

4

3

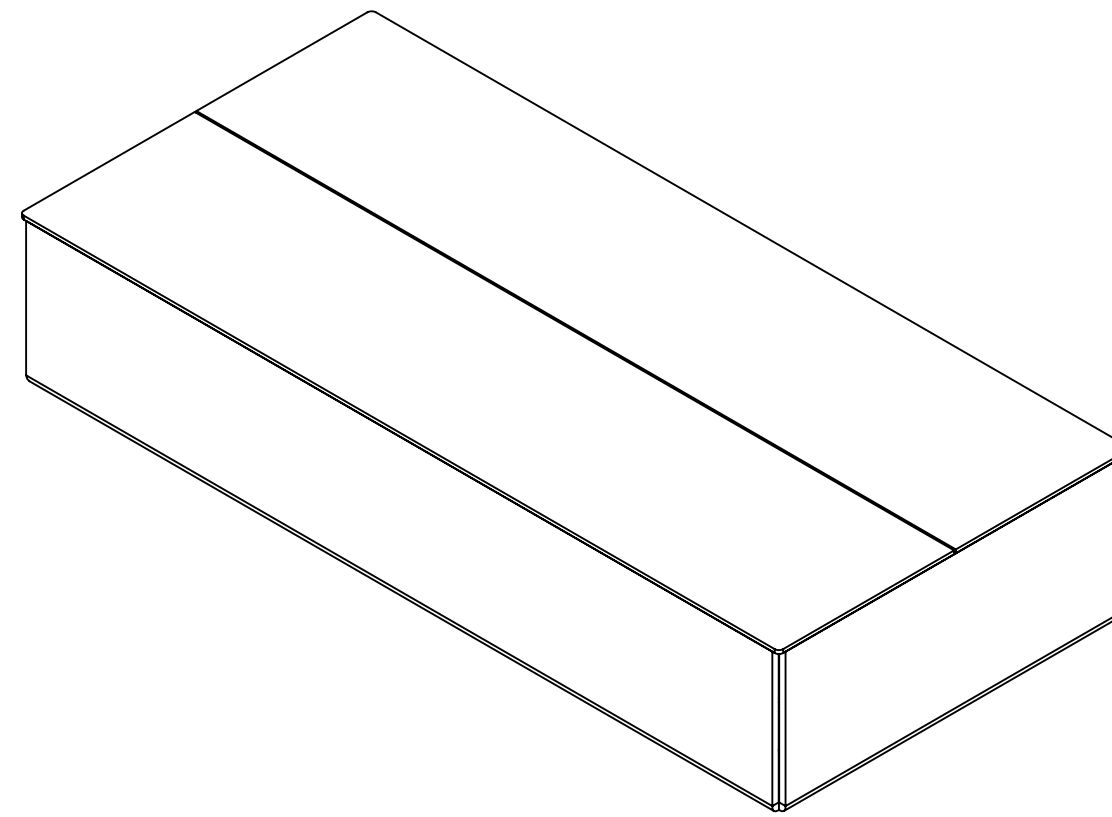
2

1

NOTES:

- 1.0 GENERAL NOTES
 - 1.1 ALL METRIC DIMENSIONS ARE IN BRACKETS [X.X]
- 2.0 DESIGN NOTES
 - 2.1 OPTIONAL BANDING SLOTS IN WOOD POLE BRACKETS. BANDING SUPPLIED BY OTHERS.
- 3.0 MANUFACTURING/SPECIAL REQUIREMENTS
 - 3.1 FITS WOOD AND METAL POLES 6"-12 OD
- 4.0 TEST
- 5.0 PACKAGING
 - 5.1 PLACE ALL LOOSE HARDWARE IN POLYBAG.
 - 5.2 INCLUDE DRAWING MTM1058PMK.

REVISIONS				
REV.	ECN	DESCRIPTION	BY	DATE
A	8000033846	INITIAL RELEASE	MSM	02/21/2029
B	8000039287	REDESIGN BKT, ITEM 1	GR1010	02/04/2020



ITEM NO.	PART NUMBER	DESCRIPTION	QTY.	NOTES
1	MTC398613A	BRACKET, POLE MOUNT, 3 HOLE	4	
2	MTM104802	PIPE CLAMP BRKT	3	
3	MT-377	3/8" x 12" GALV THREADED ROD	6	
4	GWL-03	3/8" GALV LOCK WASHER	16	5.1
5	GN-03	3/8" GALV HEX NUT	32	5.1
6	GWF-03	3/8" GALV FLAT WASHER	16	5.1
7	MTF1544.02	3/8" X 1" GALV SHORT SHANK CARRIAGE BOLT	4	5.1
8	MT37916	1/2" X 16" GALV THREADED ROD	4	
9	GWL-04	1/2" GALV LOCK WASHER	10	5.1
10	GN-04	1/2" GALV HEX NUT	10	5.1
11	GB-04145	1/2" X 1-1/2" GALV BOLT KIT	5	5.1
12	GWF-04	1/2" GALV FLAT WASHER	5	5.1
13	DOCUMENT RECORD	INSERT DRAWING MTM1058PMK	1	5.2



DENSITY		lbs/in ³
MASS	27.83	lbs
VOLUME	209.93	in ³
SURFACE AREA	2768.81	in ²
HEIGHT	4	
LENGTH	22	
WIDTH	10	

© 2019 CommScope, Inc.

COMMSCOPE, INC. OF NORTH CAROLINA										
TOLERANCES					SAP MATERIAL MASTER					
1 PLACE .X ± .2		3 PLACE .XXX ± 0.063			MTM1058PMK					
2 PLACE .XX ± .13		ANGLES ± 0.5°								
FINISH N/A					MATERIAL N/A					
UNLESS OTHERWISE SPECIFIED DIMENSIONS ARE IN INCHES INTERPRET PER ANSI Y 14.5M-1994	CE	MMCFALL	DATE	PT18 SHORT, POLE MTG HARDWARE KIT						
	RW	GR1010	03/05/2020							
	RV									
	AD	JP1130	03/06/2020							
	RE	GR1010	03/06/2020							
ECN 008000039287				SCALE	DOCUMENT NO.					
				1:4	MTM1058PMK					
SIZE	WORK AREA	24	MODEL			DRAWING				SHEET 1 OF 3
C		VERSION	STATUS	REVISION	VERSION	STATUS	REVISION			
		03	RE	C	03	RE	B			

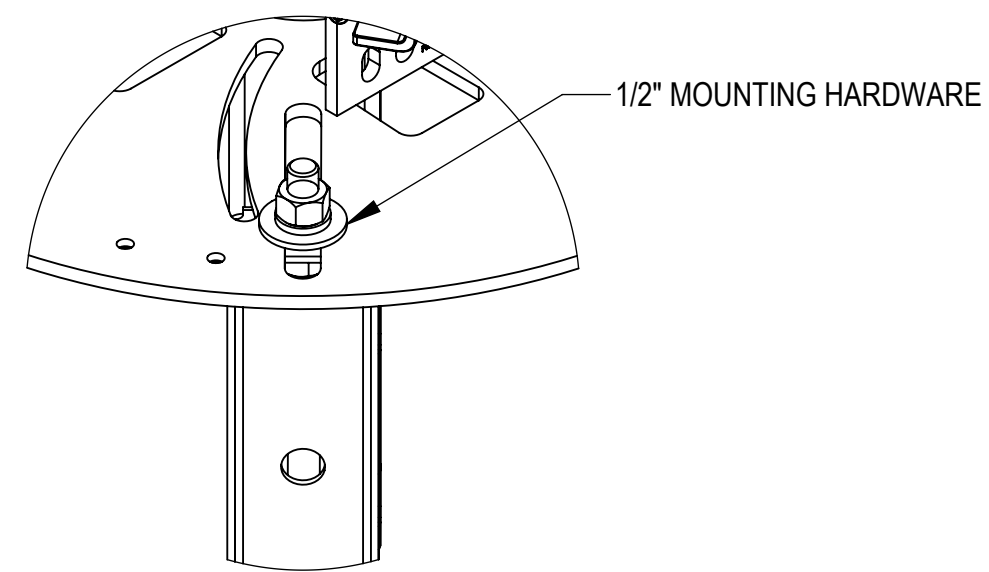
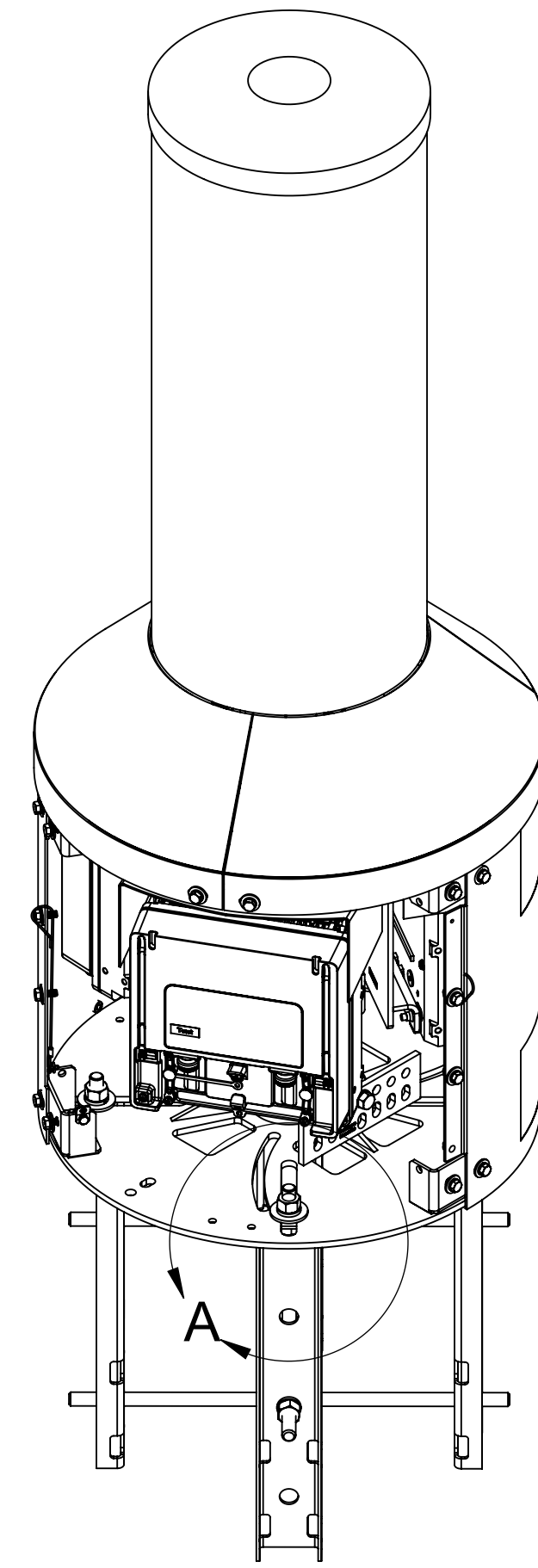
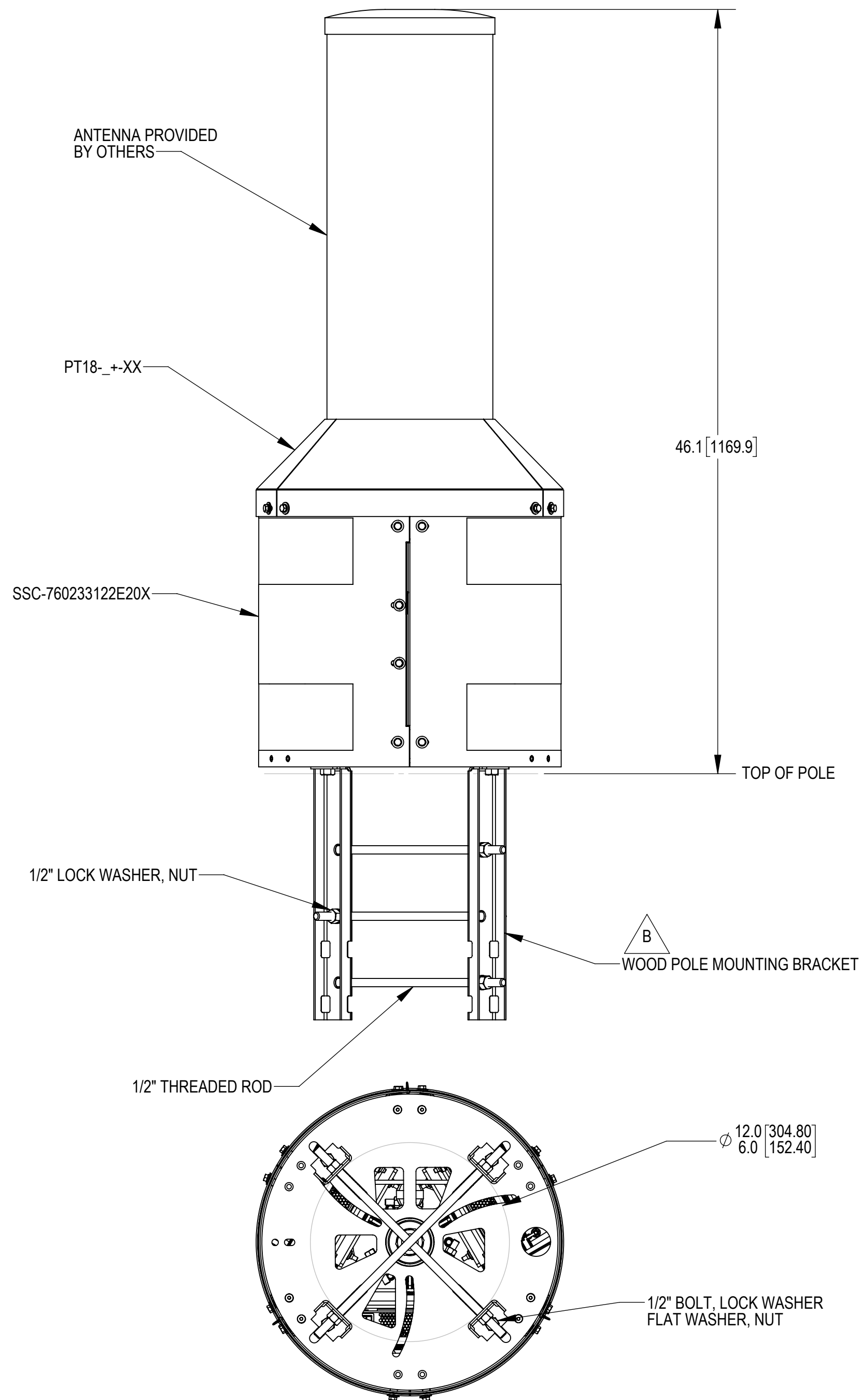
4

3

2

1

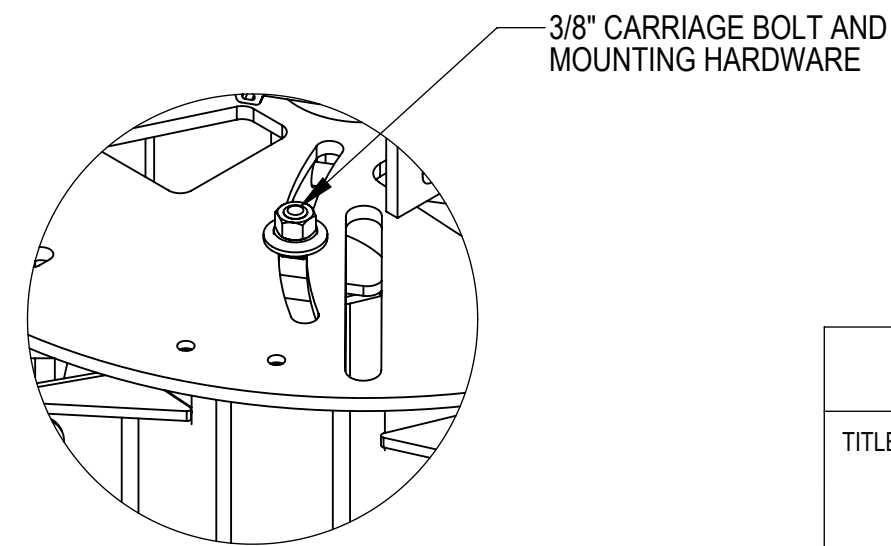
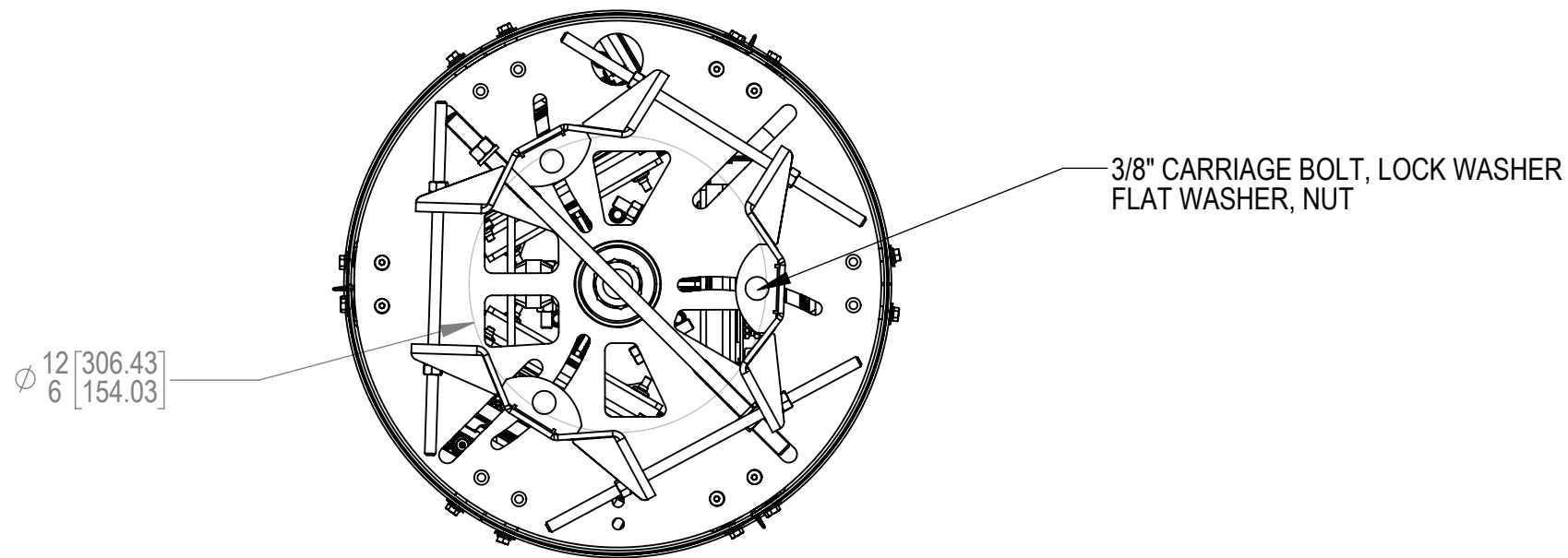
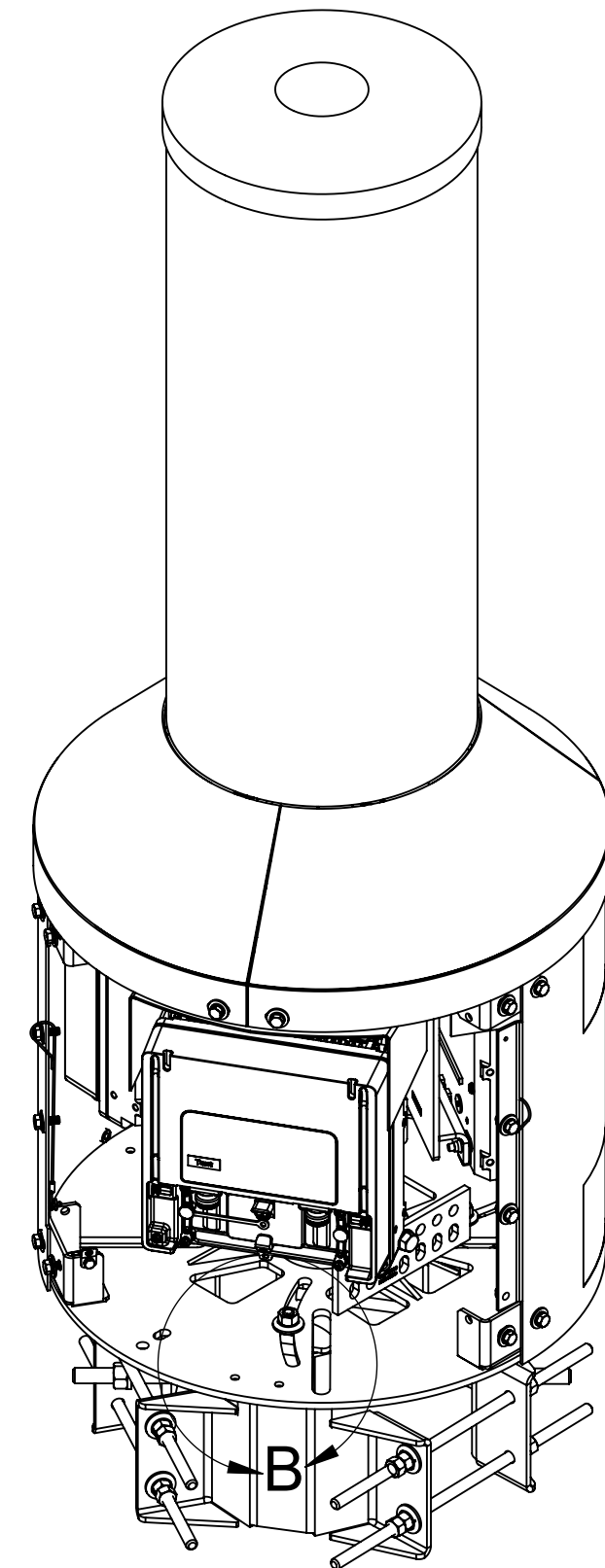
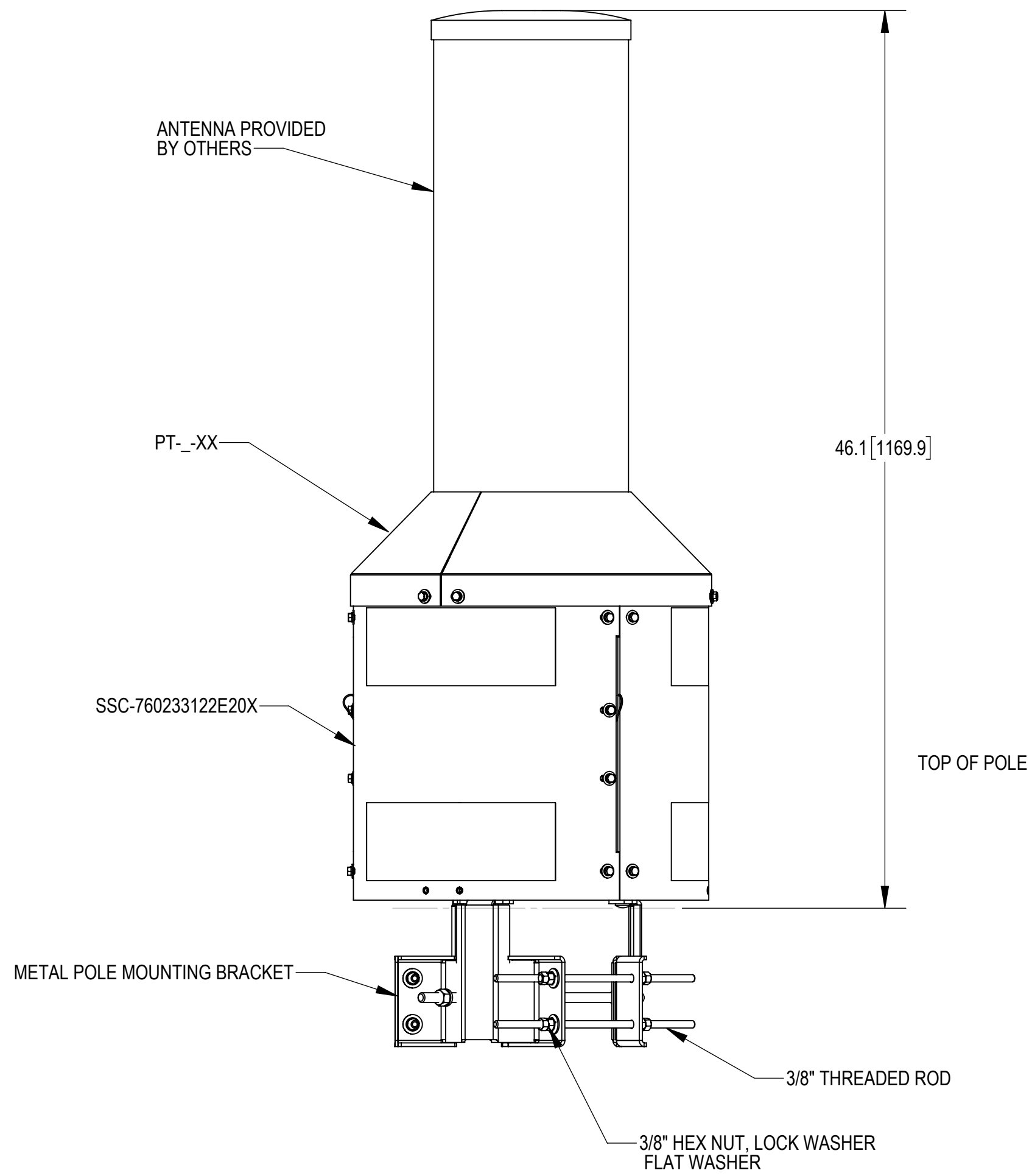
WOOD POLE SET-UP



DETAIL A
SCALE 1:3

COMMSCOPE, INC. OF NORTH CAROLINA				
TITLE PT18 SHORT, POLE MTG HARDWARE KIT				
SIZE C	SCALE 1:6	DOCUMENT NO. MTM1058PMK		
		DRAWING		SHEET
		VERSION 03	STATUS RE	REVISION B
				2 OF 3

METAL POLE SET-UP



DETAIL B
SCALE 1 : 3

COMMSCOPE, INC. OF NORTH CAROLINA				
TITLE PT18 SHORT, POLE MTG HARDWARE KIT				
SIZE C	SCALE 1:6	DOCUMENT NO. MTM1058PMK		
		DRAWING		SHEET
		VERSION 03	STATUS RE	REVISION B
				3 OF 3

4

3

2

1

D

D

ANTENNA PROVIDED BY OTHERS

ANTENNA PROVIDED BY OTHERS

46.5 [1181.1]

46.5 [1181.1]

POLE TOP

POLE TOP

2

2

1

1

3

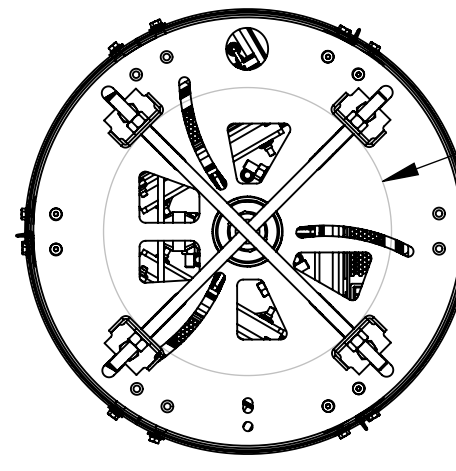
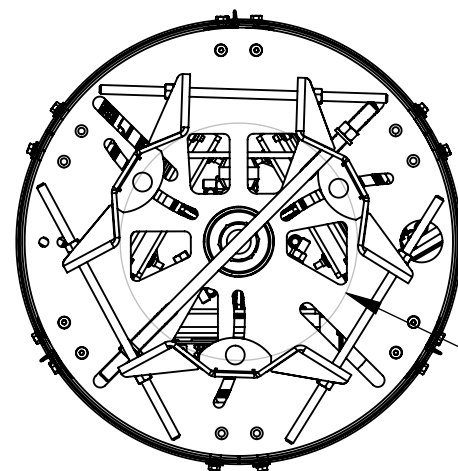
3

C

C

B

B



$\phi 12.0$ [304.81]
6.0 [152.41]

$\phi 12.0$ [304.80]
6.0 [152.40]

A

A

COMMSCOPE, INC. OF NORTH CAROLINA

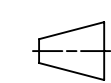
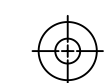
TITLE

PT18,ERC UPTO 3 220X,H-MNT

SIZE
C

SCALE
1:8

DOCUMENT NO.
SSC-760233122E24X



DRAWING			SHEET 2 OF 2
VERSION	STATUS	REVISION	
05	RE	D	

© 2020 CommScope, Inc.

4

3

2

1

