

1. GENERAL NOTES

- 1.1 ALL METRIC DIMENSIONS ARE IN BRACKETS [X.X]
- 1.2 FEATURES CRITICAL TO QUALITY ARE INDICATED IN ROUNDED BOX $\boxed{\text{X}}$

2. DESIGN NOTES

2.#. THE FINISHED ITEM IS A SERIES ASSEMBLY. A -XX FINISH SUFFIX DESIGNATES A PRODUCT PART NUMBER THAT REPRESENTS SPECIFIC COLOR/FINISH. REFER TO METROCELL DOCUMENT MTM1004 FOR SPECIFIC COLOR REQUIREMENTS

3. MANUFACTURING/SPECIAL REQUIREMENTS

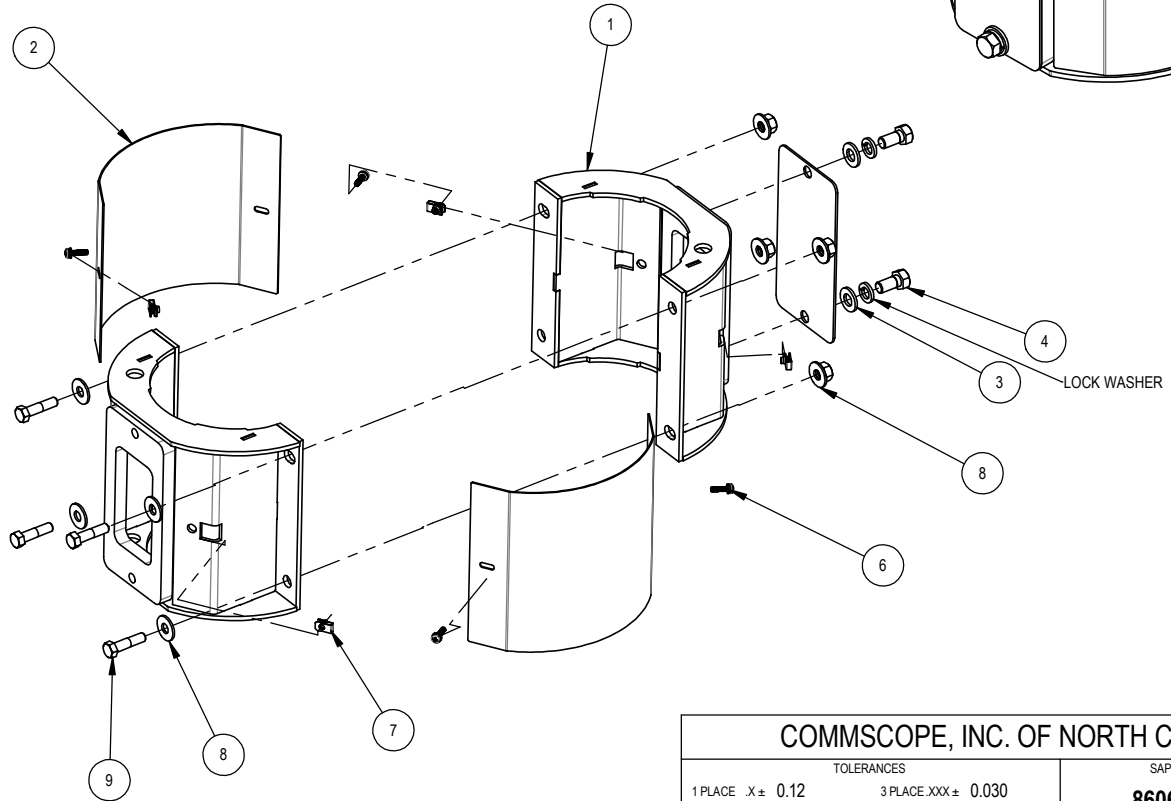
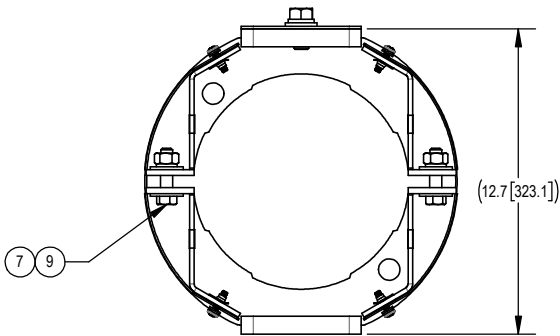
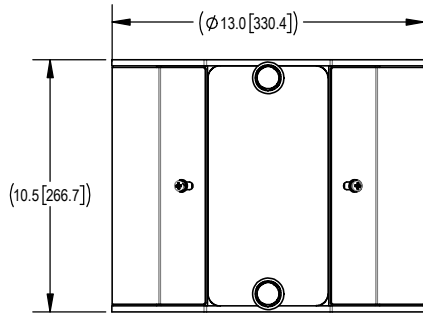
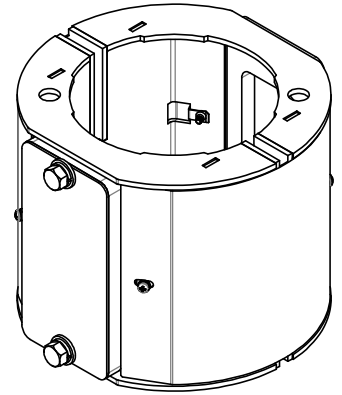
- 3.# "ANTI-SEIZE" SHALL BE USED ON ALL STAINLESS TO STAINLESS HARDWARE CONNECTIONS
- 3.# "NO-OX" SHALL BE USED ON ALL CHASSIS TO GROUND CABLE CONNECTIONS
- 3.# DO NOT TORQUE DOOR HARDWARE, ONLY SNUG TO SEAT
- 3.# TORQUE HARDWARE ACCORDING TO SIZE AS NOTED BELOW.
 - > M6X1.0: TORQUE 40 IN-LB
 - > 1/2-13: TORQUE 12 FT-LB

4. TESTING

5. PACKAGING

- 5.1 PACKAGING SHALL MEET COMMSCOPE REQUIRMENTS PER DOCUMENT IS-PL-3005
- 5.2 ITEMS NOTED WILL BE INCLUDED INSIDE OF HARDWARE KIT, ITEM 10

REVISIONS			
REV	DESCRIPTION	ECN	APPROVED
A	NEW RELEASED	8000042913	



ITEM NO.	PART NUMBER	DESCRIPTION	QTY.	NOTES
1	MTM1124-1520-XX	WLDMNT CLAMP-ON 8.6 IN SERIES	2	
2	MTM1124-1591-XX	COVER SEMI-WRAP 4 CLAMP-ON 8 SERIES	2	
3	GWFF05A	GALV FLAT WASHER HARDENED 5/8", 1.30D	2	
4	GB-05125	5/8" X 1-1/4" GALV BOLT KIT	2	
5	MTC399920-XX	PLATE. STREET LIGHT ARMS COVER	1	
6	100117-4	FA,SEMS,PH,XRES,M6X25,SST,PASS	4	5.2
7	460143456	CLIP NUT, 316 SST ALLOY	4	5.2
8	GWFF-04	1/2" GALV FLAT WASHER	8	5.2
9	GB-0420A	1/2" X 2" GALV BOLT KIT (A325)	4	5.2
10	MTM00HK-0018	KIT, HDW 1/2"X2.0" A325 + FLATS (4/8)	1	5.2

	UNIT	VALUE
DENSITY	lbs/in ³	30.65
MASS	lbs	172.45
VOLUME	in ³	1984.61
SURFACE AREA	in ²	
HEIGHT		13.0
LENGTH		12.6
WIDTH		10.5

COMMSCOPE, INC. OF NORTH CAROLINA

TOLERANCES		SAP MATERIAL MASTER																
1 PLACE .X ± 0.12	3 PLACE .XXX ± 0.030	860655390-8-XX																
2 PLACE .XX ± 0.06	ANGLES ± 2°																	
FINISH SEE NOTES		MATERIAL SEE BOM																
UNLESS OTHERWISE SPECIFIED DIMENSIONS ARE IN INCHES INTERPRET PER ANSI Y 13.1M-1994		NAME	DATE															
<table border="1"> <tr> <td>CE</td> <td>HDAI</td> <td>18SEP2020</td> </tr> <tr> <td>RW</td> <td></td> <td></td> </tr> <tr> <td>RV</td> <td></td> <td></td> </tr> <tr> <td>AD</td> <td></td> <td></td> </tr> <tr> <td>RE</td> <td></td> <td></td> </tr> </table>		CE	HDAI	18SEP2020	RW			RV			AD			RE			TITLE CLAMP-ON 4 LUMINAIRE ARM 8.625 IN SERIES	
		CE	HDAI	18SEP2020														
		RW																
		RV																
		AD																
RE																		
ECN 008000042913		SCALE 1:3	DOCUMENT NO. 860655390-8-XX															
SIZE	WORK AREA	24	MODEL															
C	VERSION	00	STATUS															
	REVISION	IW	REVISION															
DRAWING		VERSION	STATUS															
		00	IW															
		A	A															
			SHEET															
			1 OF 1															