

## NOVUX™ Fiber Optic System SEC 100 Splice Application

### About this manual

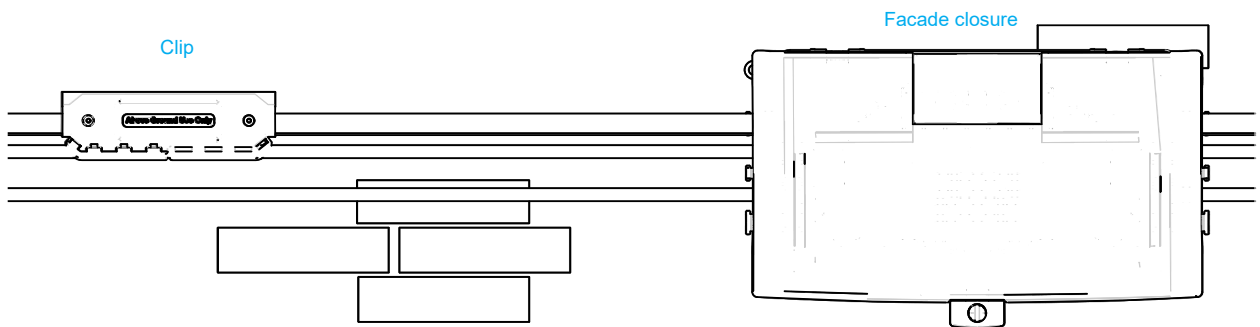
This installation instructions document describes the installation of the SEC 100 Splice Application. The document starts with providing an overview of the tools required to perform the installation. Also warnings and cautions are indicated, which should be observed before starting the product installation.

Following installation steps are covered in this document: closure preparation, organizer preparation, feeder cable preparation and installation, drop cable preparation and installation, routing towards and on the trays, splicing, closing the closure and mounting the closure.

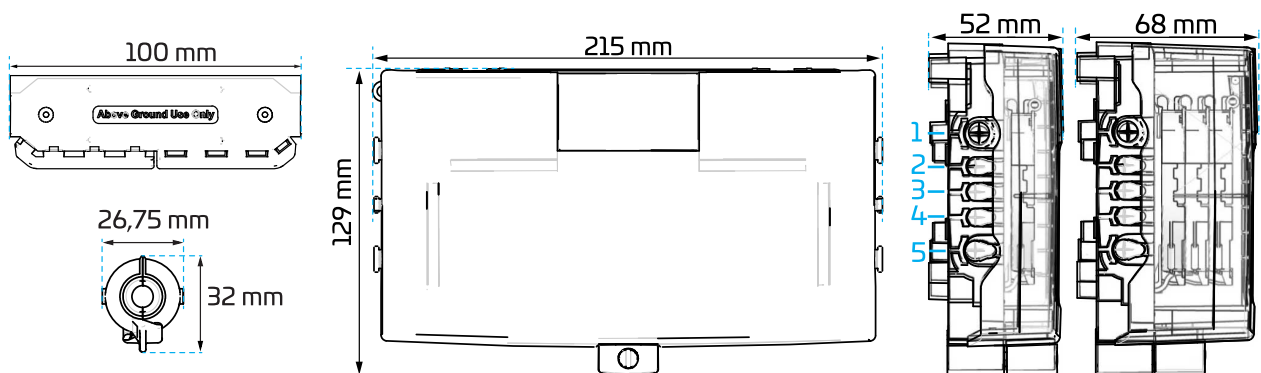
Images in this manual are for reference only and are subject to change.

### General product information

#### System overview



### Dimensions



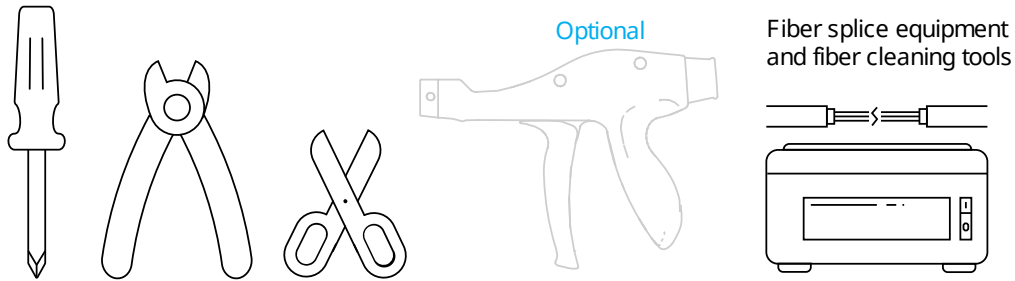
### Cable range

Position	Cable diameter range
1, 5(turn seal)	8-12 mm
2, 3, 4	up to 7 mm

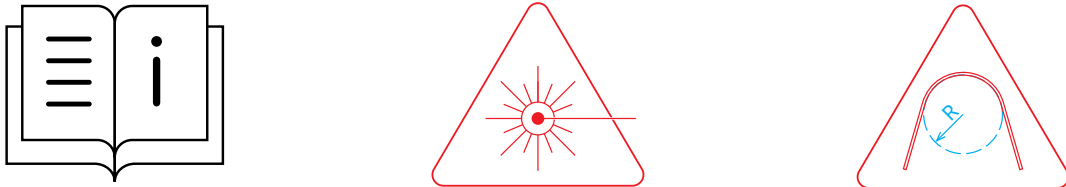
# Contents

<b>1 Tools.....</b>	<b>3</b>	5.5 Install drop cable.....	9
<b>2 Warnings and Cautions.....</b>	<b>3</b>	5.6 Splice application.....	12
<b>3 Kit contents and accessories.....</b>	<b>3</b>	<b>6 Cable to cable application.....</b>	<b>13</b>
<b>4 Closure preparation.....</b>	<b>4</b>	6.1 Prepare cable (Ø 9 mm).....	13
4.1 Open closure.....	4	6.2 Route to tray.....	14
4.2 Lock cover and locate fiber guidance pen.....	4	6.3 Routing on tray.....	14
4.3 Remove the closure cover.....	4	6.4 Make splice.....	15
4.4 Remove tray.....	4	6.5 Use bottom port.....	15
<b>5 Inline applications.....</b>	<b>5</b>	<b>7 Reinstall tray cover.....</b>	<b>15</b>
5.1 Feeder cable preparation.....	5	<b>8 Reinstall closure cover.....</b>	<b>15</b>
5.2 Position closure on the cable.....	6	<b>9 Lock the closure.....</b>	<b>16</b>
5.3 Mount the closure.....	7	<b>10 Trade-marks.....</b>	<b>17</b>
5.4 Feeder cable installation.....	8	<b>11 Contact information.....</b>	<b>17</b>

## 1 Tools



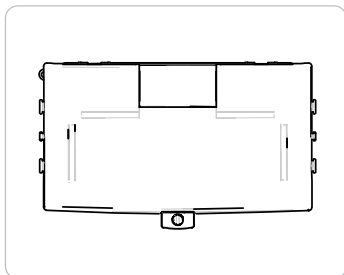
## 2 Warnings and Cautions



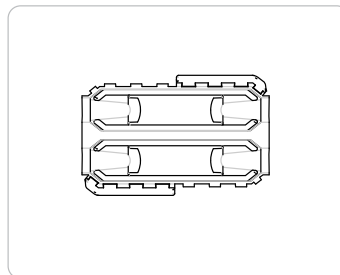
- Follow the installation instruction steps to ensure the performance of the closure. It is necessary to take precautions and keep the working space clean to protect the closure sealing materials and splices.
- Exposure to laser radiation can seriously damage the retina of the eye. Do not look into the ends of any optical fiber. Do not assume the laser power is turned off or that the fiber is disconnected at the other end. Looking into the ends of any optical fiber is entirely at your own risk. A protective cap or hood **MUST** be immediately placed over any radiating adapter or optical fiber connector to avoid the potential of dangerous amounts of radiation exposure. This practice also prevents dirt particles from entering the connector and adapter.
- Fiber optic cables may be damaged if bent or curved to a radius that is less than the recommended minimum bend radius. Always observe the recommended bend radius limit when installing fiber optic cables, subunits and patch cords.

## 3 Kit contents and accessories

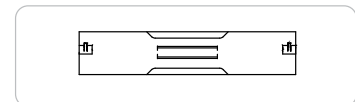
Kit contents facade closure



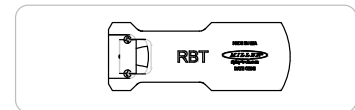
Kit contents clip



Accessory 1: cable holder

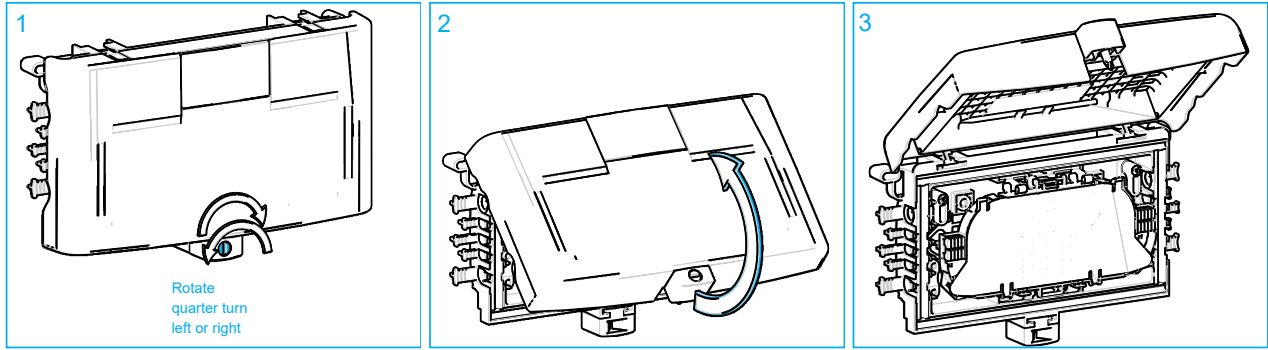


Accessory 2: shaving tool

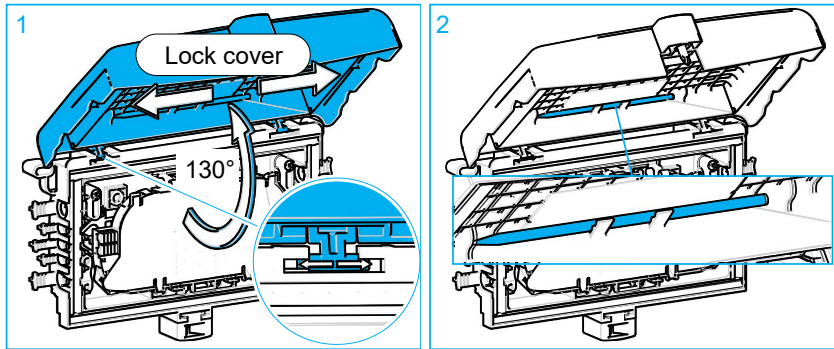


## 4 Closure preparation

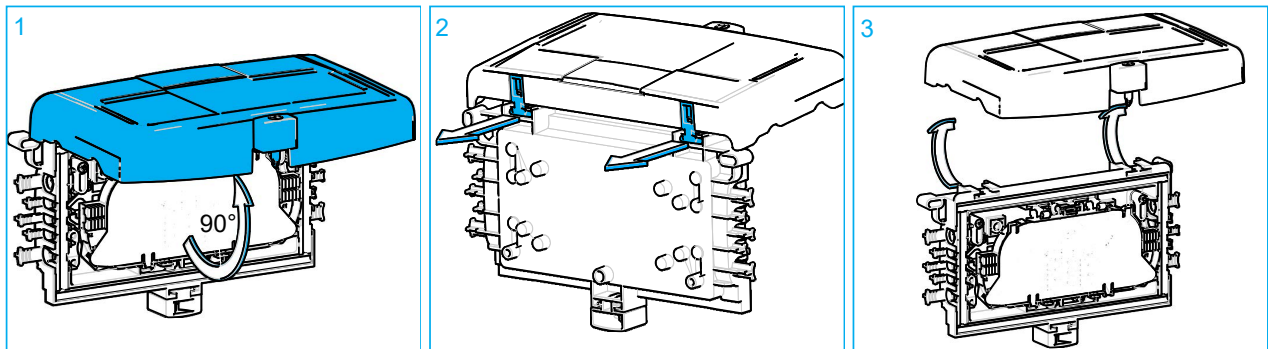
### 4.1 Open closure



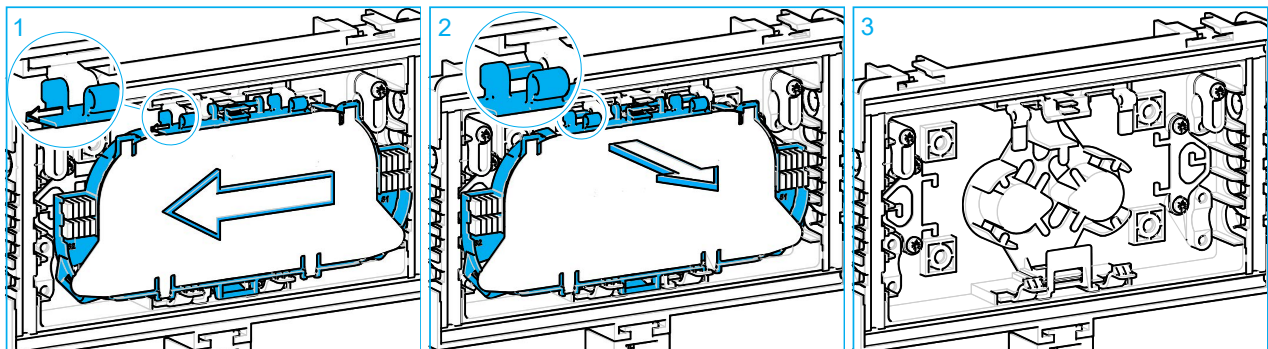
### 4.2 Lock cover and locate fiber guidance pen



### 4.3 Remove the closure cover



### 4.4 Remove tray

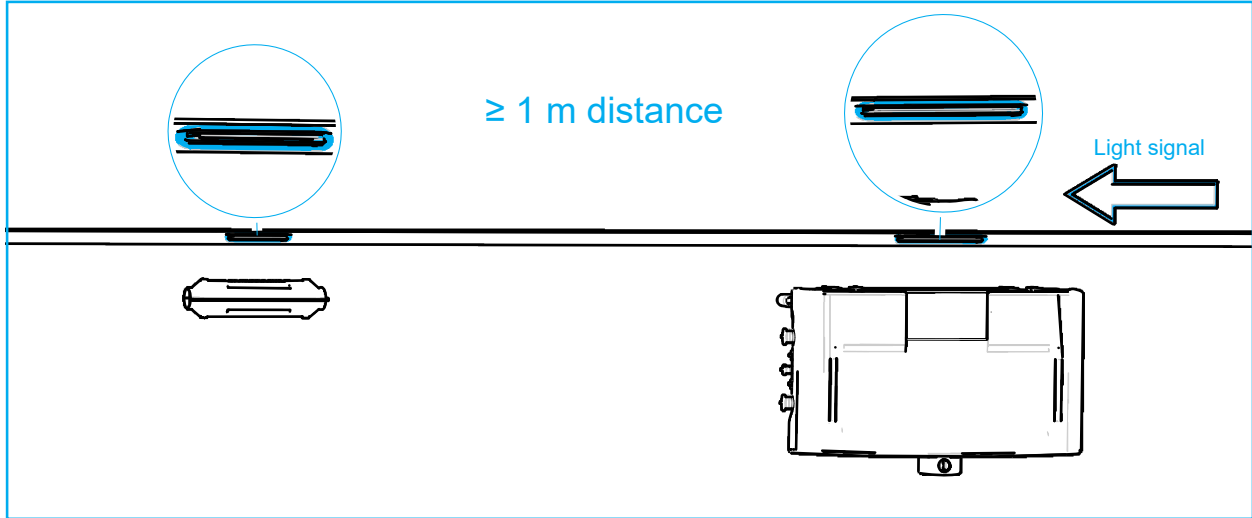




## 5 Inline applications

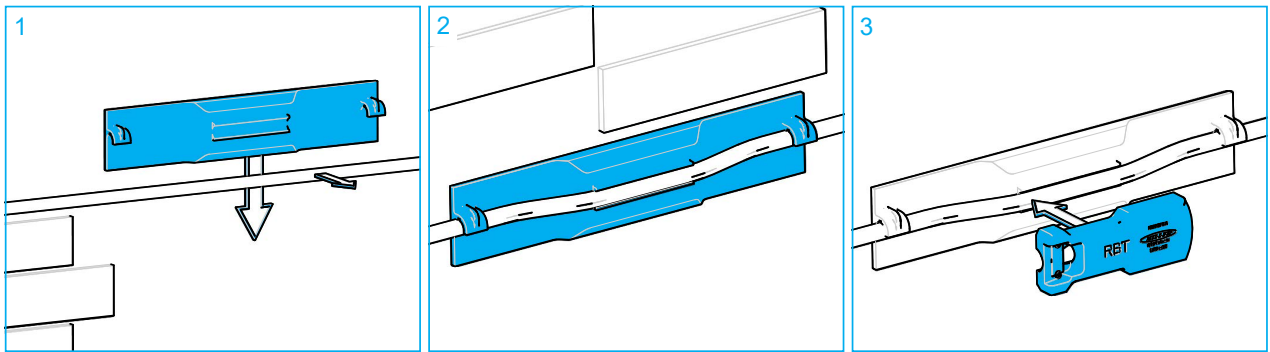
### 5.1 Feeder cable preparation

#### 5.1.1 Window cut

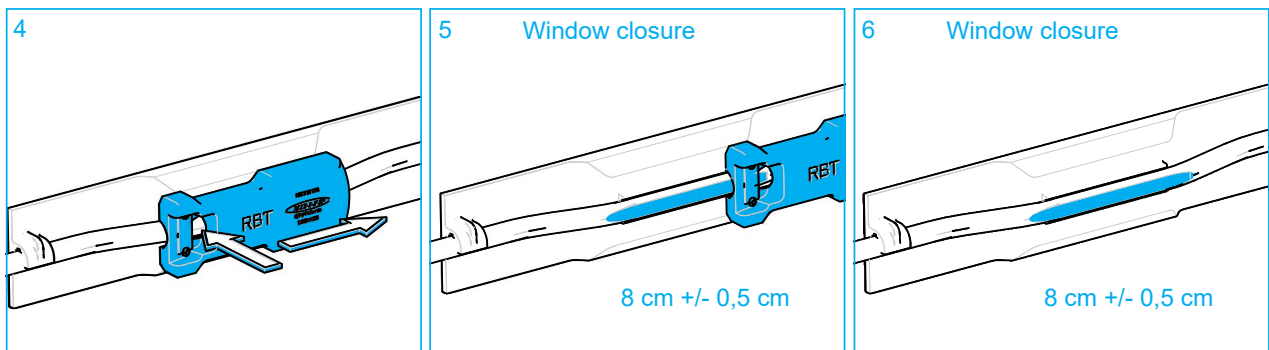


#### 5.1.2 Shave cable

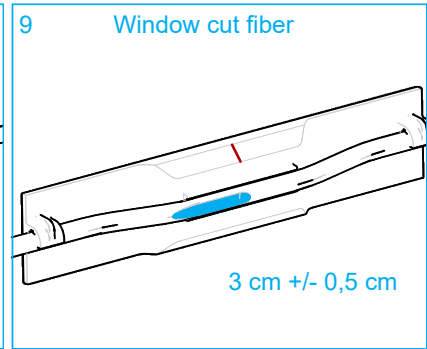
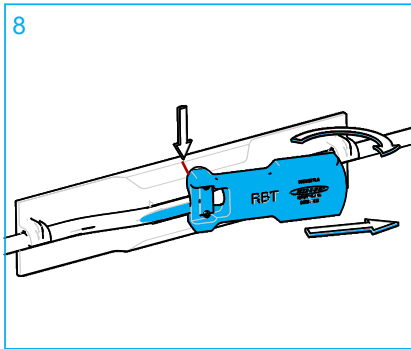
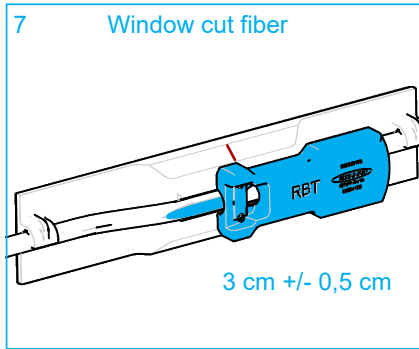
1 Install cable holder.



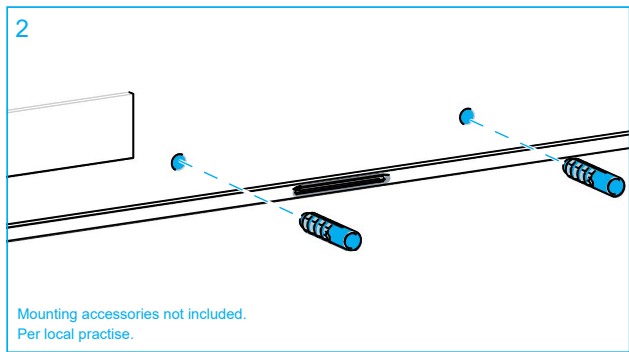
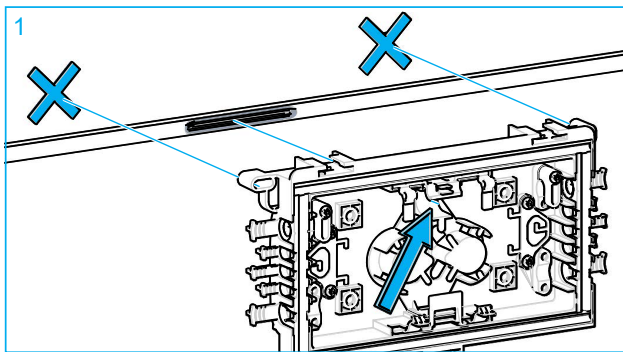
2 Make opening in the cable over the complete length of the cable holder (8 cm +/- 0,5 cm).



- 3 Make second opening, at minimum 1 m distance of the existing opening, until mark on the cable holder (3 cm +/- 0,5 cm).

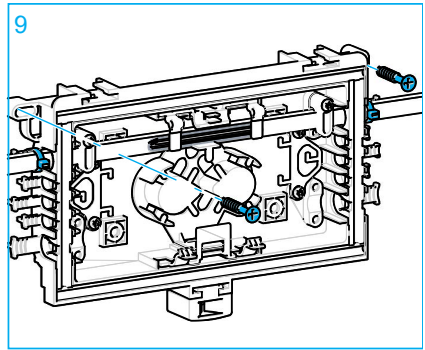
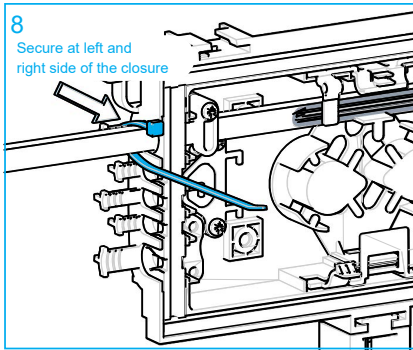
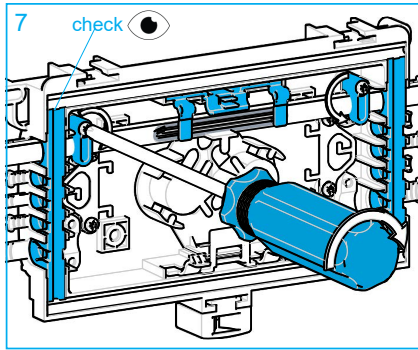
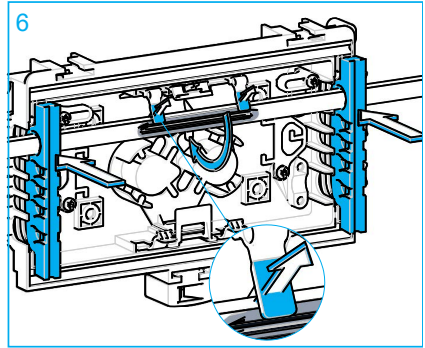
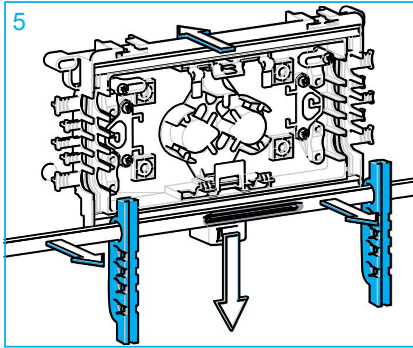
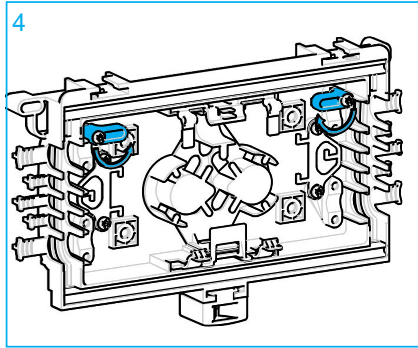
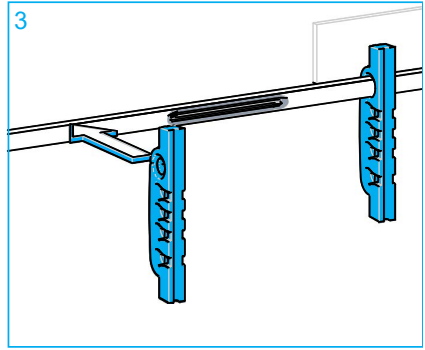
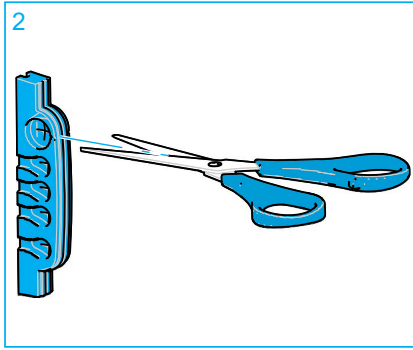
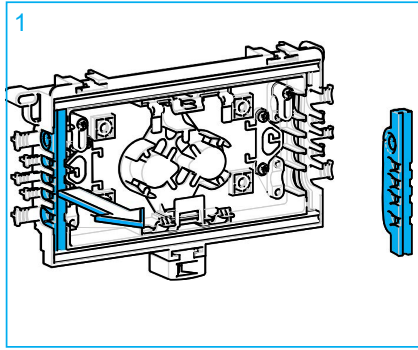


## 5.2 Position closure on the cable



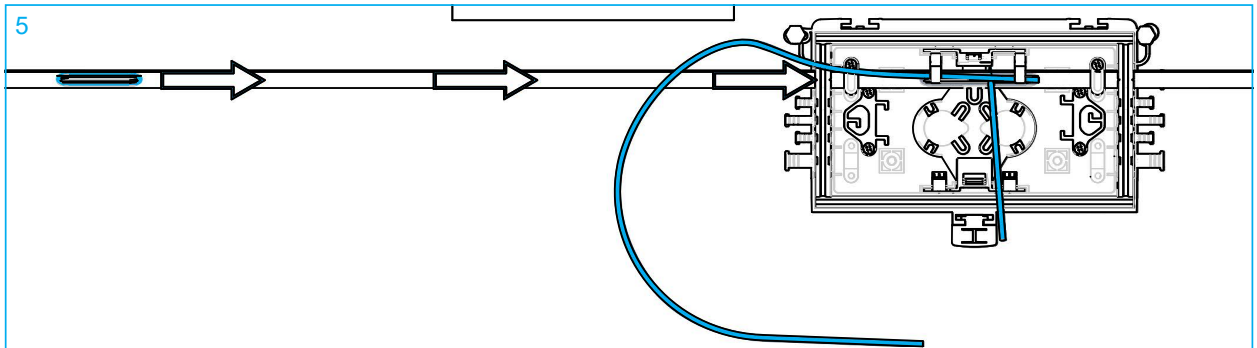
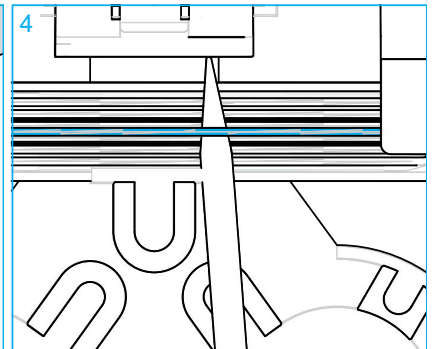
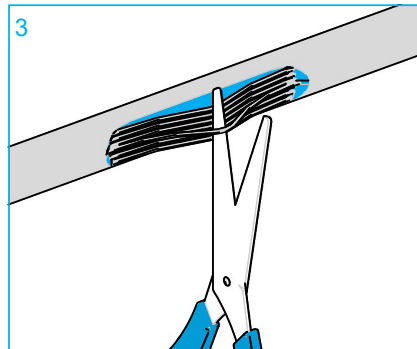
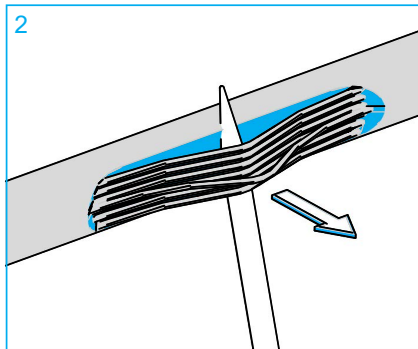
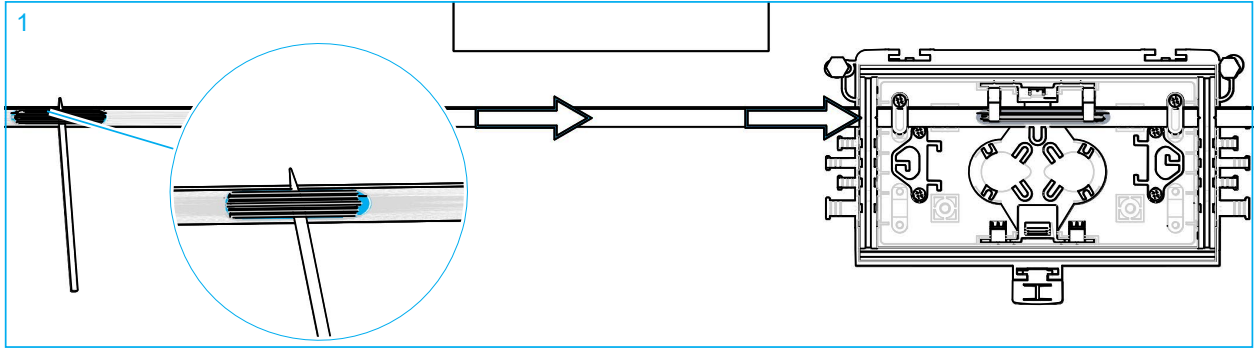
### 5.3

### Mount the closure

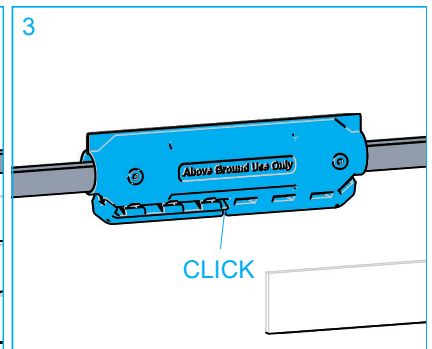
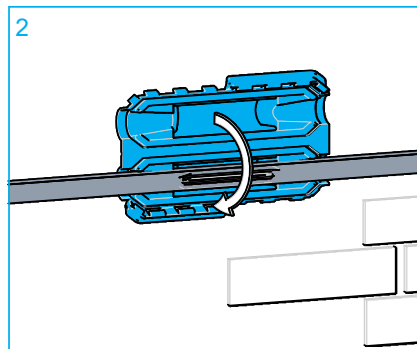
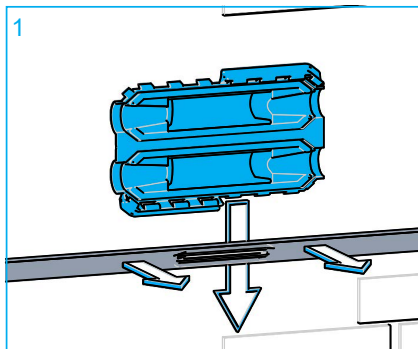


## 5.4 Feeder cable installation

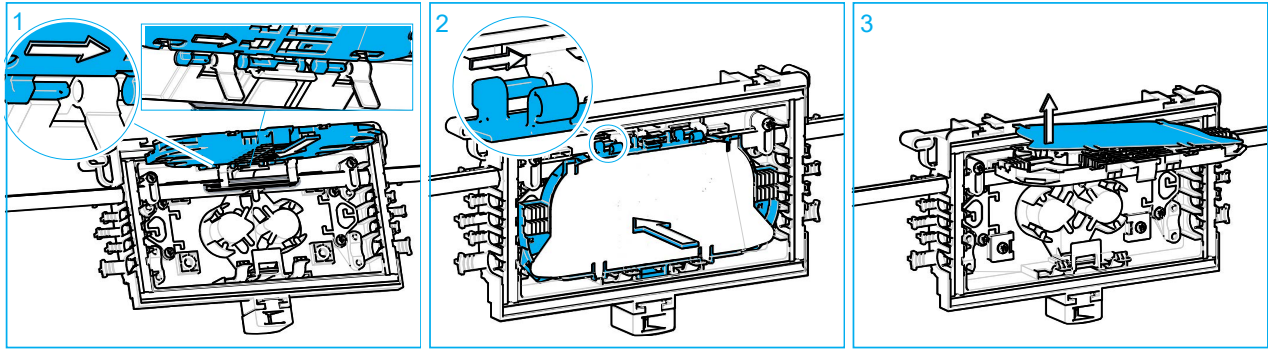
### 5.4.1 Pull back fibers



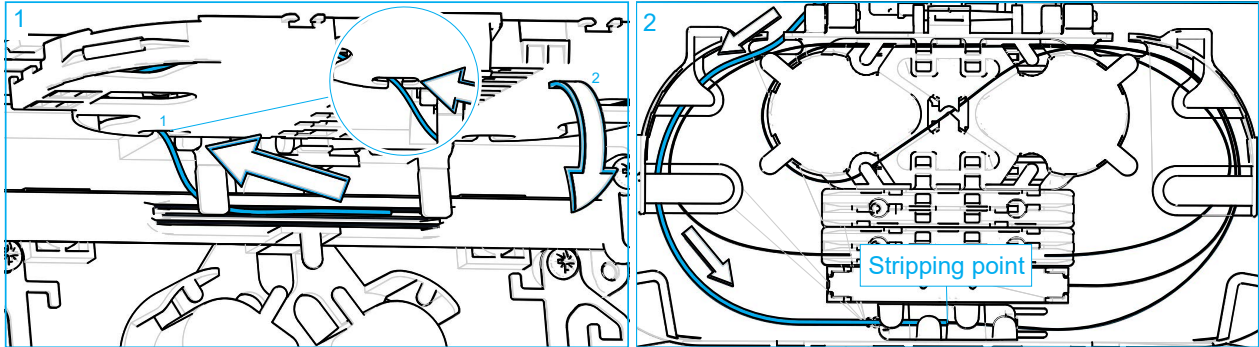
### 5.4.2 Protect window to cut fiber



### 5.4.3 Reinstall tray

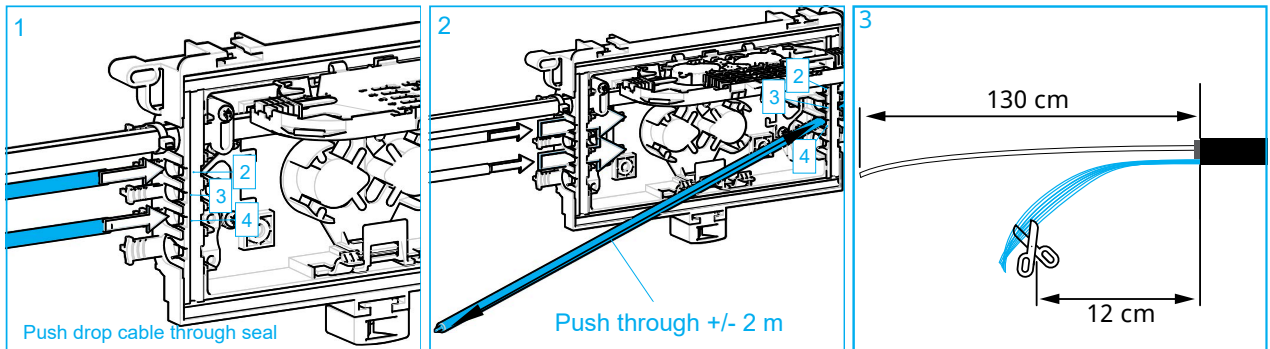


### 5.4.4 Route feeder fibers to splice tray



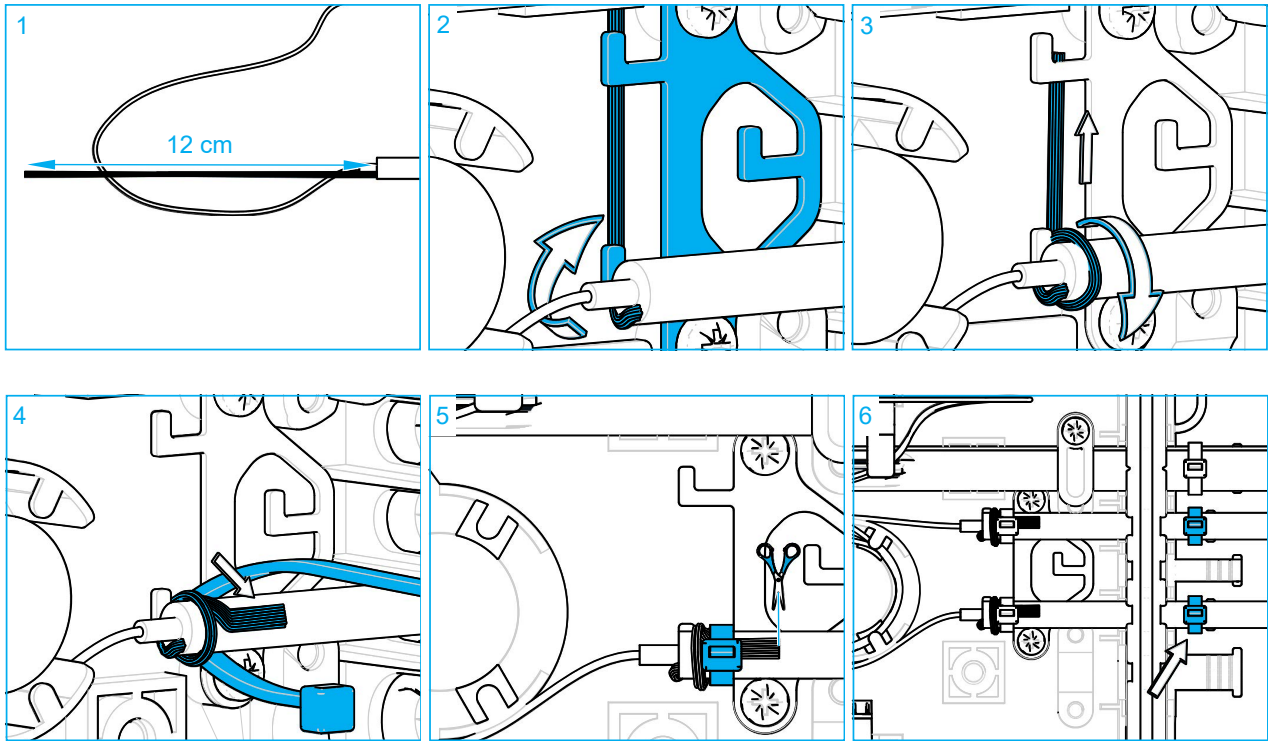
## 5.5 Install drop cable

### 5.5.1 Install drop cables

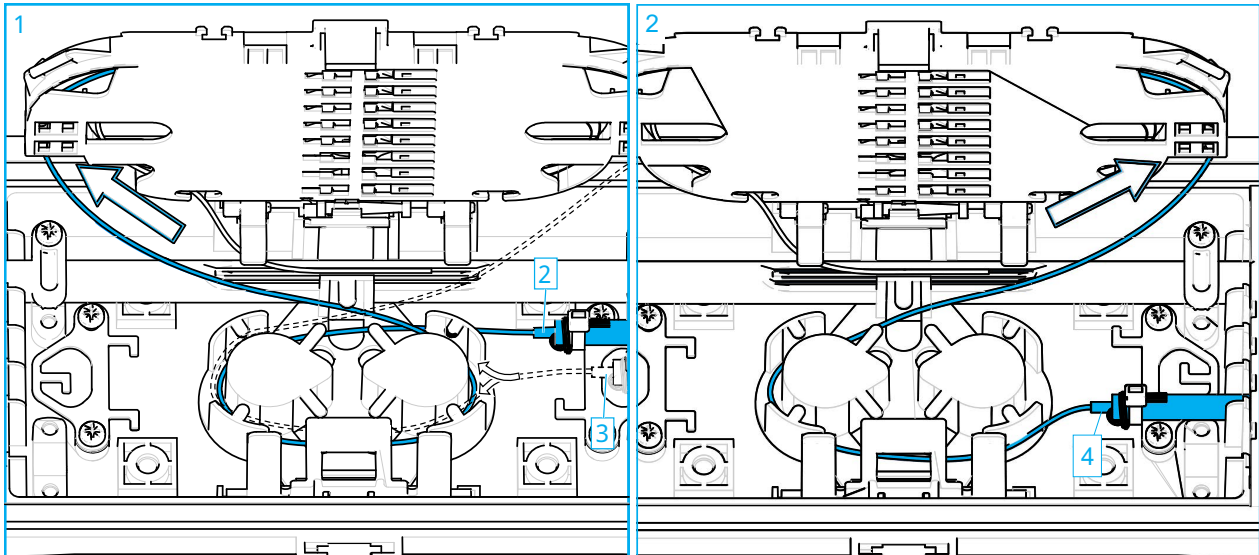


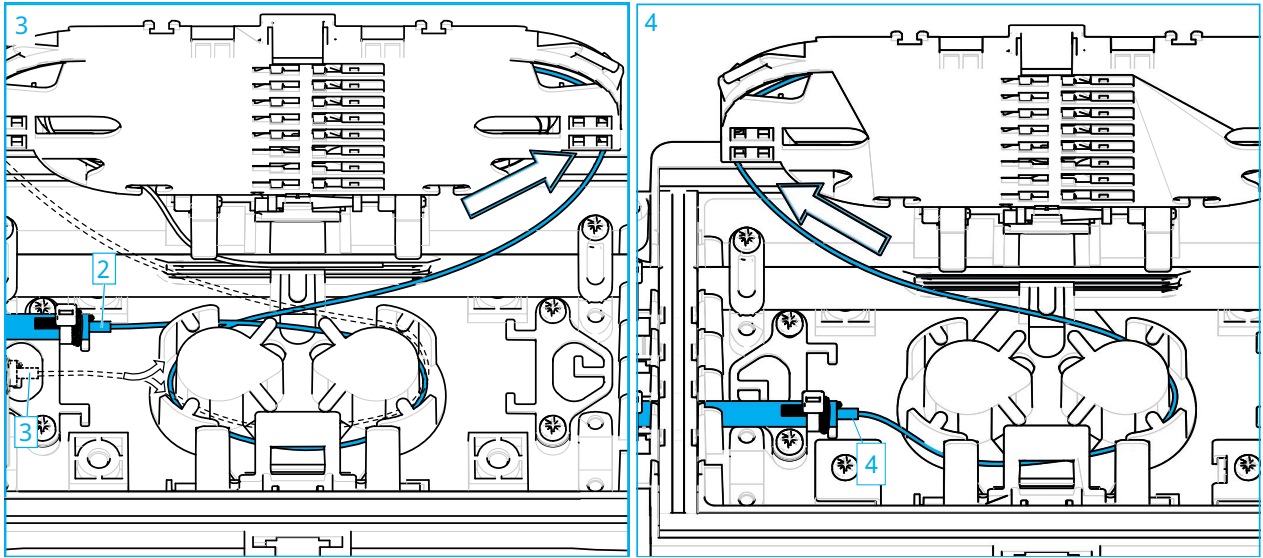


### 5.5.2 Secure aramid yarn

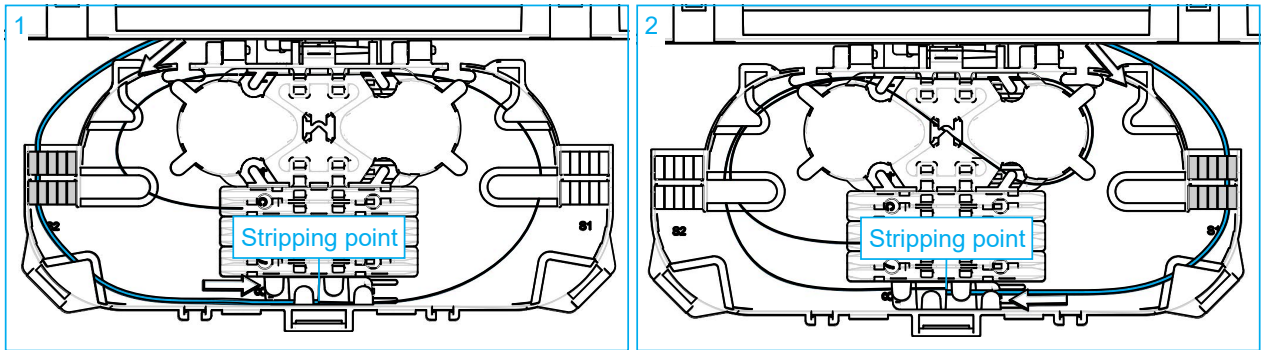
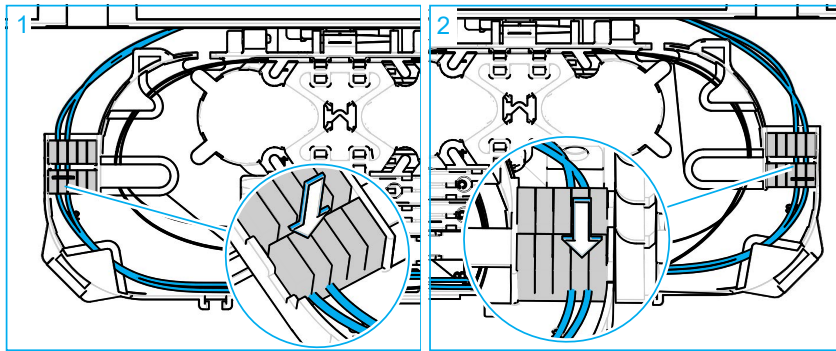


### 5.5.3 Route drop cables to tray





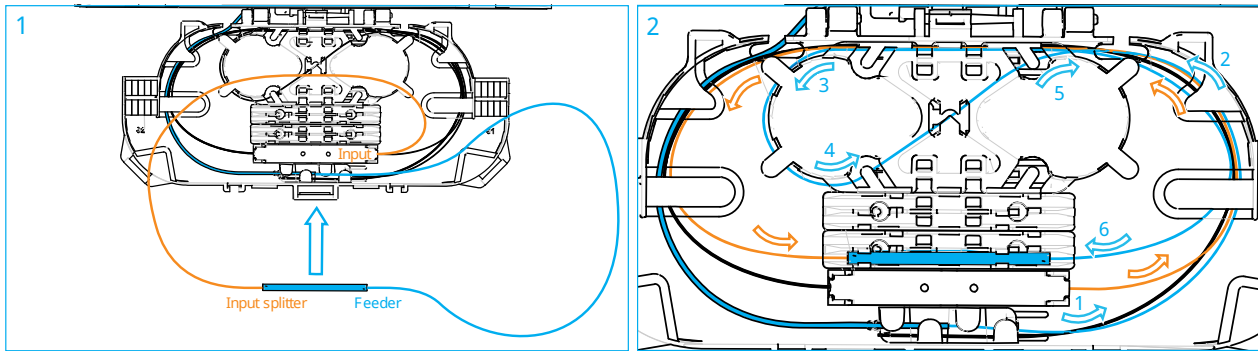
**5.5.4 Routing on tray**



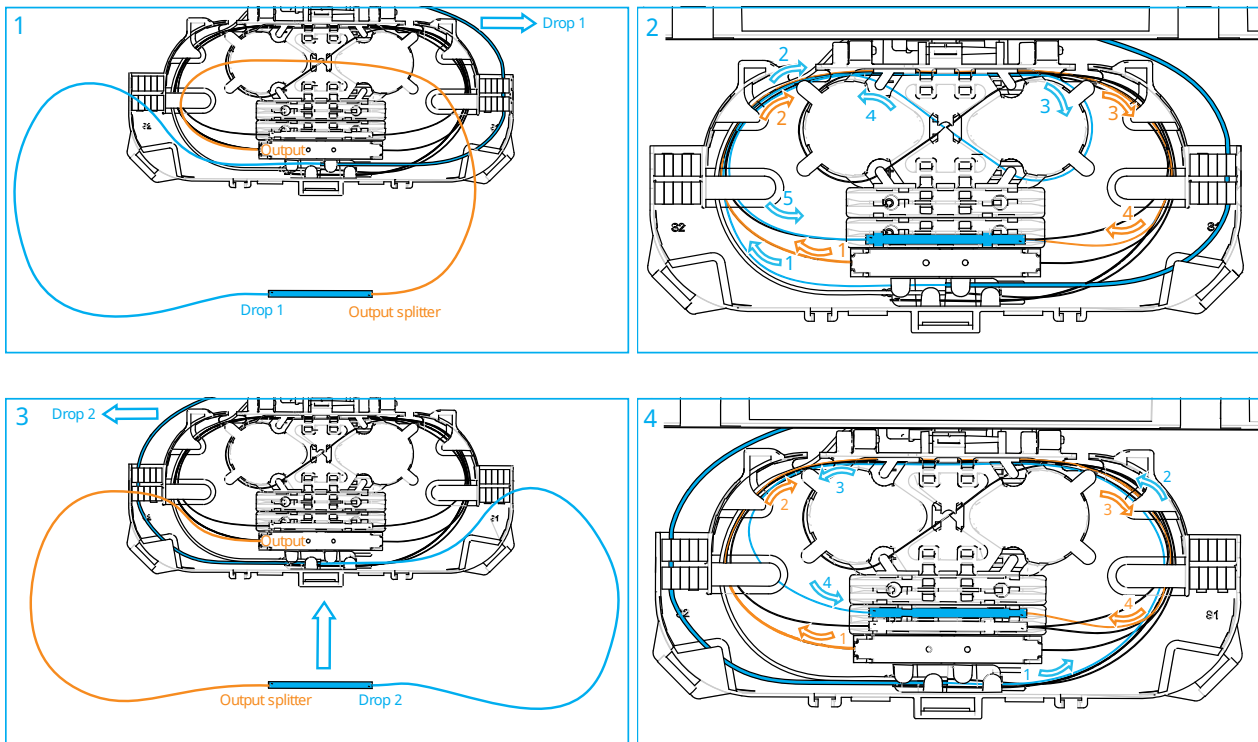
## 5.6 Splice application

### 5.6.1 Splitter application

#### 5.6.1.1 Splice feeder to input splitter

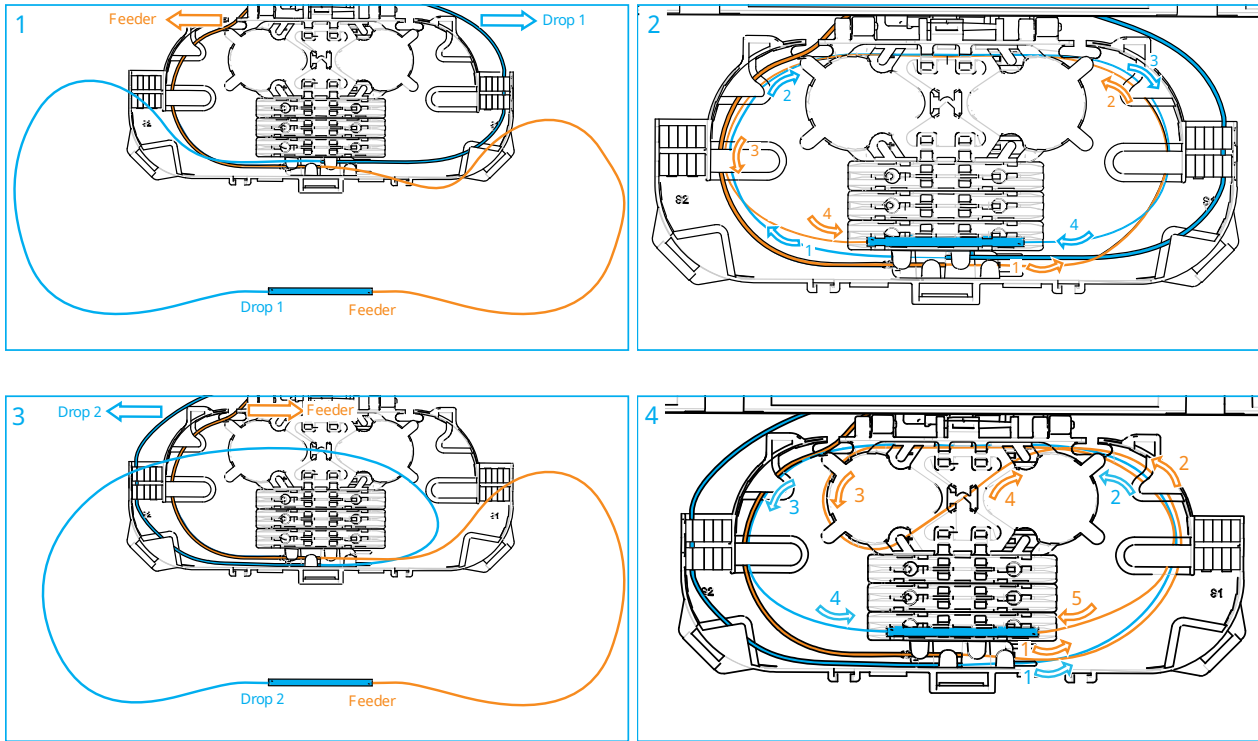


#### 5.6.1.2 Splice drop to output splitter



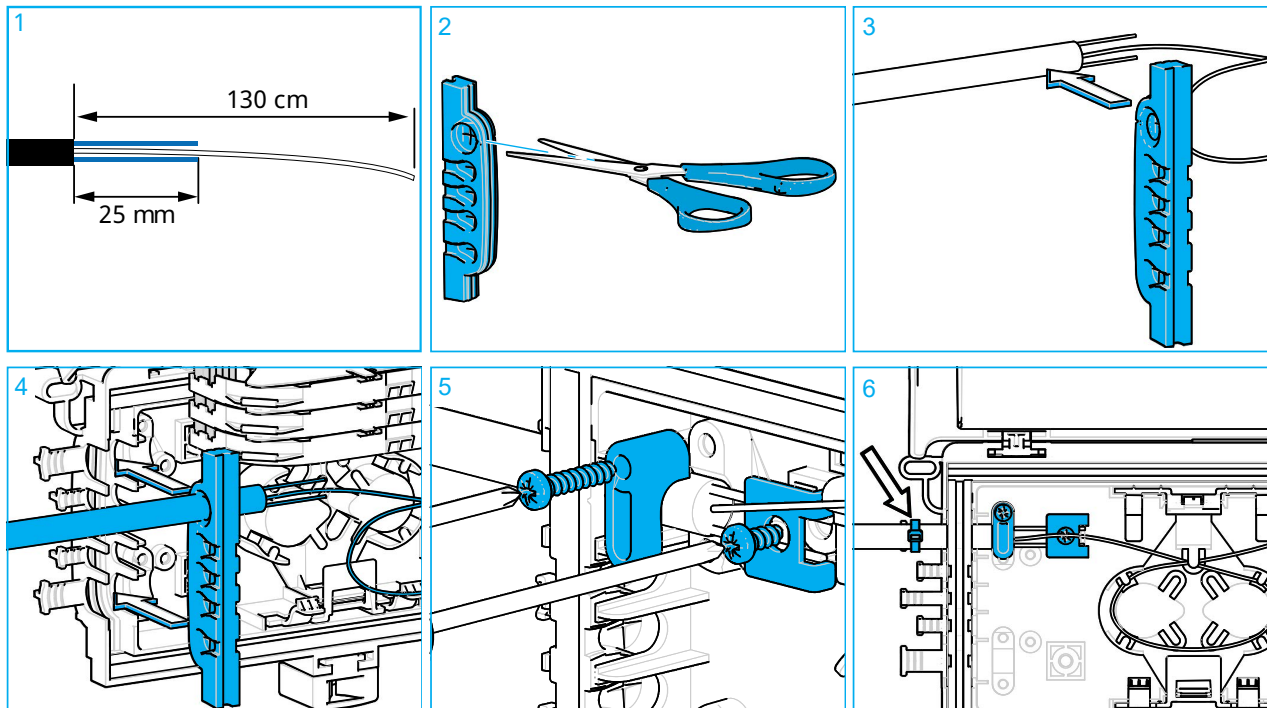



## 5.6.2 Direct connection



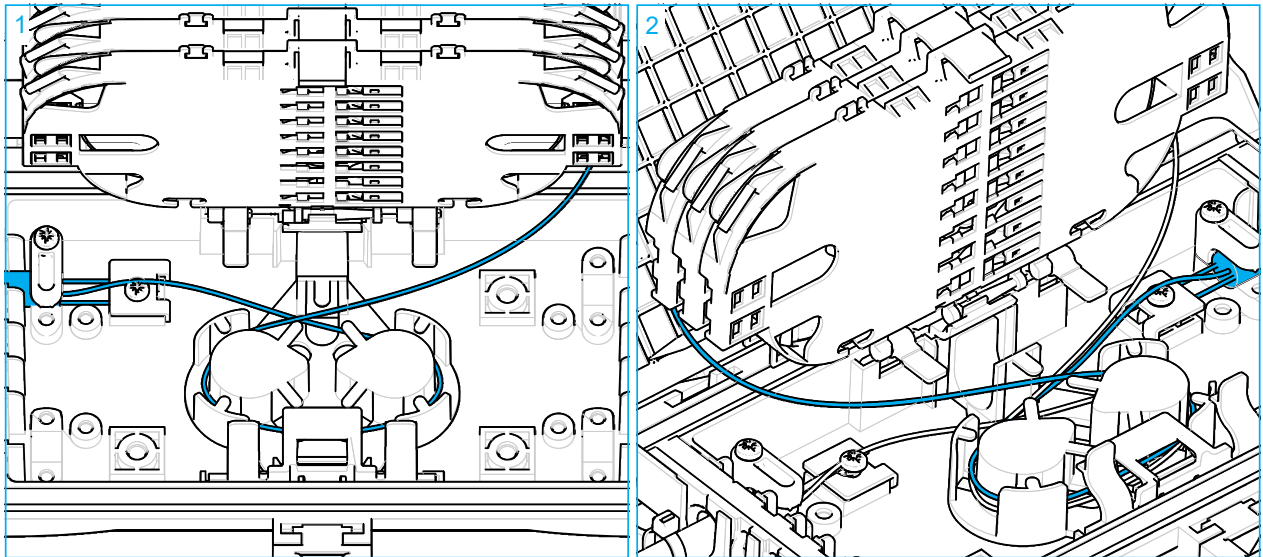
## 6 Cable to cable application

### 6.1 Prepare cable (Ø 9 mm)

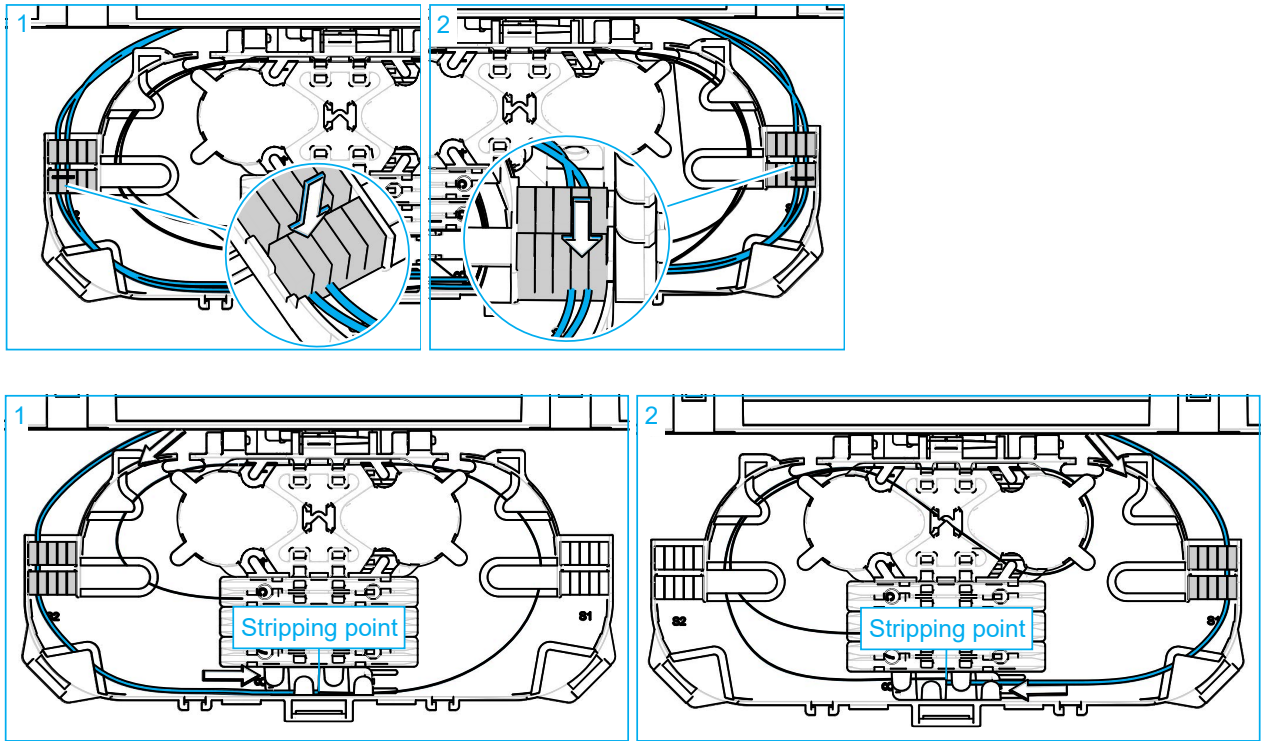


 **Note:** To secure the strength member(s), a separate kit with the required components can be ordered.

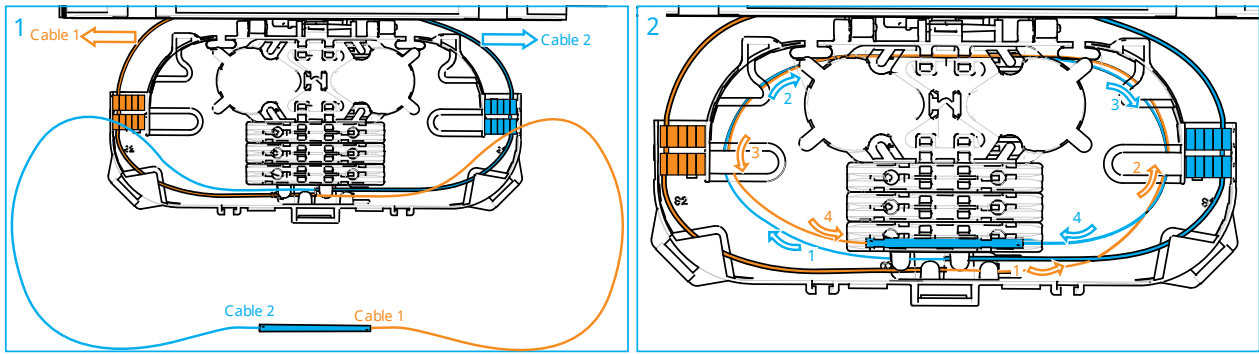
## 6.2 Route to tray



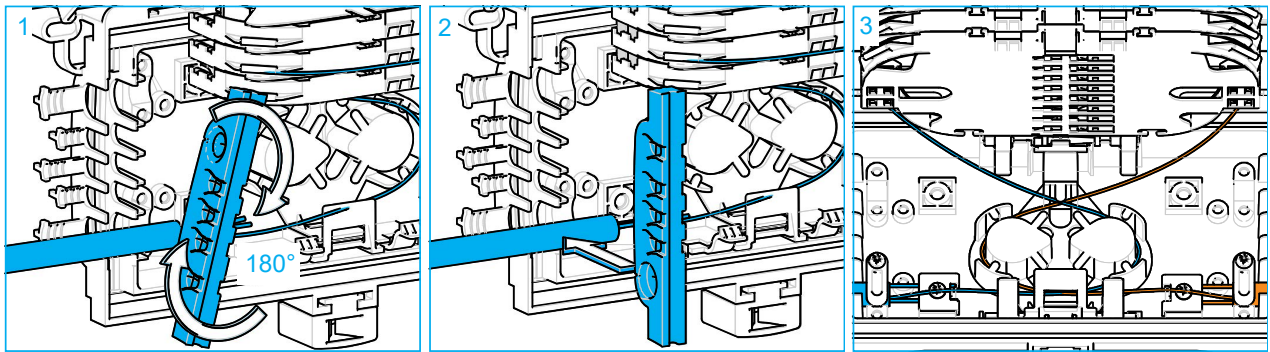
## 6.3 Routing on tray



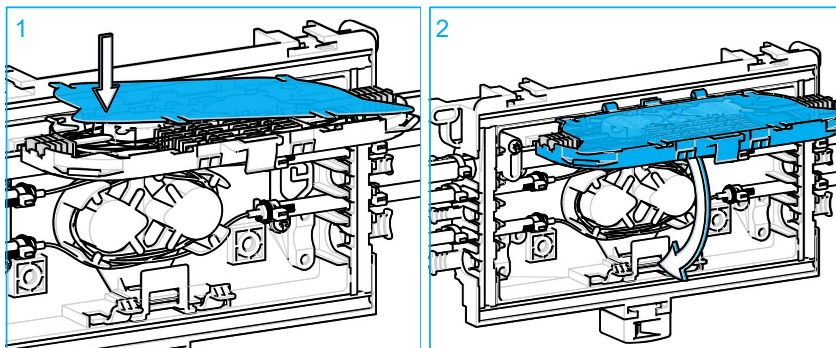
## 6.4 Make splice



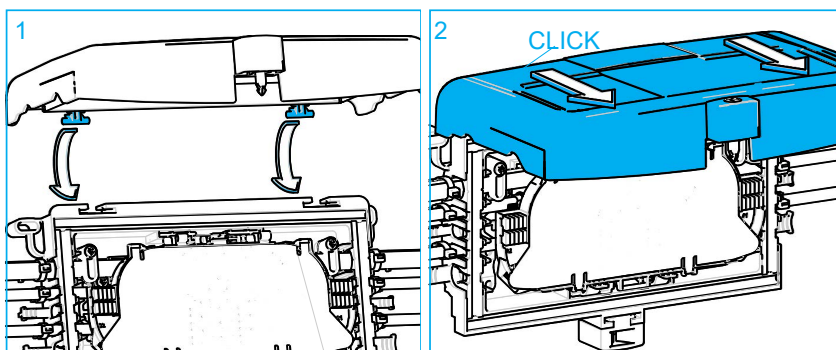
## 6.5 Use bottom port



## 7 Reinstall tray cover

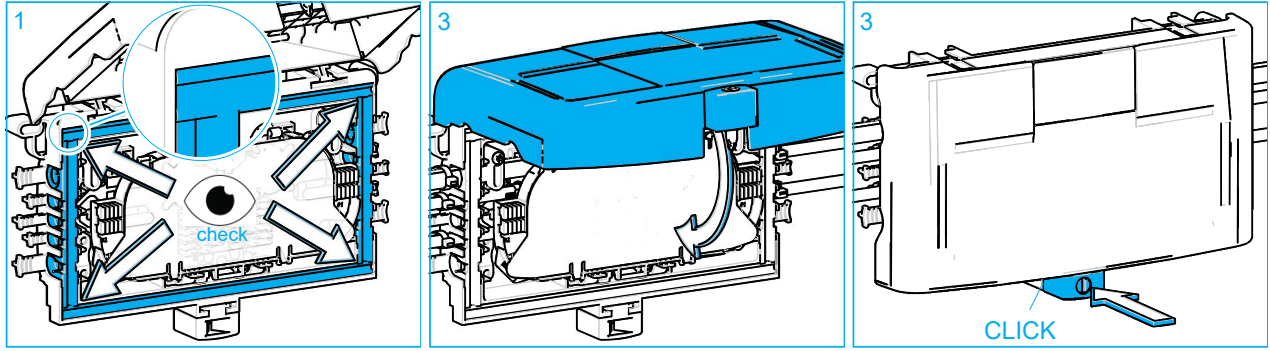


## 8 Reinstall closure cover



## 9 Lock the closure

**⚠ Attention:** Make sure that seals are in correct position before closing the cover!



## **10 Trade-marks**

All trademarks identified by ® are registered trademarks in the US and may be registered in other countries. All third party product names, trademarks and registered trademarks are property of their respective owners.

This document is for planning purposes only and is not intended to modify or supplement any specifications or warranties relating to CommScope products or services. CommScope is committed to the highest standards of business integrity and environmental sustainability, with a number of CommScope's facilities across the globe certified in accordance with international standards, including ISO 9001, TL 9000, and ISO 14001.

Further information regarding CommScope's commitment can be found at: <https://www.commscope.com/corporate-responsibility-and-sustainability>.

This product may be covered by one or more U.S. patents or their foreign equivalents. For patents, see [www.cs-pat.com](http://www.cs-pat.com)

## **11 Contact information**

Visit our website or contact your local CommScope representative for more information.

For technical assistance, customer service, or to report any missing/damaged parts, visit us at: <http://www.commscope.com/SupportCenter>