


NOVUX™ Fiber Optic System SEC 100 Patch Application

About this manual

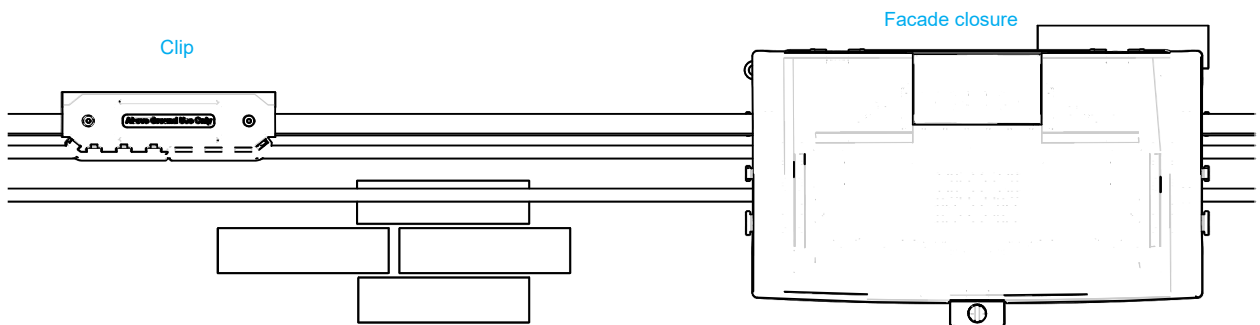
This installation instructions document describes the installation of the SEC 100 Patch Application. The document starts with providing an overview of the tools required to perform the installation. Also warnings and cautions are indicated, which should be observed before starting the product installation.

Following installation steps are covered in this document: closure preparation, feeder cable preparation and installation, drop cable preparation and installation, routing towards and on the trays, patching, closing the closure and mounting the closure.

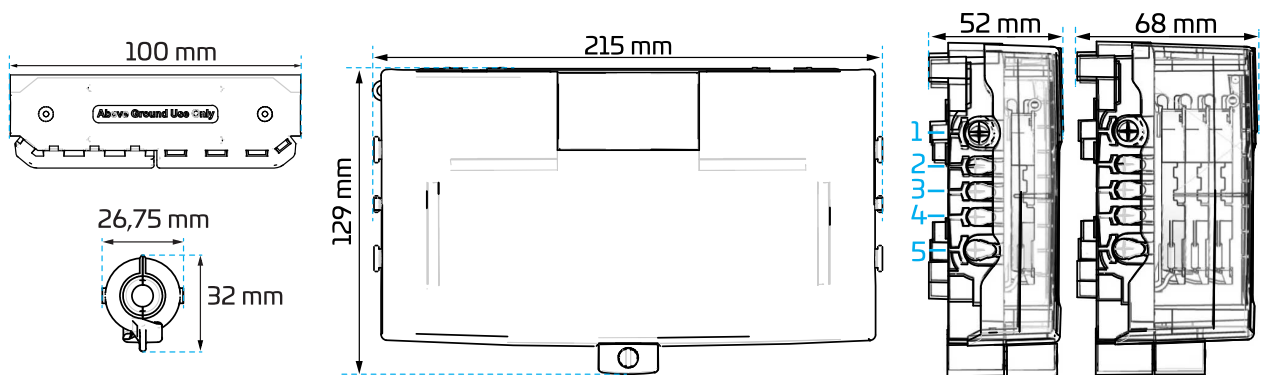
 **Note:** Closure variant shown in illustrations in these instructions are for reference only and doesn't impact installation procedure.

General product information

System overview



Dimensions



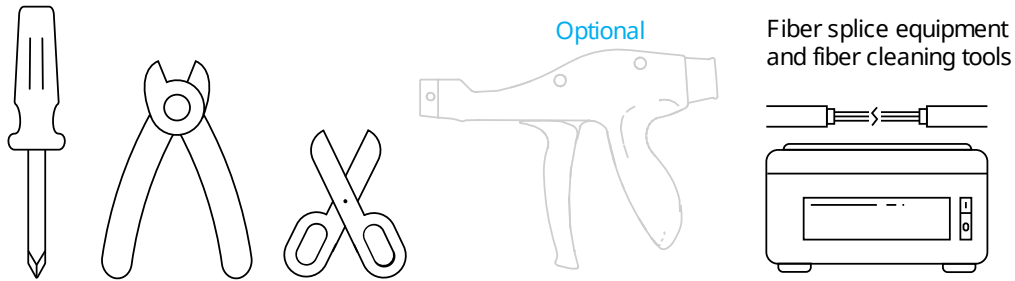
Cable range

Position	Cable diameter range
1, 5(turn seal)	8-12 mm
2, 3, 4	up to 7 mm

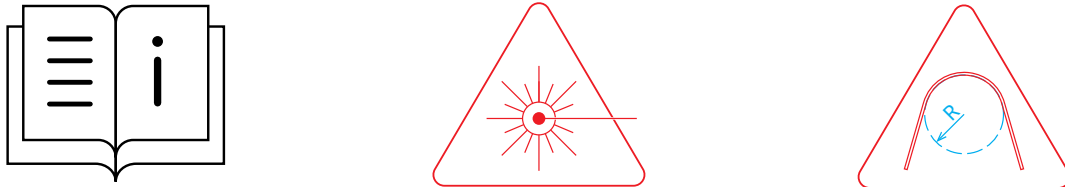
Contents

1 Tools.....	3	5.2 Position closure on the cable.....	6
2 Warnings and Cautions.....	3	5.3 Mount the closure.....	7
3 Kit contents and accessories.....	3	5.4 Feeder cable installation.....	8
4 Closure preparation.....	4	5.5 Splice feeder fiber to input splitter.....	10
4.1 Open closure.....	4	5.6 Connect drops.....	11
4.2 Lock cover and locate fiber guidance pen.....	4	6 Reinstall tray cover.....	11
4.3 Remove the closure cover.....	4	7 Reinstall closure cover.....	12
4.4 Remove tray.....	4	8 Lock the closure.....	12
5 Inline applications.....	5	9 Trade-marks.....	13
5.1 Feeder cable preparation.....	5	10 Contact information.....	13

1 Tools



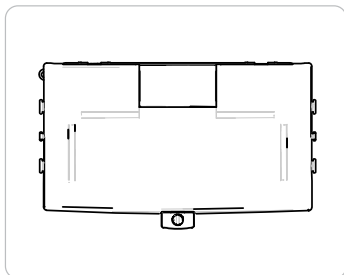
2 Warnings and Cautions



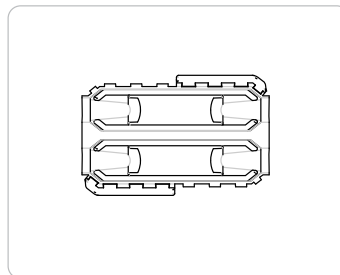
- Follow the installation instruction steps to ensure the performance of the closure. It is necessary to take precautions and keep the working space clean to protect the closure sealing materials and splices.
- Exposure to laser radiation can seriously damage the retina of the eye. Do not look into the ends of any optical fiber. Do not assume the laser power is turned off or that the fiber is disconnected at the other end. Looking into the ends of any optical fiber is entirely at your own risk. A protective cap or hood **MUST** be immediately placed over any radiating adapter or optical fiber connector to avoid the potential of dangerous amounts of radiation exposure. This practice also prevents dirt particles from entering the connector and adapter.
- Fiber optic cables may be damaged if bent or curved to a radius that is less than the recommended minimum bend radius. Always observe the recommended bend radius limit when installing fiber optic cables, subunits and patch cords.

3 Kit contents and accessories

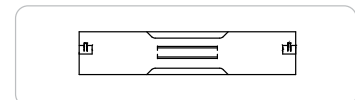
Kit contents facade closure



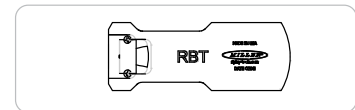
Kit contents clip



Accessory 1: cable holder

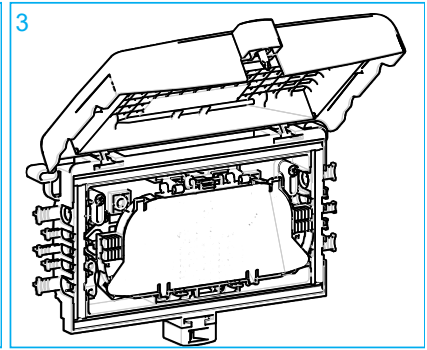
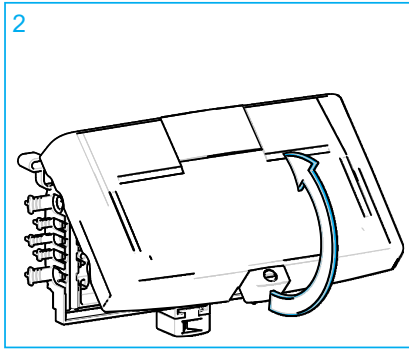
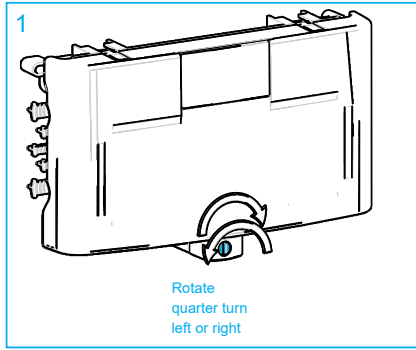


Accessory 2: shaving tool

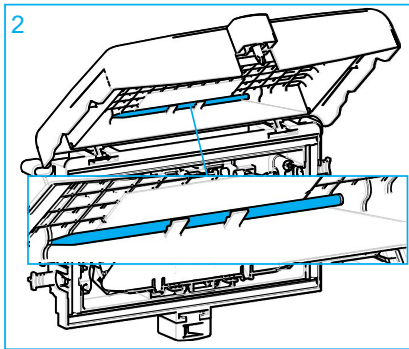
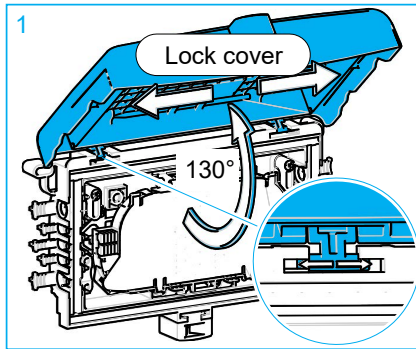


4 Closure preparation

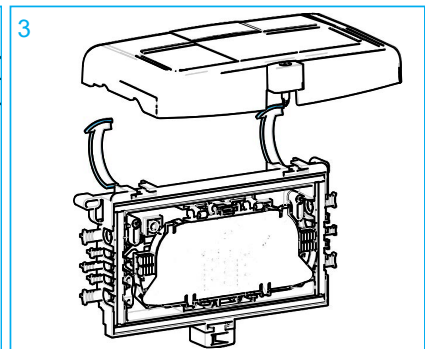
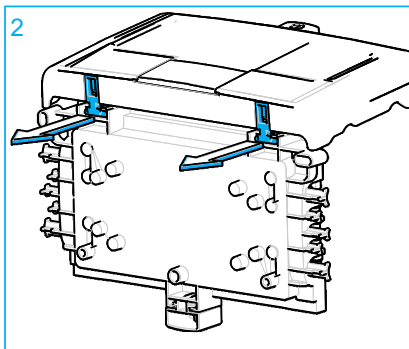
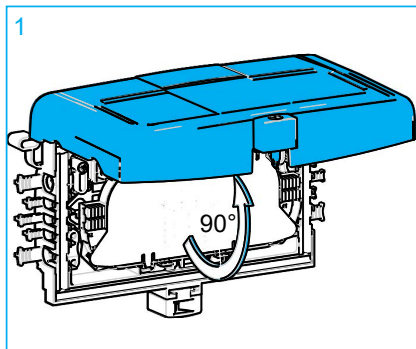
4.1 Open closure



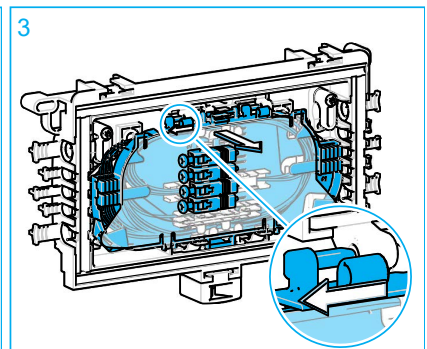
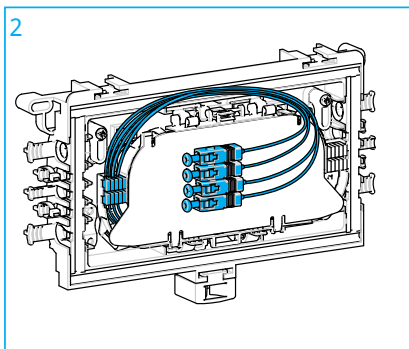
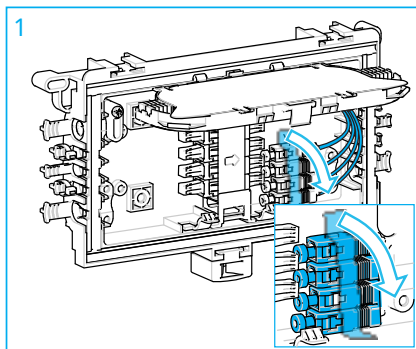
4.2 Lock cover and locate fiber guidance pen



4.3 Remove the closure cover



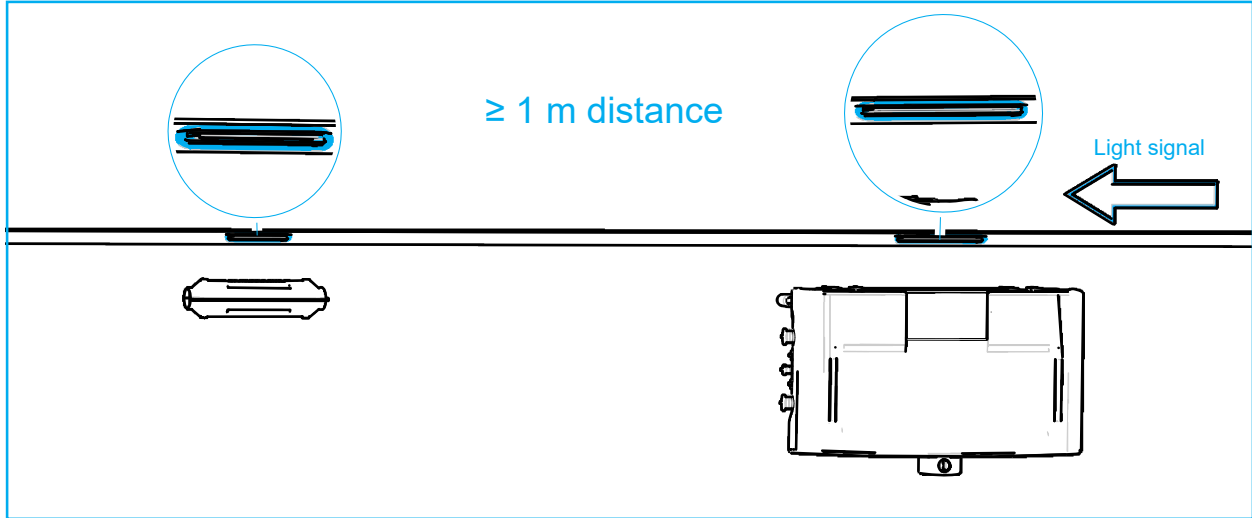
4.4 Remove tray



5 Inline applications

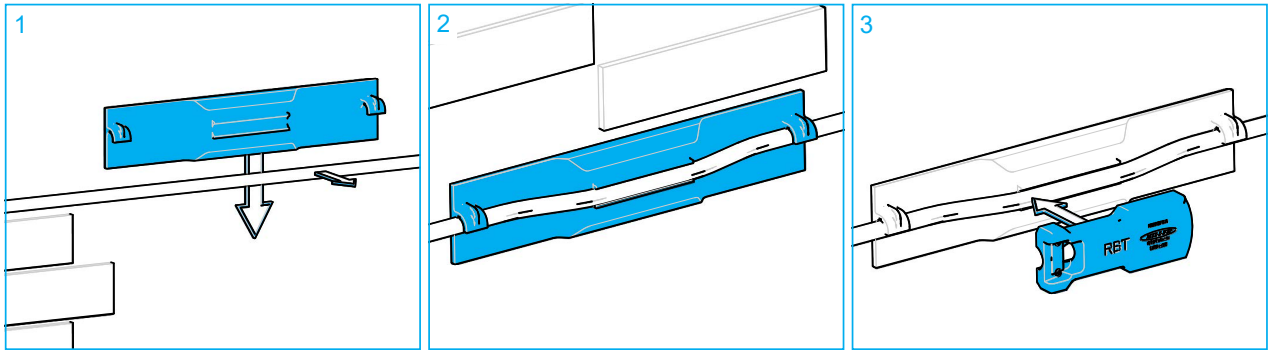
5.1 Feeder cable preparation

5.1.1 Window cut

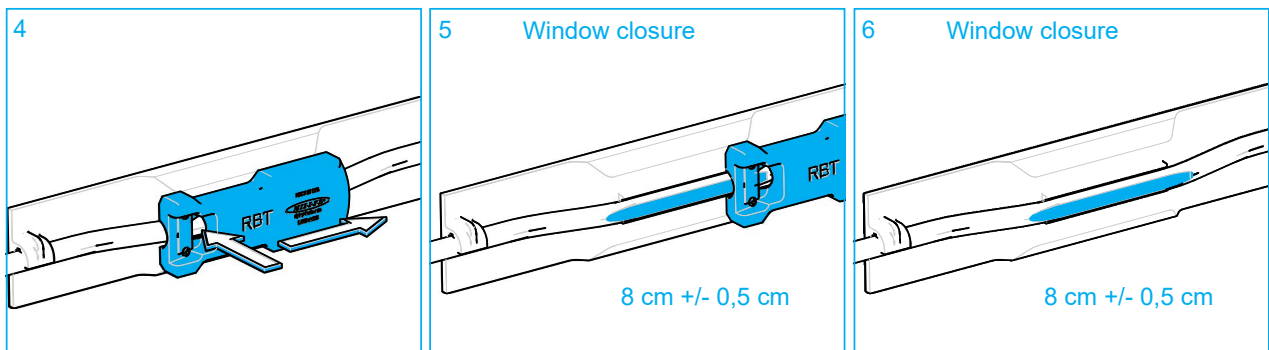


5.1.2 Shave cable

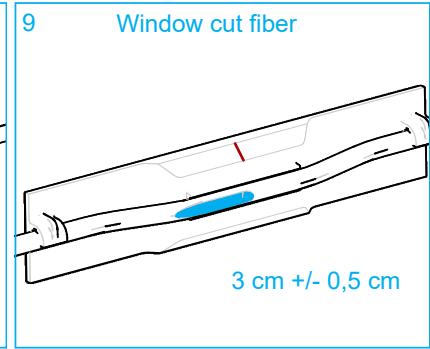
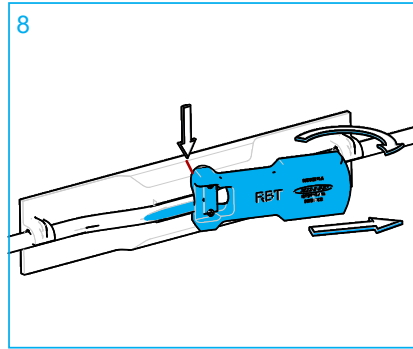
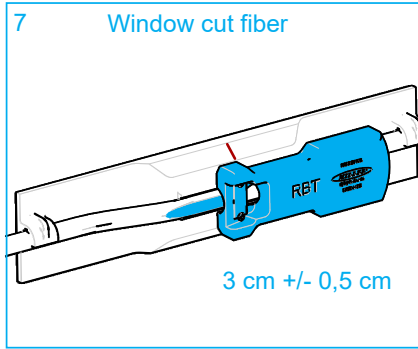
1 Install cable holder.



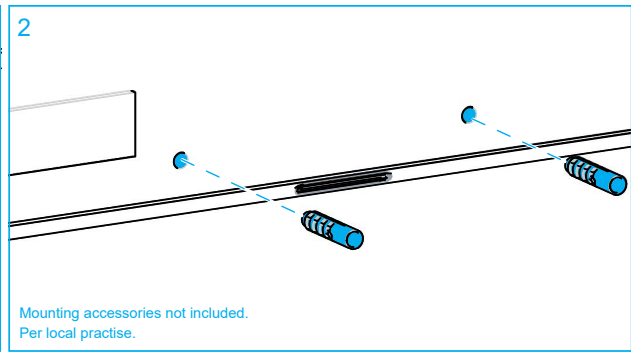
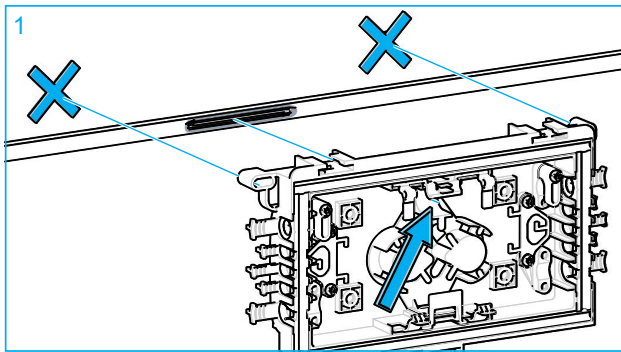
2 Make opening in the cable over the complete length of the cable holder (8 cm +/- 0,5 cm).



- 3 Make second opening, at minimum 1 m distance of the existing opening, until mark on the cable holder (3 cm +/- 0,5 cm).

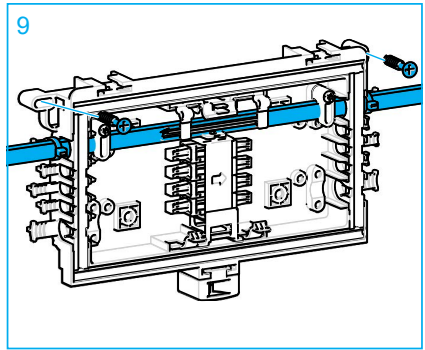
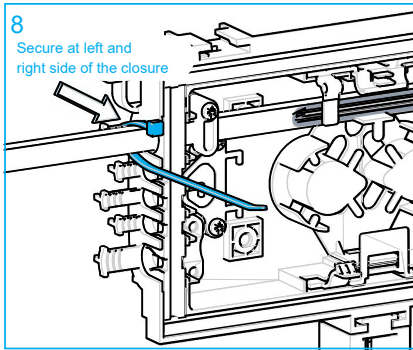
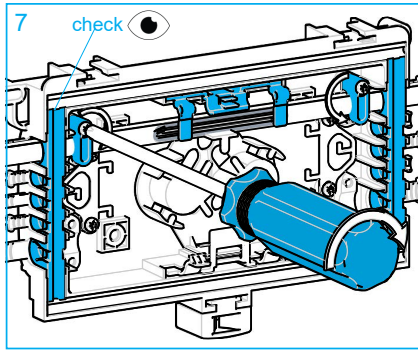
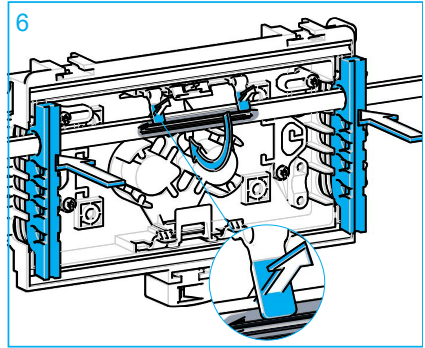
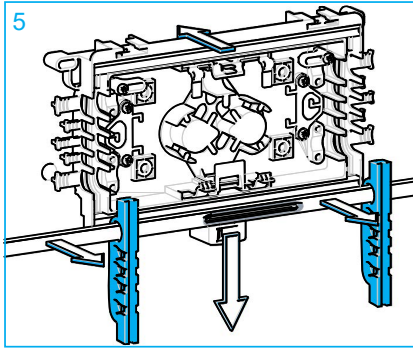
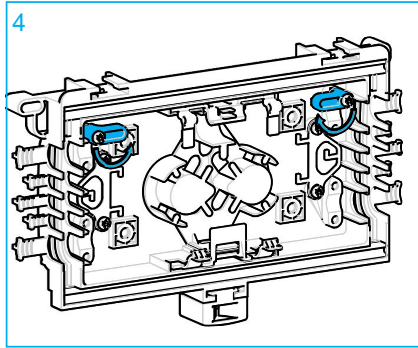
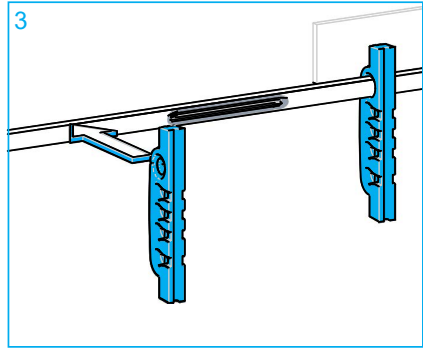
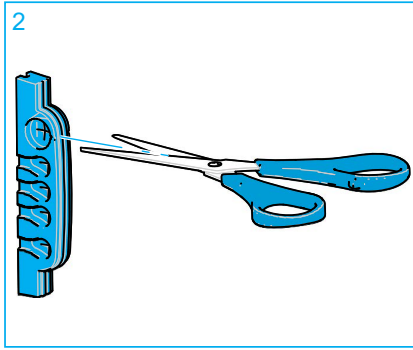
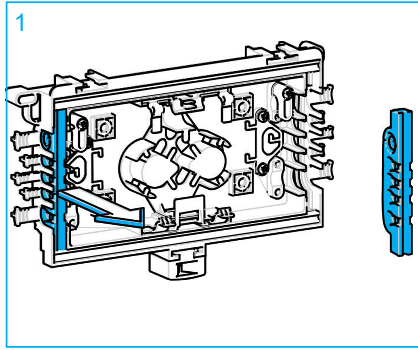


5.2 Position closure on the cable



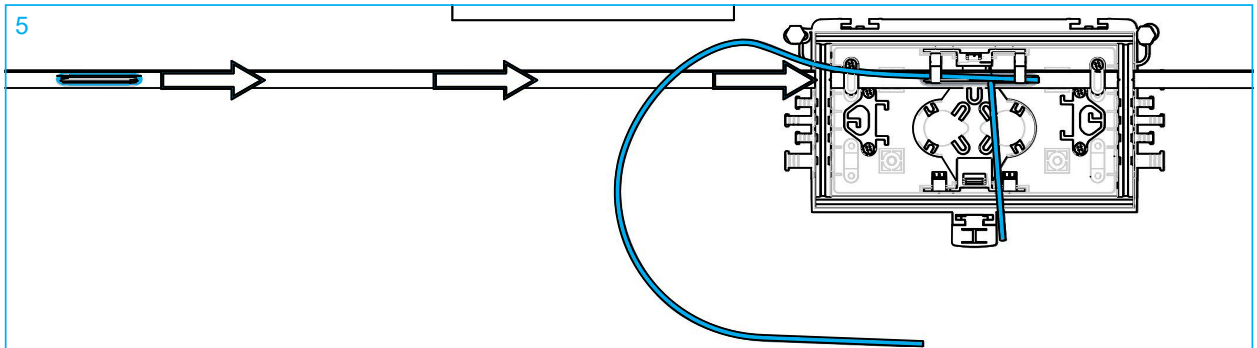
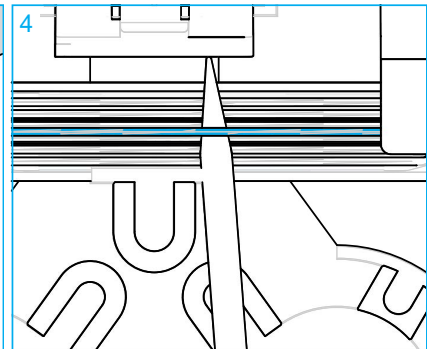
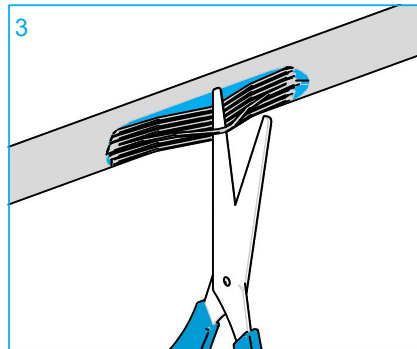
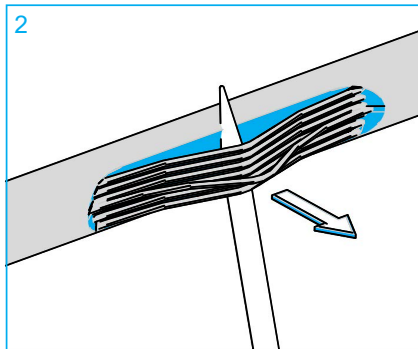
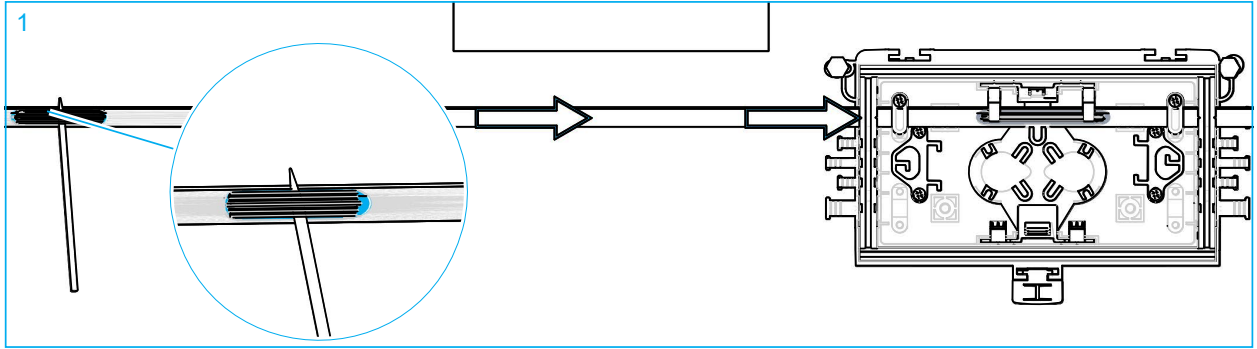
5.3

Mount the closure

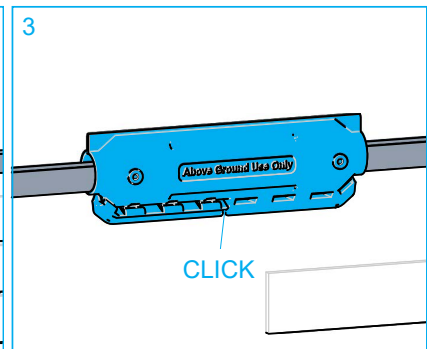
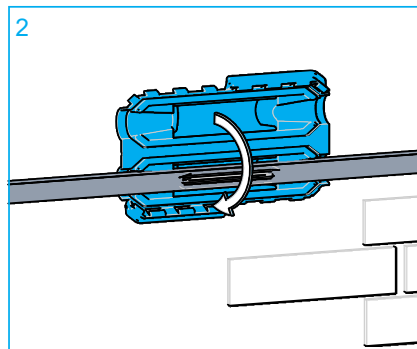
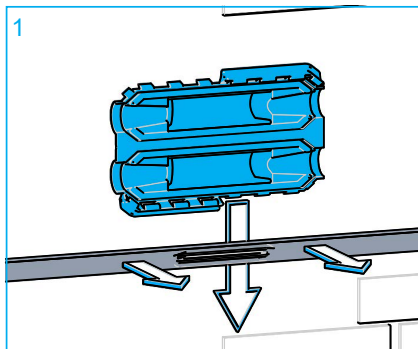


5.4 Feeder cable installation

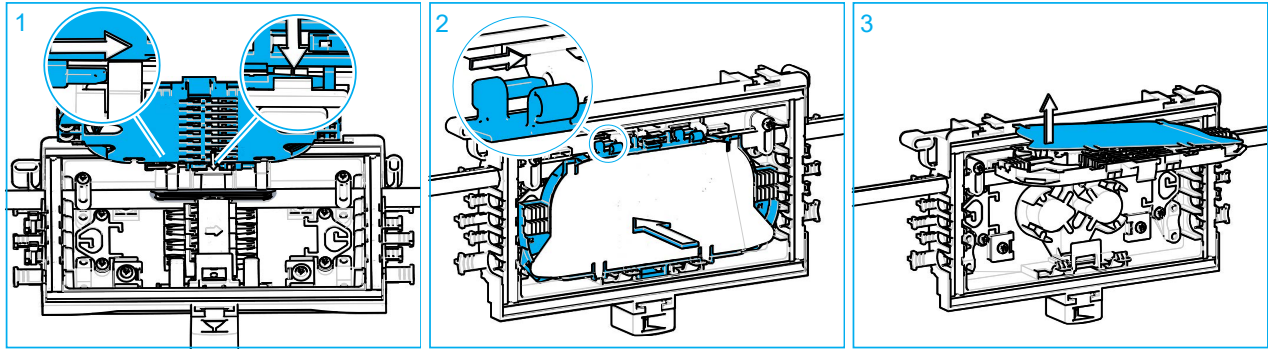
5.4.1 Pull back fibers



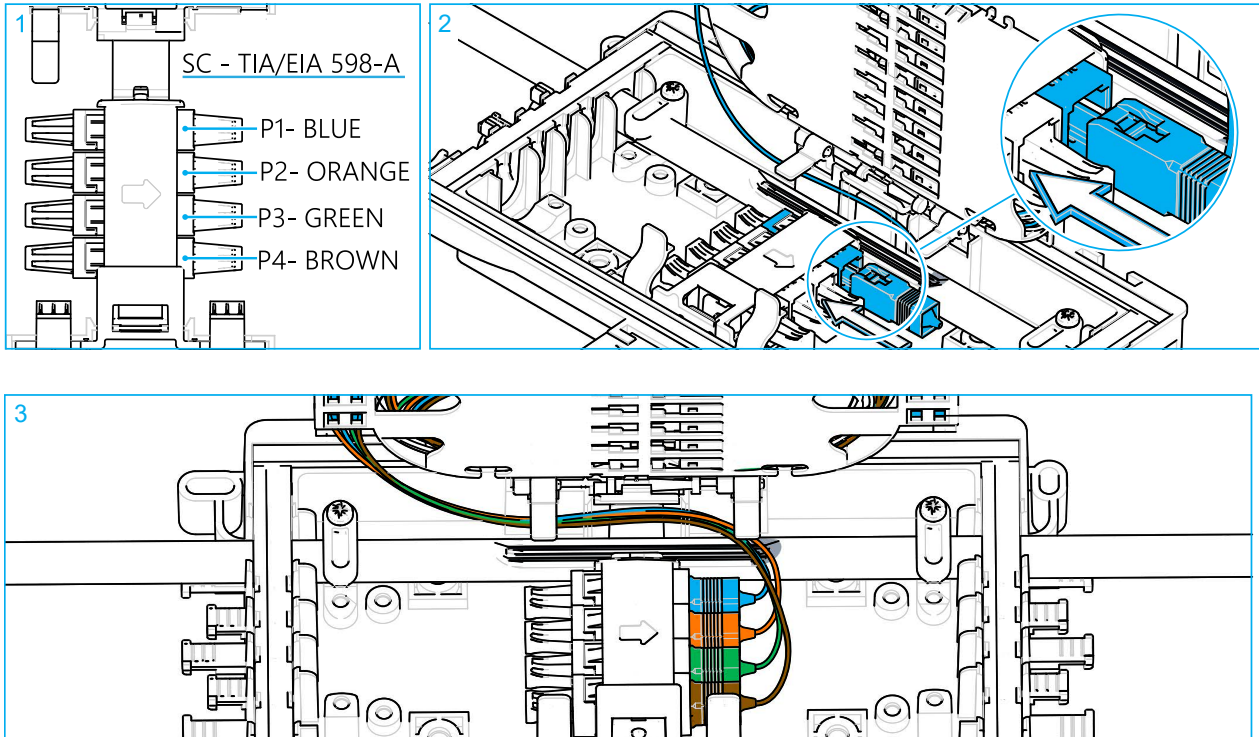
5.4.2 Protect window to cut fiber



5.4.3 Reinstall tray

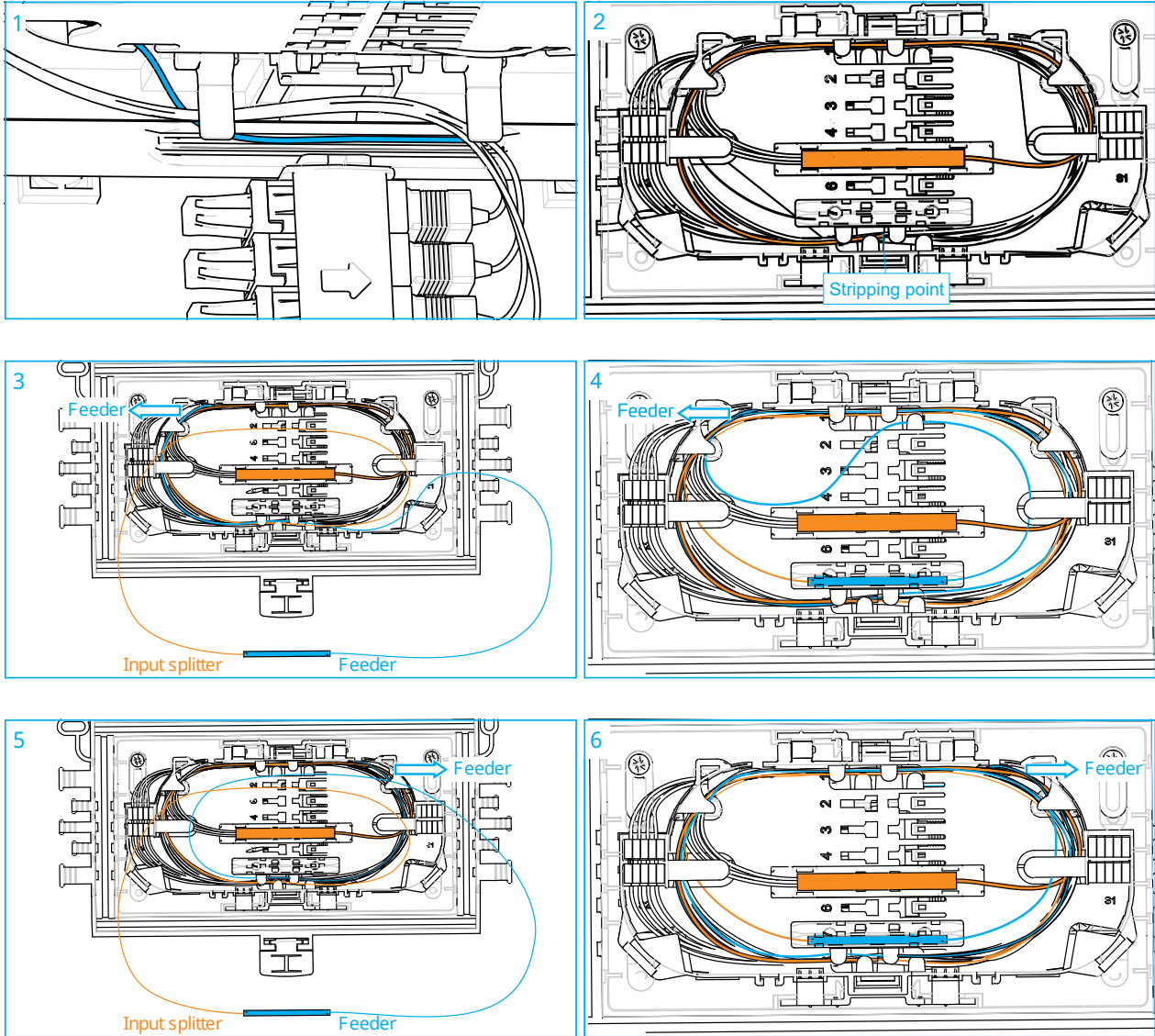


5.4.4 Connect output splitter

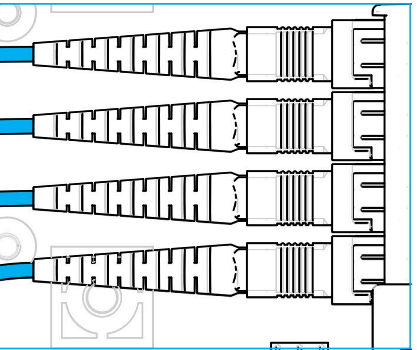
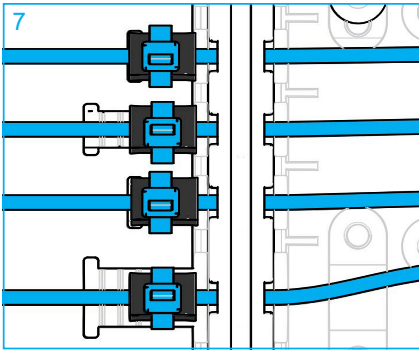
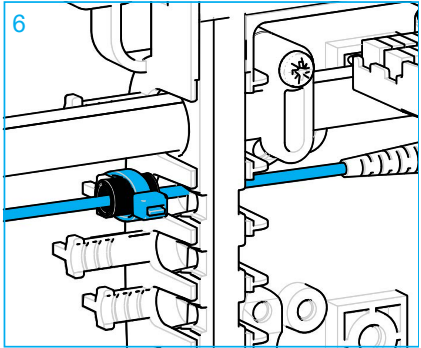
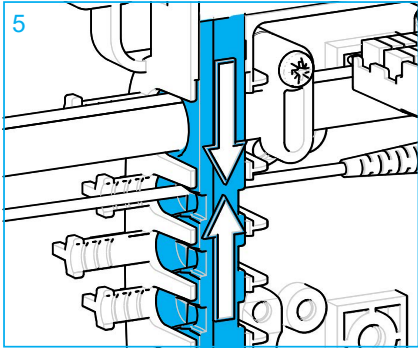
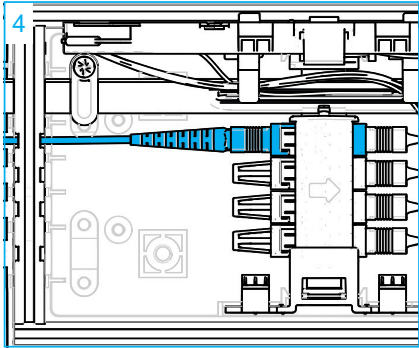
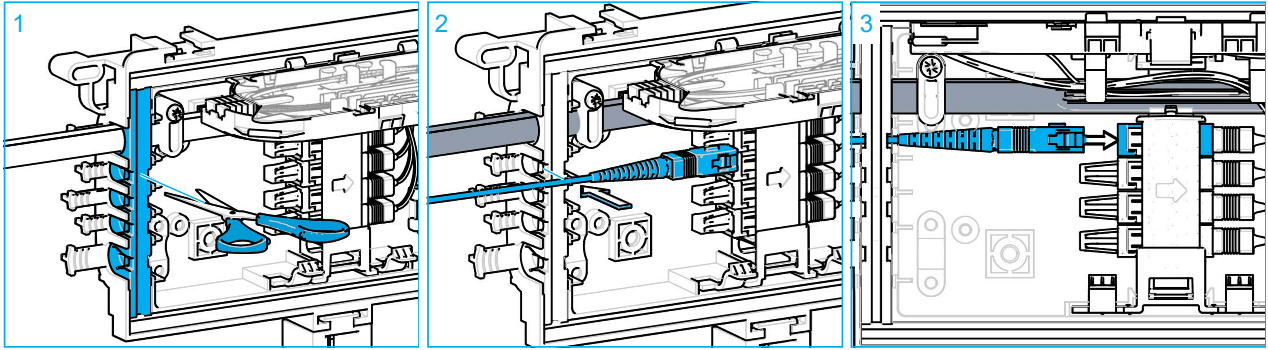


5.5 Splice feeder fiber to input splitter

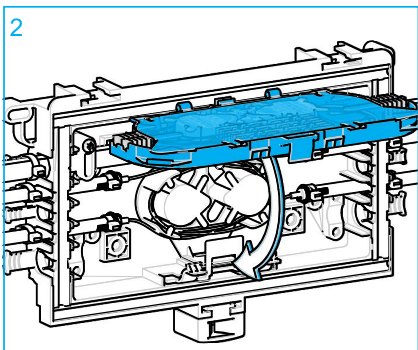
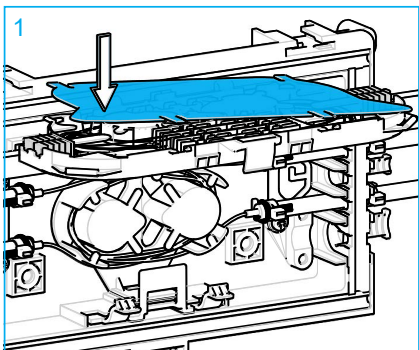
Pull back the fiber and protect the window cut to cut the fiber. Route the feeder fiber to the tray (either left or right).



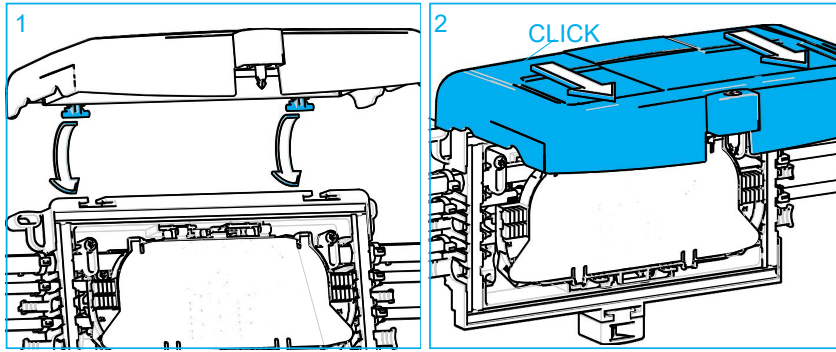
5.6 Connect drops



6 Reinstall tray cover

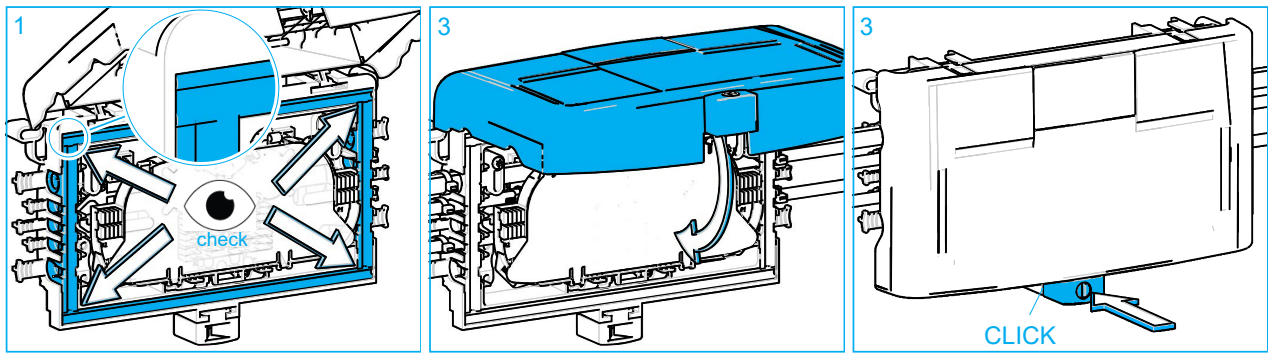


7 Reinstall closure cover



8 Lock the closure

⚠ Attention: Make sure that seals are in correct position before closing the cover!



9 Trade-marks

All trademarks identified by ® are registered trademarks in the US and may be registered in other countries. All third party product names, trademarks and registered trademarks are property of their respective owners.

This document is for planning purposes only and is not intended to modify or supplement any specifications or warranties relating to CommScope products or services. CommScope is committed to the highest standards of business integrity and environmental sustainability, with a number of CommScope's facilities across the globe certified in accordance with international standards, including ISO 9001, TL 9000, and ISO 14001.

Further information regarding CommScope's commitment can be found at: <https://www.commscope.com/corporate-responsibility-and-sustainability>.

This product may be covered by one or more U.S. patents or their foreign equivalents. For patents, see www.cs-pat.com

10 Contact information

Visit our website or contact your local CommScope representative for more information.

For technical assistance, customer service, or to report any missing/damaged parts, visit us at: <http://www.commscope.com/SupportCenter>