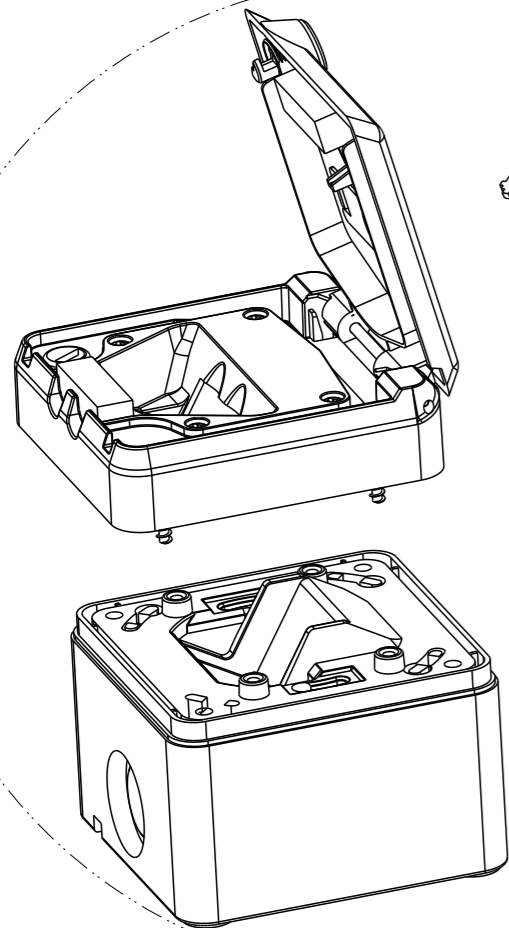
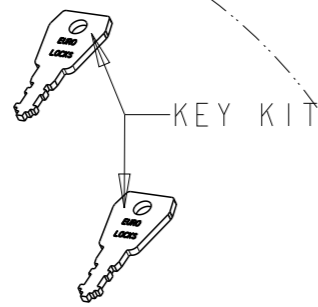


REVISIONS			
REV	CMO	DATE	APPROVED
B	40128549CMO	01-APR-21	BL

PN-1 AS SHOWN



PACKAGING:

PN-1: 6 UNITS PER BOX, ACCORDING TO TE PACKAGING SPEC.
 PN-2: 5 UNITS PER BOX, ACCORDING TO TE PACKAGING SPEC.

KEY KIT AND INSTRUCTIONS SHEETS ARE INCLUDED.

2. INSTRUCTION SHEETS:

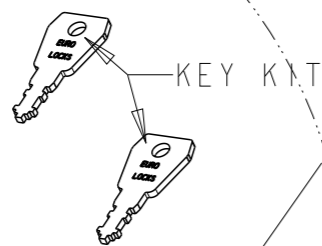
- 408-8417: Instruction sheet for SL Series Jacks.
- 411-93007: Instruction sheet for AMP-TWIST 6S SL JACK.
- 411-93016: Instruction sheet for AMP-TWIST 6AS SL JACK.
- 411-93009: INSTAL.INSTRUC. FOR AMP-TWIST and SL JACK INTO IP 44 INDUSTRIAL OUTLET.

ALL INSTRUCTION SHEETS CAN BE DOWNLOADED FROM COMMSCOPE.com website.

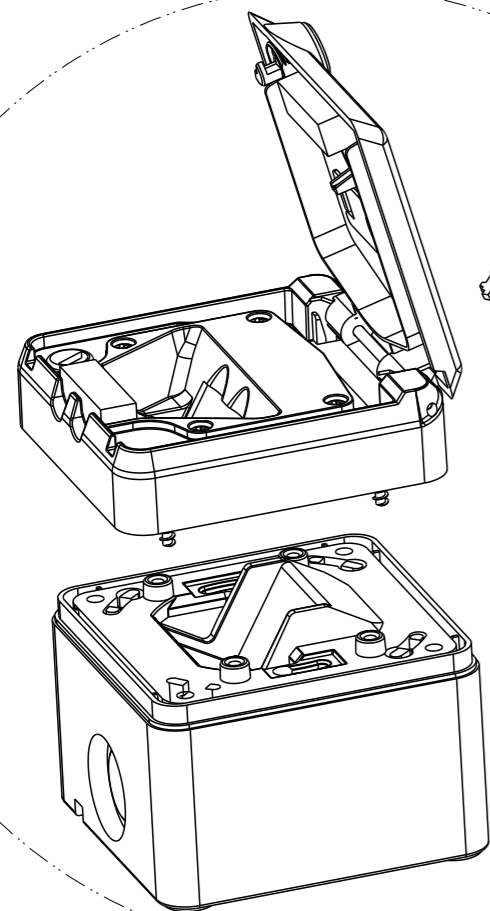
3. CONNECTORS:

AMP-TWIST & SL SERIES JACKS ARE NOT INCLUDED IN THE KIT.
 CONNECTORS HAVE TO BE ORDERED SEPARATELY.

PN-2 AS SHOWN



CABLE GLAND
 (for 2 CABLES:
 Ø 3.0 - 8.0 mm)

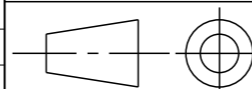


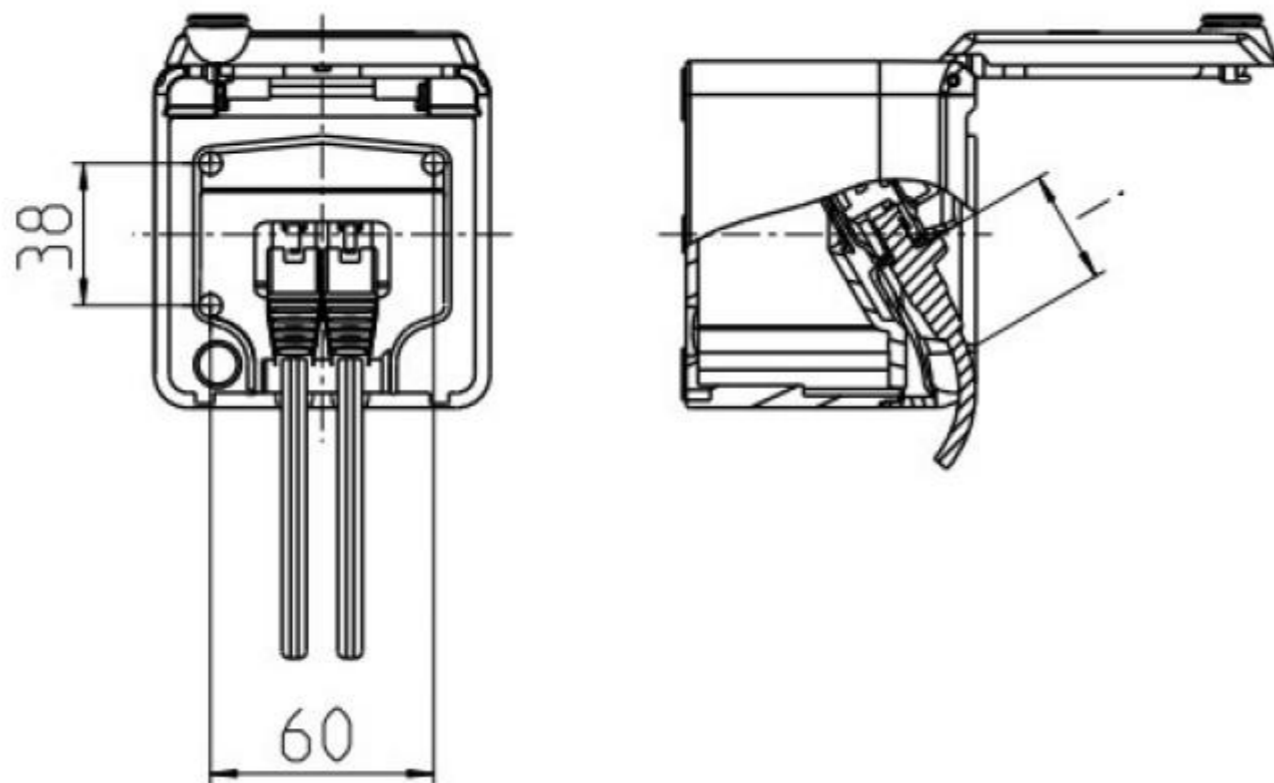
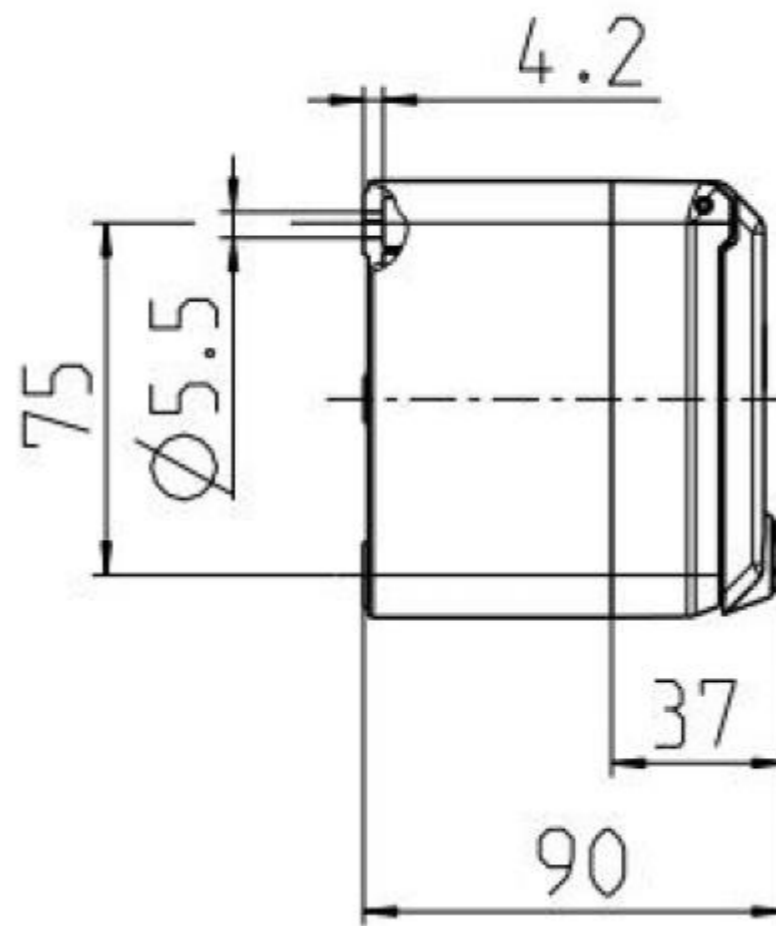
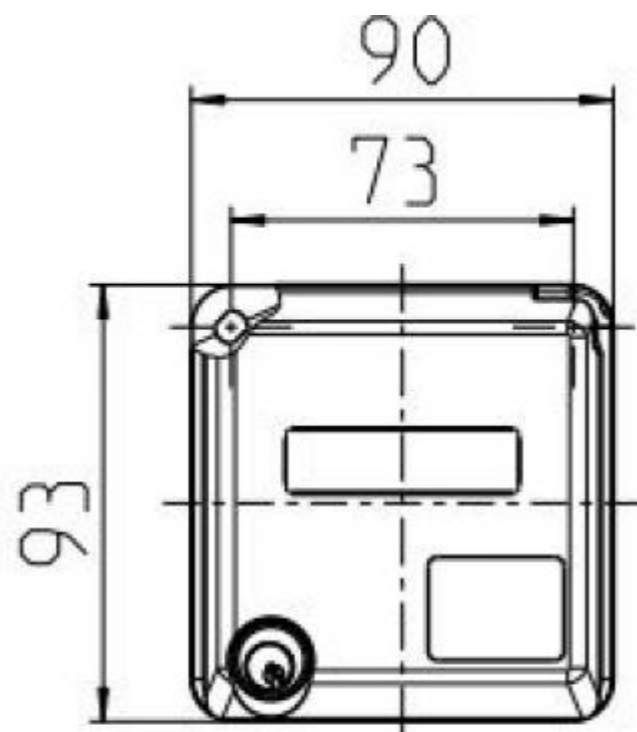
PART REV.	COLOUR	PN	DESCRIPTION
A	RAL 7035	1711411-2	IP INDUSTRIAL OUTLET WITH CABLE GLAND for 2 CABLES Ø3-8 mm.
A	RAL 7035	1711411-1	IP 44 INDUSTRIAL OUTLET

UNITS	mm
TOLERANCE	VALUE
0 PLC	-
1 PLC	-
2 PLC	-
3 PLC	-
4 PLC	-
ANGLE TOL	-
SURFACE TOL	-

COMMSCOPE, INC.

DRAFTER A. CARRERAS		TITLE IP44 INDUSTRIAL OUTLET, FOR AMP-TWIST AND SL SERIES JACK	
ENGINEER J. SANABRA	SIZE A3	SCALE 2:1	DOCUMENT NO. 1711411
CUSTOMER DRAWING			REVISION B
			SHEET 1 OF 2





COMMSCOPE, INC.

DRAFTER A. CARRERAS		TITLE IP44 INDUSTRIAL OUTLET, FOR AMP-TWIST AND SL SERIES JACK		
ENGINEER J. SANABRA		SIZE A3	SCALE 2:1	DOCUMENT NO. 1711411
CUSTOMER DRAWING			REVISION B	SHEET 2 OF 2