

Star Support Tee Bracket

**OBSOLETE**

## Product Classification

**Product Type** Support bracket

## General Specifications

**Hole, quantity** 12

**Mounting** Round and angle legs

## Dimensions

**Height** 101.6 mm | 4 in

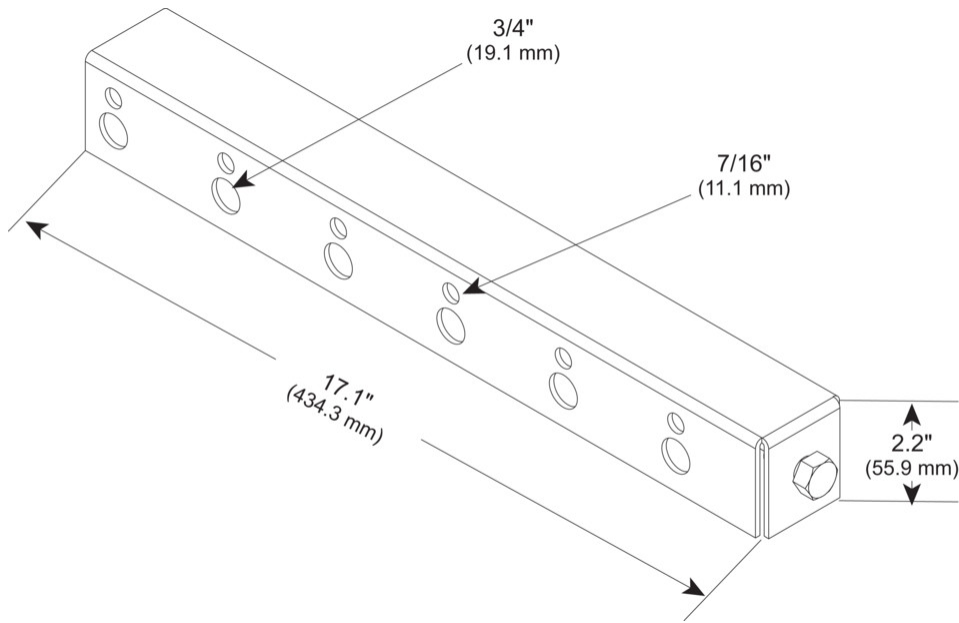
**Width** 304.8 mm | 12 in

**Length** 254 mm | 10 in

**Hole Size** 3/4 in | 7/16 in

# SS-TB

## Outline Drawing



## Material Specifications

**Material Type** Hot dip galvanized steel

## Packaging and Weights

**Included** Brackets

**Packaging quantity** 1

**Weight, net** 1.4 kg | 3.086 lb