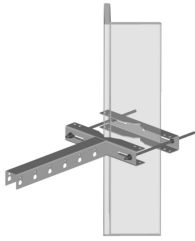


# SS-TB2550

---



Star Support Tee Bracket for 1-1/2 in to 5-9/16 in OD round members and 2-1/2 in to 5 in angle members

## Product Classification

**Product Type** Support bracket

## General Specifications

**Cable Runs, quantity** 12

**Hole, quantity** 12

**Mounting** Angle members, 63.5–127 mm (2-1/2 in to 5 in) | Round member, 38.1–141.29 mm (1-1/2 in to 5-9/16 in) OD

## Dimensions

**Height** 101.6 mm | 4 in

**Width** 304.8 mm | 12 in

**Length** 254 mm | 10 in

**Mounting Diameter 2, maximum** 127 mm | 5 in

**Mounting Diameter 2, minimum** 63.5 mm | 2.5 in

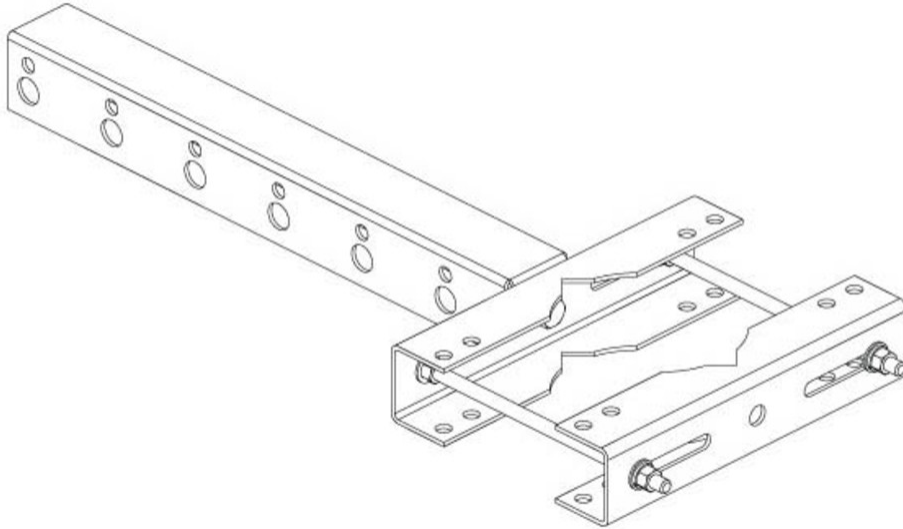
**Mounting Diameter, maximum** 142.24 mm | 5.6 in

**Mounting Diameter, minimum** 38.1 mm | 1.5 in

**Hole Size** 3/4 in | 7/16 in

# SS-TB2550

## Outline Drawing



## Material Specifications

**Material Type** Hot dip galvanized steel

## Packaging and Weights

**Included** Brackets  
**Packaging quantity** 1  
**Weight, net** 3.6 kg | 7.937 lb

## Regulatory Compliance/Certifications

Agency	Classification
ISO 9001:2015	Designed, manufactured and/or distributed under this quality management system
REACH-SVHC	Compliant as per SVHC revision on <a href="https://www.commscope.com/ProductCompliance">www.commscope.com/ProductCompliance</a>
ROHS	Compliant
UK-ROHS	Compliant



# SS-TB2550

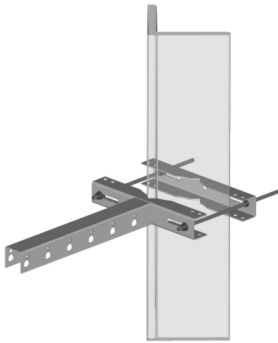
---

## Included Products

SS-TB    –    Star Support Tee Bracket

# SS-TB

---



Star Support Tee Bracket

## Product Classification

**Product Type** Support bracket

## General Specifications

**Hole, quantity** 12  
**Mounting** Round and angle legs

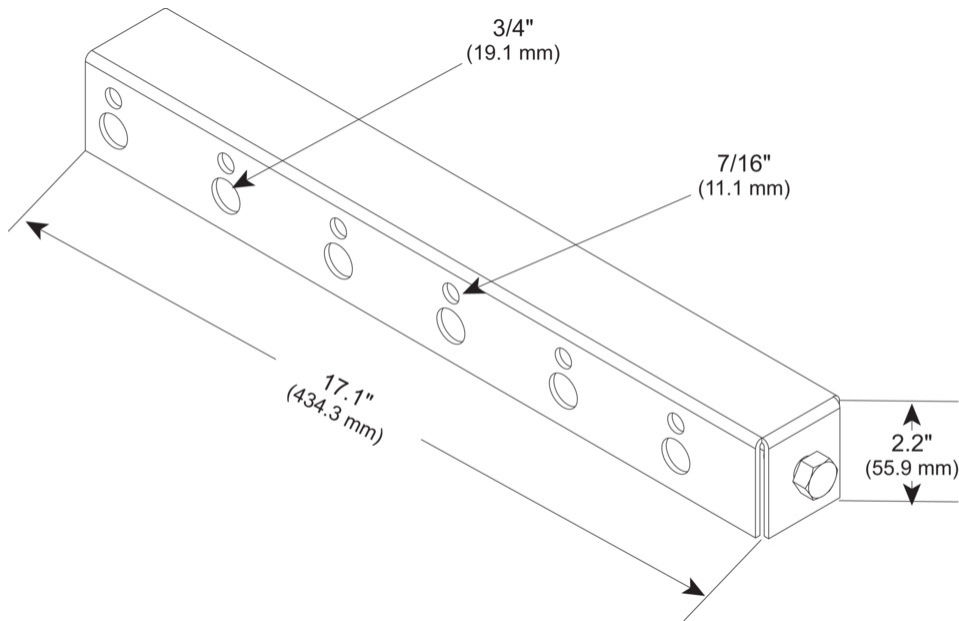
## Dimensions

**Height** 101.6 mm | 4 in  
**Width** 304.8 mm | 12 in  
**Length** 254 mm | 10 in  
**Hole Size** 3/4 in | 7/16 in

# SS-TB

---

## Outline Drawing



## Material Specifications

**Material Type** Hot dip galvanized steel

## Packaging and Weights

**Included** Brackets

**Packaging quantity** 1

**Weight, net** 1.4 kg | 3.086 lb