

MHD-MMDH



Hardened Multifiber Optical Connector (HMFOC) cable assembly, HMFOC jack to HMFOC jack, 12-fiber

- Hardened connectors are factory-terminated and environmentally sealed for use in optical drop cable deployments
- Hardened drop cables incorporate hardened connector technology that is designed to withstand the rugged outside plant environment
- Hardened drop cables simplify installation and maintenance by reducing splicing requirements in the distribution portion of the network

Product Classification

Regional Availability	Asia Latin America North America
Portfolio	CommScope®
Product Type	Fiber drop cable assembly
Product Series	MHD

General Specifications

Cable Type	Toneable - Flat
Connector A, quantity	1
Color, boot A	Black
Color, connector A	Black
Connector B, quantity	1
Color, boot B	Black
Color, connector B	Black
Interface, Connector A	Hardened multi-fiber (HMFOC) jack
Interface Feature, connector A	Male Pinned
Interface, Connector B	Hardened multi-fiber (HMFOC) jack
Interface Feature, connector B	Male Pinned
Jacket Color	Black
Total Fibers, quantity	12

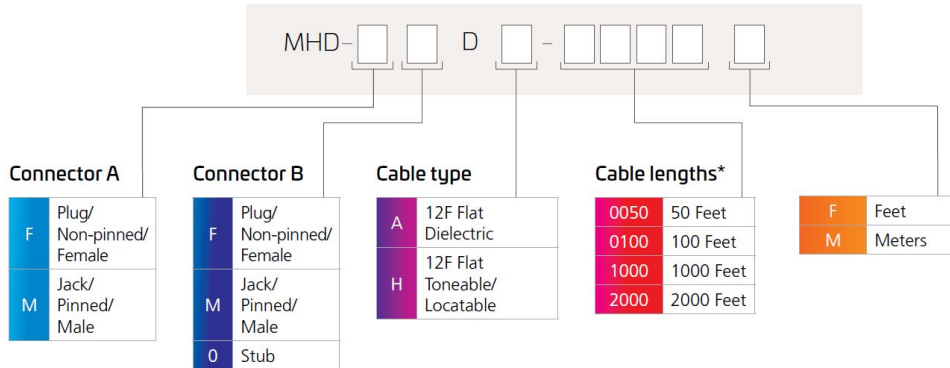
Dimensions

Cable Assembly Length Range (m)	1 – 750
Cable Assembly Length Range (ft)	50 – 2000

MHD-MMDH

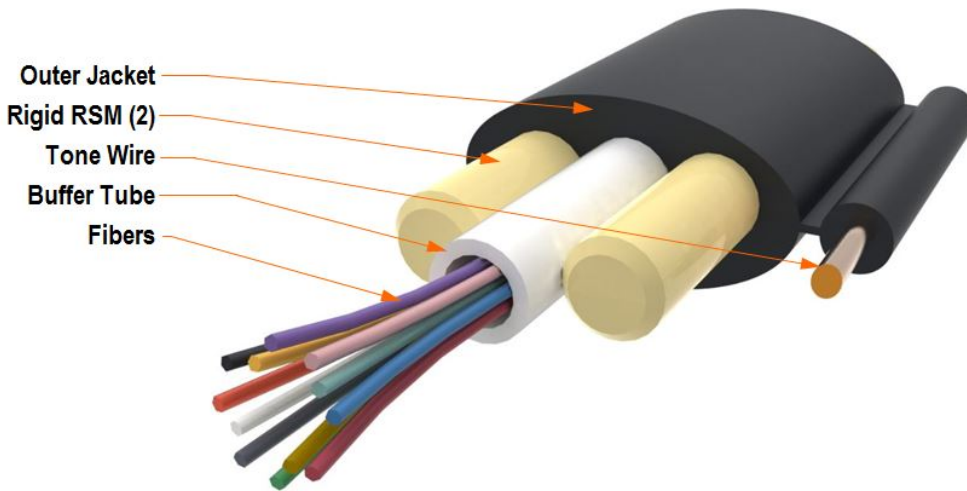
Cable Outer Diameter 4.3 x 9.9 mm (0.17 x 0.39 in)

Ordering Tree



* Cable Length shown as an example, additional cable lengths available upon request up to 2,000 ft. (600 m).

Representative Image



Mechanical Specifications

Minimum Bend Radius, loaded	86 mm 3.386 in
Minimum Bend Radius, unloaded	81 mm 3.189 in
Tensile Load, long term, maximum	400 N 89.924 lbf
Tensile Load, short term, maximum	1334 N 299.895 lbf

Optical Specifications

MHD-MMDH

Fiber Mode	Singlemode
Fiber Type	G.657.A2, TeraSPEED®
Insertion Loss, maximum, connector A	0.45 dB
Insertion Loss, maximum, connector B	0.45 dB
Return Loss, minimum, connector A	65 dB
Return Loss, minimum, connector B	65 dB

Environmental Specifications

Installation temperature	-30 °C to +70 °C (-22 °F to +158 °F)
Operating Temperature	-40 °C to +70 °C (-40 °F to +158 °F)
Storage Temperature	-40 °C to +75 °C (-40 °F to +167 °F)
Environmental Space	Outdoor, buried
Jacket UV Resistance	UV stabilized
Qualification Standards	IEC 61753-1, category A and G IP68 Per GR-3152

Packaging and Weights

Packaging quantity	1
---------------------------	---

Regulatory Compliance/Certifications

Agency	Classification
CHINA-ROHS	Below maximum concentration value
REACH-SVHC	Compliant as per SVHC revision on www.commscope.com/ProductCompliance
ROHS	Compliant
UK-ROHS	Compliant/Exempted



Included Products

810009374/DB O-012-DF-HY-F12NS/30T /8G1012/1X24AWG	–	Tone Wire Outdoor Drop Cable, 12 fiber Arid Core construction, central loose tube
--	---	---