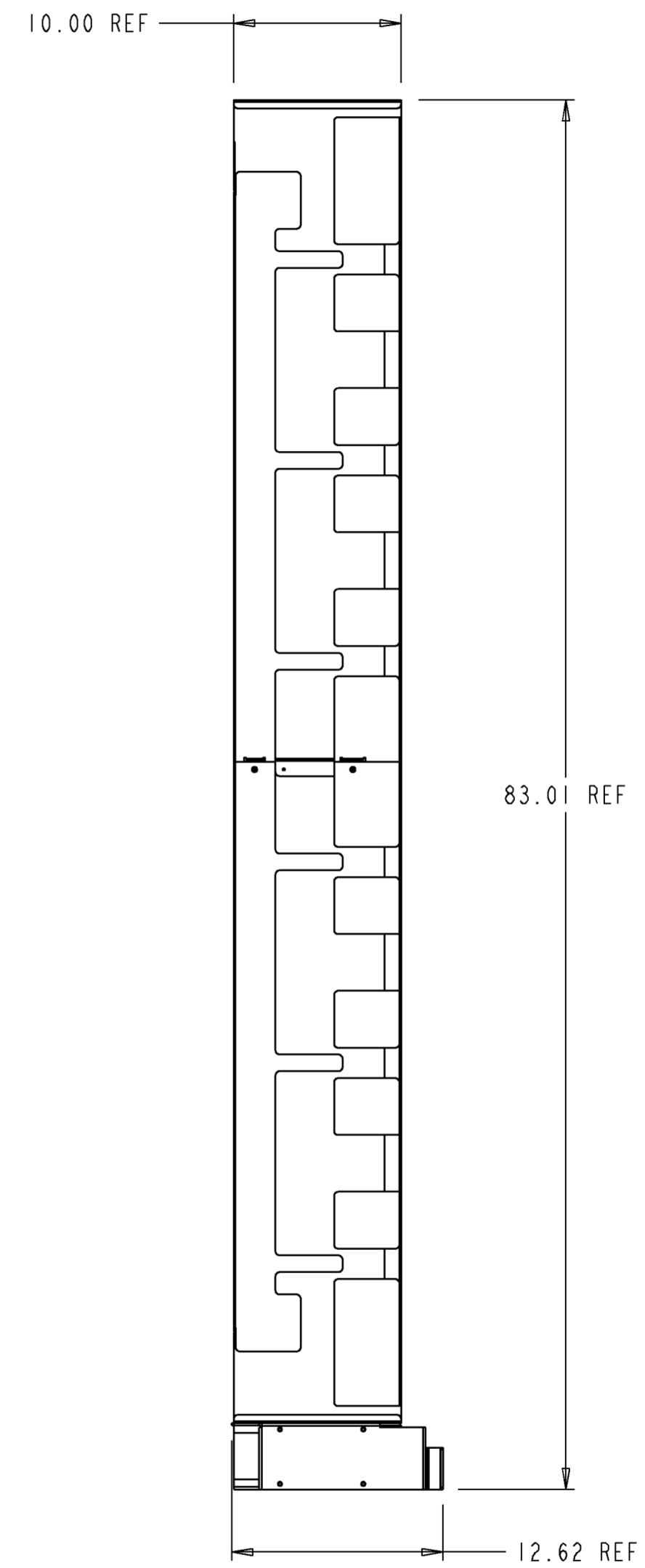
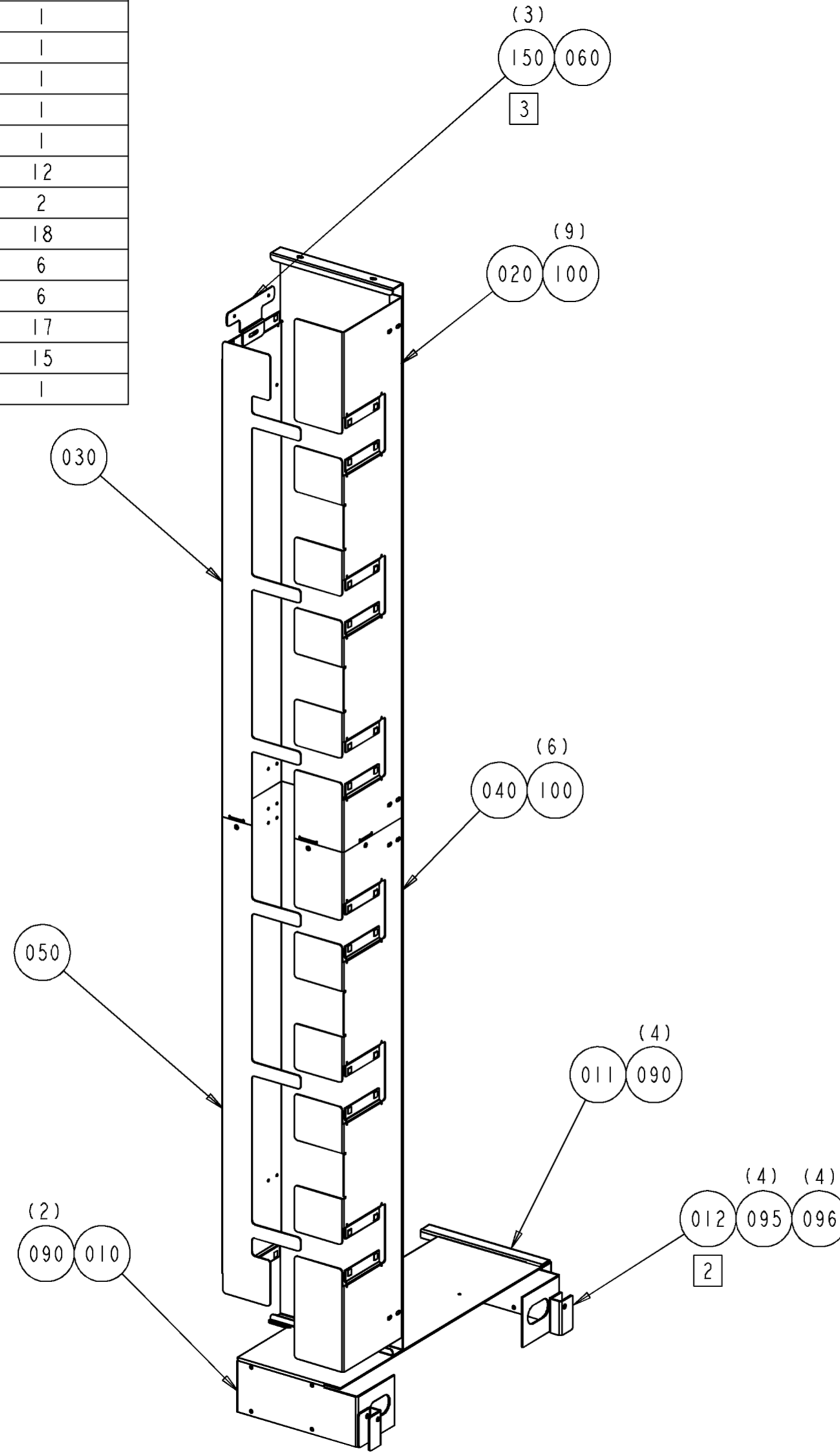


REV	MCO	DWN	DATE
A	20269022	GCC	17-AUG-09

TRANSITION PANEL		
ITEM	DESCRIPTION	QTY
010	BASE GUARD BOX TRANSITION PANEL	1
011	EXTENSION FOR BASE GUARD BOX	1
012	SPACER, BASE 1"	2
020	VERTICAL TROUGH, TOP	1
030	VERTICAL TROUGH, TOP	1
040	VERTICAL TROUGH, BOTTOM	1
050	VERTICAL TROUGH, BOTTOM	1
060	BRACKET, T	1
070	FDF EDGE PROTECTOR	12
080	FDF EDGE PROTECTOR	2
090	SCREW 12-24X3/8	18
4 095	1/4-20 X .500 HEX HEAD MACHINE SCREW	6
096	LOCKWASHER	6
100	SCREW 6-32 X 3/16 FH PD ZNC YL	17
4 150	SCREW PAINT CUT 12-24X.25	15
999	INSTALLATION DRAWING	1



NOTES:

1. TRANSITION PANEL WORK WITH THE BAYS:
 NGF-ODF70S000000-1
 NGF-ODF80S000000-1
 NGF-ODF88S000000-1
 AND END GUARD NGF-ENCAP-25
- 2 USE THE SPACER F/N 012 FOR INSTALL THE TRANSITION PANEL WITH THE BAY.
- 3 USE THE BRACKET "T" F/N 060 WHEN INSTALLED THE END GUARD.
- 4 ARE INCLUDED SCREWS FOR INSTALLATION WITH THE BAY AND END GUARD.

CATALOG: NGF-ACCTTRAN01



INFORMATION ON THIS DOCUMENT IS PROPRIETARY TO ADC AND SHALL NOT BE USED, COPIED, REPRODUCED OR DISCLOSED IN WHOLE OR IN PART WITHOUT WRITTEN CONSENT OF ADC.		TITLE INSTALLATION DRAWING, VERTICAL TRANSITION	
ALL DIMS AND TOLERANCES ARE INCHES UNLESS OTHERWISE SPECIFIED	.XX:±N/A .XXX:±N/A ANGULAR:±N/A	C SIZE	DRAWING NUMBER 1667745
DO NOT SCALE DRAWING		ENGR: JOSE MENDOZA DWN: GUSTAVO CANO	A REV
		SHT. 1 OF 1	

**DIMENSIONS IN INCHES
THIRD ANGLE PROJECTION**