

# MTCP0610B4AL

---

Equipment Platform, 6 ft x 10 ft, four adjustable legs

**OBSOLETE**

## Product Classification

**Product Type** Equipment platform system

## General Specifications

**Legs, quantity** 4

## Dimensions

**Height** 762 mm | 30 in

**Width** 1,828.8 mm | 72 in

**Length** 3048 mm | 120 in

## Material Specifications

**Material Type** Hot dip galvanized steel

## Packaging and Weights

**Included** Frame | Grating | Hardware | Legs

**Packaging quantity** 1

**Weight, net** 590 kg | 1,300.726 lb

## Regulatory Compliance/Certifications

### Agency

CHINA-ROHS

ISO 9001:2015

REACH-SVHC

ROHS

### Classification

Below maximum concentration value

Designed, manufactured and/or distributed under this quality management system

Compliant as per SVHC revision on [www.commscope.com/ProductCompliance](http://www.commscope.com/ProductCompliance)

Compliant



## Included Products

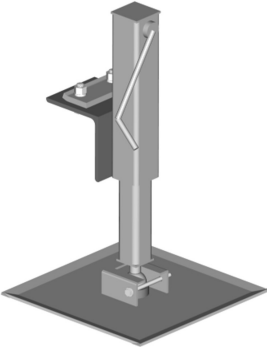
# MTCP0610B4AL

---

EQ-P-AL - Equipment Platform Adjustable  
Leg

# EQ-P-AL

---



Equipment Platform Adjustable Leg

## Product Classification

**Product Type**            Equipment platform system

## Dimensions

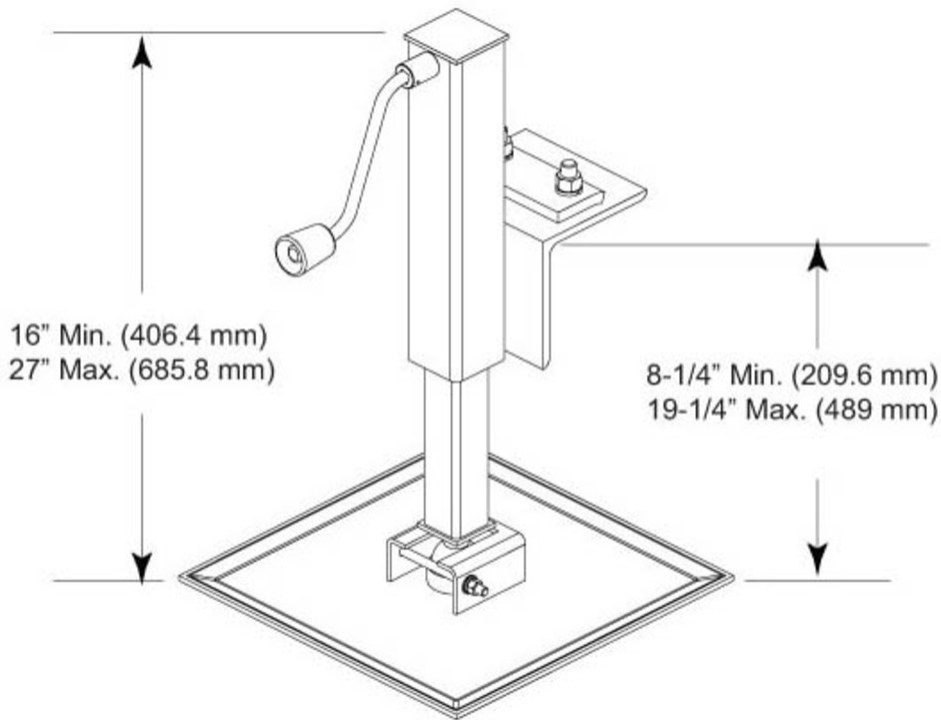
**Height**                    685.8 mm | 27 in

**Width**                     406.4 mm | 16 in

**Length**                    406.4 mm | 16 in

# EQ-P-AL

## Outline Drawing



## Material Specifications

**Material Type** Hot dip galvanized steel

## Packaging and Weights

**Included** Legs

**Packaging quantity** 1

**Weight, net** 20.4 kg | 44.974 lb

## Regulatory Compliance/Certifications

### Agency

ISO 9001:2015

### Classification

Designed, manufactured and/or distributed under this quality management system

