

MTCPO410B4AL

Equipment Platform, 4 ft x 10 ft, four adjustable legs

Product Classification

Product Type Equipment platform system

General Specifications

Legs, quantity 4

Dimensions

Height 762 mm | 30 in

Width 1,219.2 mm | 48 in

Length 3048 mm | 120 in

Material Specifications

Material Type Hot dip galvanized steel

Packaging and Weights

Included Frame | Grating | Hardware | Legs

Packaging quantity 1

Weight, net 499 kg | 1,100.105 lb

Regulatory Compliance/Certifications

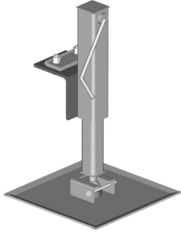
Agency	Classification
CHINA-ROHS	Below maximum concentration value
ISO 9001:2015	Designed, manufactured and/or distributed under this quality management system
REACH-SVHC	Compliant as per SVHC revision on www.commscope.com/ProductCompliance
ROHS	Compliant



Included Products

EQ-P-AL – Equipment Platform Adjustable Leg

EQ-P-AL



Equipment Platform Adjustable Leg

Product Classification

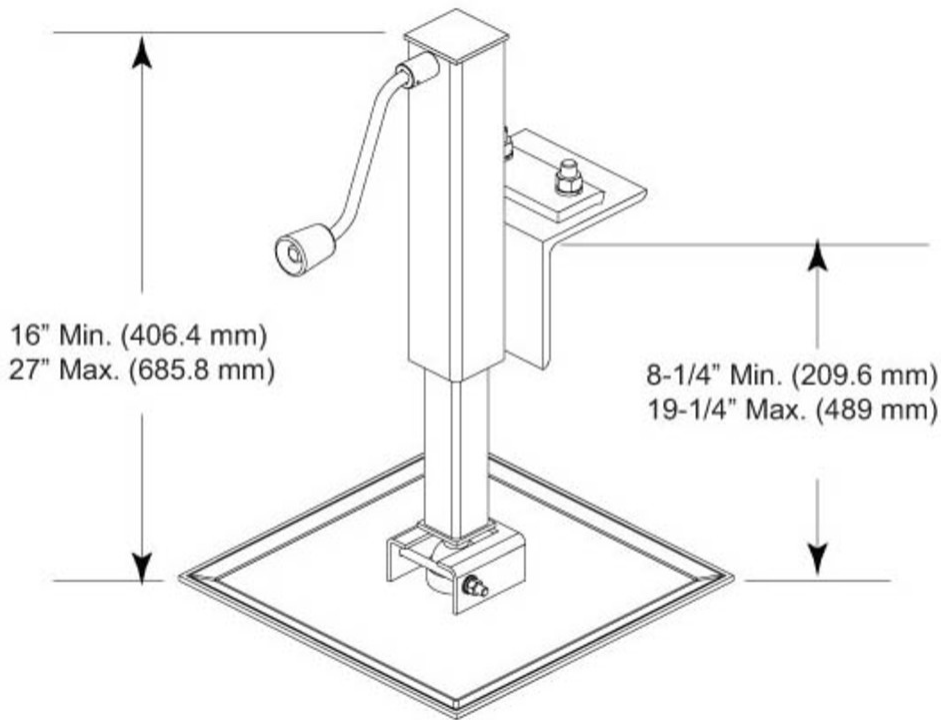
Product Type Equipment platform system

Dimensions

Height 685.8 mm | 27 in
Width 406.4 mm | 16 in
Length 406.4 mm | 16 in

EQ-P-AL

Outline Drawing



Material Specifications

Material Type Hot dip galvanized steel

Packaging and Weights

Included Legs

Packaging quantity 1

Weight, net 20.4 kg | 44.974 lb

Regulatory Compliance/Certifications

Agency

ISO 9001:2015

Classification

Designed, manufactured and/or distributed under this quality management system

