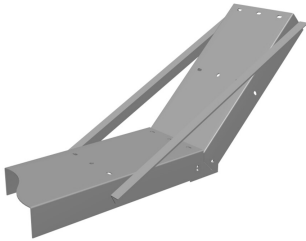


MT-F1704



Extension Kit for Bridge Kit for eight coaxial cable runs

Product Classification

Product Type Bridge kit

General Specifications

Cable Runs, quantity 8

Mounting Rooftop bridge kits

Dimensions

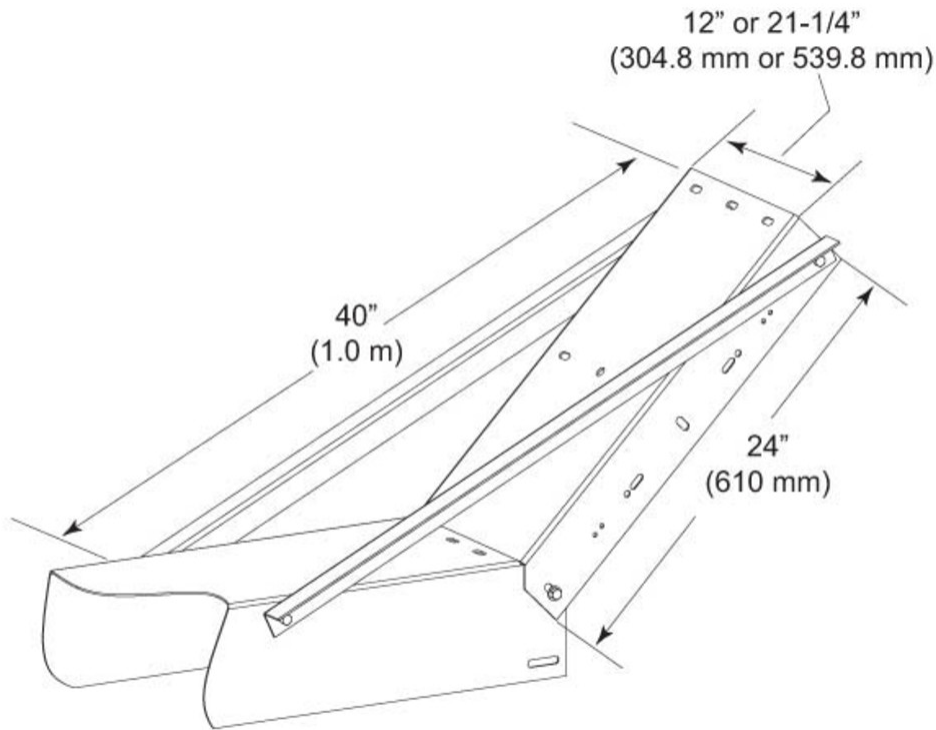
Height 508 mm | 20 in

Width 609.6 mm | 24 in

Length 1016 mm | 40 in

MT-F1704

Outline Drawing



Material Specifications

Material Type Galvanized steel

Mechanical Specifications

Wind Rating For Specifications, please contact steelproducts@commscope.com or call 800-255-1479

Packaging and Weights

Included Extension | Hardware

Packaging quantity 1

Weight, net 17.7 kg | 39.022 lb

Regulatory Compliance/Certifications

Agency	Classification
ISO 9001:2015	Designed, manufactured and/or distributed under this quality management system

MT-F1704



* Footnotes

Wind Rating

BWS—Base Wind Speed; FBC—Florida Building Code