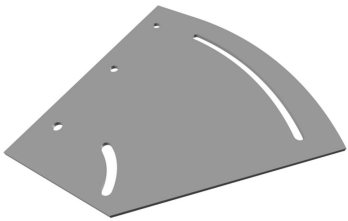


MT-F1573-11



Adjustable Splice for Bridge Kit for four coaxial cable runs

Product Classification

Product Type Splice kit

General Specifications

Cable Runs, quantity 4

Mounting Rooftop bridge kits

Dimensions

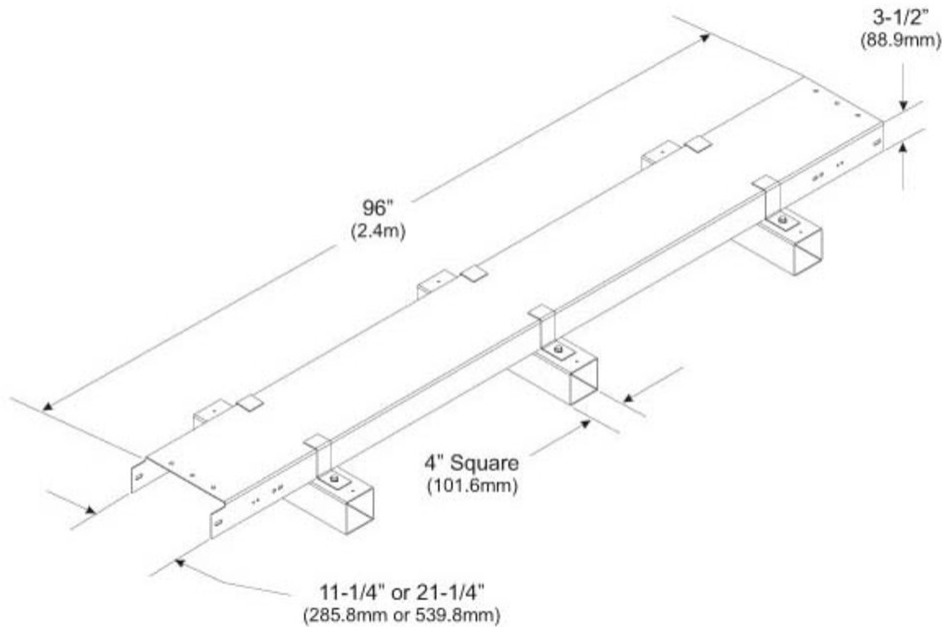
Height 25.4 mm | 1 in

Width 304.8 mm | 12 in

Length 304.8 mm | 12 in

MT-F1573-11

Outline Drawing



Material Specifications

Material Type Galvanized steel

Mechanical Specifications

Wind Rating For Specifications, please contact steelproducts@commscope.com or call 800-255-1479

Packaging and Weights

Included Hardware | Splices

Packaging quantity 1

Weight, net 1.7 kg | 3.748 lb

Regulatory Compliance/Certifications

Agency

ISO 9001:2015

Classification

Designed, manufactured and/or distributed under this quality management system



MT-F1573-11

* Footnotes

Wind Rating BWS—Base Wind Speed; FBC—Florida Building Code