

E15S08P94



Tower Mounted Amplifier, Dual UMTS 2100 with AISG

Product Classification

Product Type 1-BTS:1-ANT (Uniplex) | Tower mounted amplifier

General Specifications

Color Gray

Modularity 2-Twin

Mounting Pole | Wall

Mounting Pipe Hardware Band clamps (2)

RF Connector Interface 7-16 DIN Female

RF Connector Interface Body Style Long neck

Dimensions

Height 188 mm | 7.402 in

Width 170 mm | 6.693 in

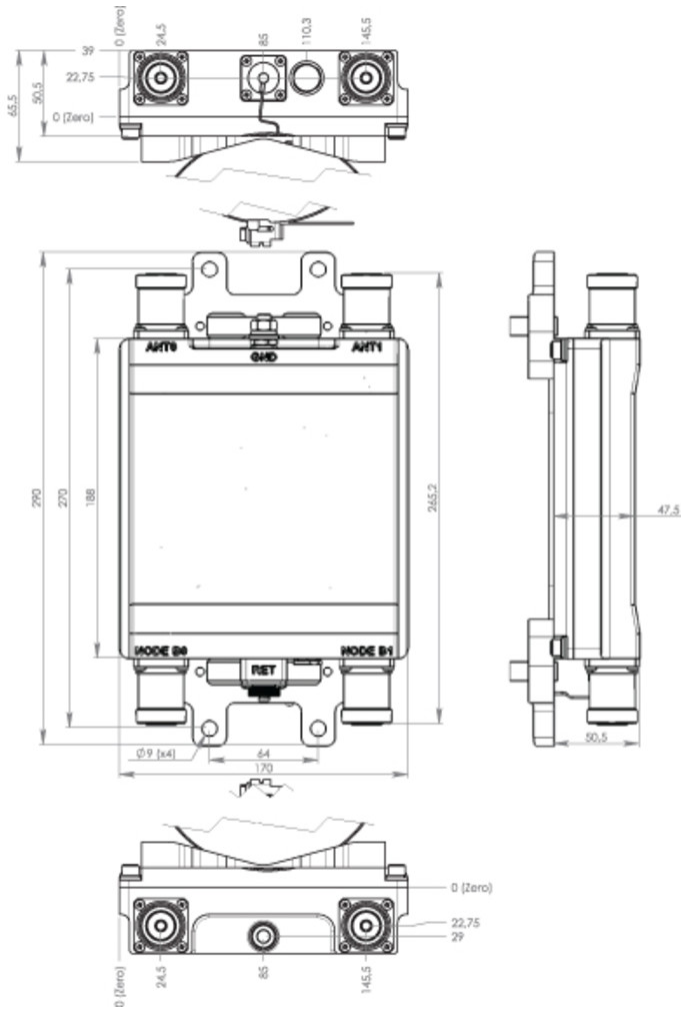
Depth 50 mm | 1.969 in

Ground Screw Diameter 8 mm | 0.315 in

Mounting Pipe Diameter Range 40–160 mm

E15S08P94

Outline Drawing



Electrical Specifications

License Band, LNA IMT 2100

Electrical Specifications, dc Power/Alarm

| | |
|---|---------------|
| dc Switching/Redundancy | Yes |
| Lightning Surge Current | 10 kA |
| Lightning Surge Current Waveform | 8/20 waveform |
| Operating Current at Voltage | 100 mA @ 12 V |
| Operating Current Tolerance | ± 15 mA |
| Voltage | 7–30 Vdc |

E15S08P94

Alarm Current, CWA Mode 250 mA ±15 mA

Electrical Specifications, AISG

AISG Connector 8-pin DIN Female

AISG Connector Standard IEC 60130-9

Protocol AISG 2.0

Voltage, AISG Mode 10–30 Vdc

Electrical Specifications

Sub-module 1 | 2

Branch 1

Port Designation ANT

License Band IMT 2100, LNA

Return Loss - Bypass Mode, typical, dB 19

TX Band Rejection, minimum, dB 70

Electrical Specifications Rx (Uplink)

Frequency Range, MHz 1965–1980

Bandwidth, MHz 15

Gain, nominal, dB 12

Gain Tolerance, dB ±1

Noise Figure, maximum, dB 1.4

Noise Figure, typical, dB 1.2

Group Delay Variation, maximum, ns 10

Group Delay Variation Bandwidth, MHz 5

Total Group Delay, maximum, ns 90

Output IP3, minimum, dBm 24

Return Loss, minimum, dB 18

Insertion Loss - Bypass Mode, typical, dB 3.9

Electrical Specifications Tx (Downlink)

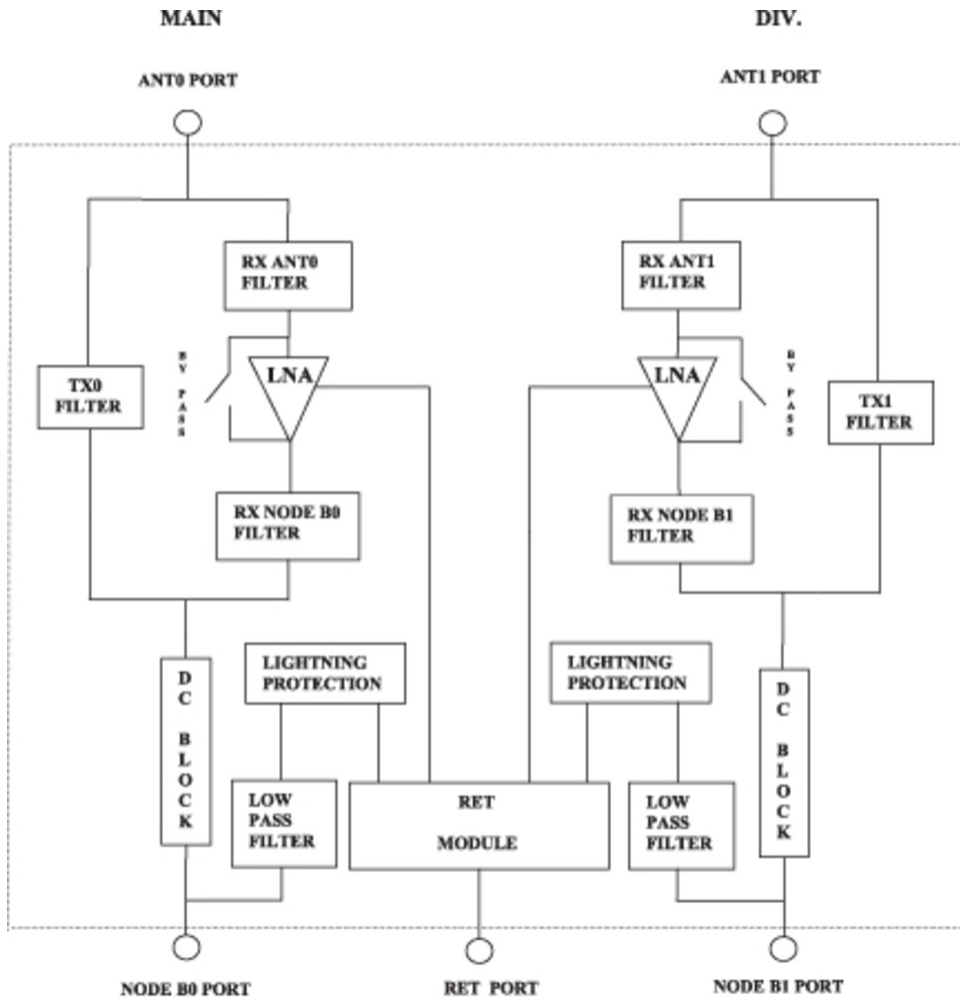
Frequency Range, MHz 2110–2170

E15S08P94

| | |
|---|------|
| Bandwidth, MHz | 60 |
| Insertion Loss, maximum, dB | 0.4 |
| Insertion Loss Ripple, maximum, dB | 0.1 |
| Group Delay Variation, maximum, ns | 3 |
| Group Delay Variation Bandwidth, MHz | 5 |
| Total Group Delay, maximum, ns | 18 |
| Return Loss, minimum, dB | 18 |
| RX Band Rejection, minimum, dB | 60 |
| Input Power, RMS, maximum, W | 160 |
| Input Power, PEP, maximum, W | 2500 |

E15S08P94

Block Diagram



Material Specifications

Finish Painted

Environmental Specifications

Operating Temperature -40 °C to +65 °C (-40 °F to +149 °F)

Relative Humidity Up to 100%

Corrosion Test Method IEC 60068-2-11, 30 days

Ingress Protection Test Method IEC 60529:2001, IP67

Packaging and Weights

E15S08P94

| | |
|--------------------|-------------------|
| Included | Mounting hardware |
| Volume | 1.6 L |
| Weight, net | 3.3 kg 7.275 lb |

Regulatory Compliance/Certifications

| Agency | Classification |
|---------------|--|
| ISO 9001:2015 | Designed, manufactured and/or distributed under this quality management system |



* Footnotes

| | |
|--------------------------|--|
| License Band, LNA | License Bands that have RxUplink amplification |
|--------------------------|--|