

# E15S08P92

---



Tower Mounted Amplifier, Dual UMTS 2100 with AISG

## Product Classification

**Product Type** 1-BTS:1-ANT (Uniplex) | Tower mounted amplifier

## General Specifications

**Color** Gray

**Modularity** 2-Twin

**Mounting** Pole | Wall

**Mounting Pipe Hardware** Band clamps (2)

**RF Connector Interface** 7-16 DIN Female

**RF Connector Interface Body Style** Long neck

## Dimensions

**Height** 188 mm | 7.402 in

**Width** 170 mm | 6.693 in

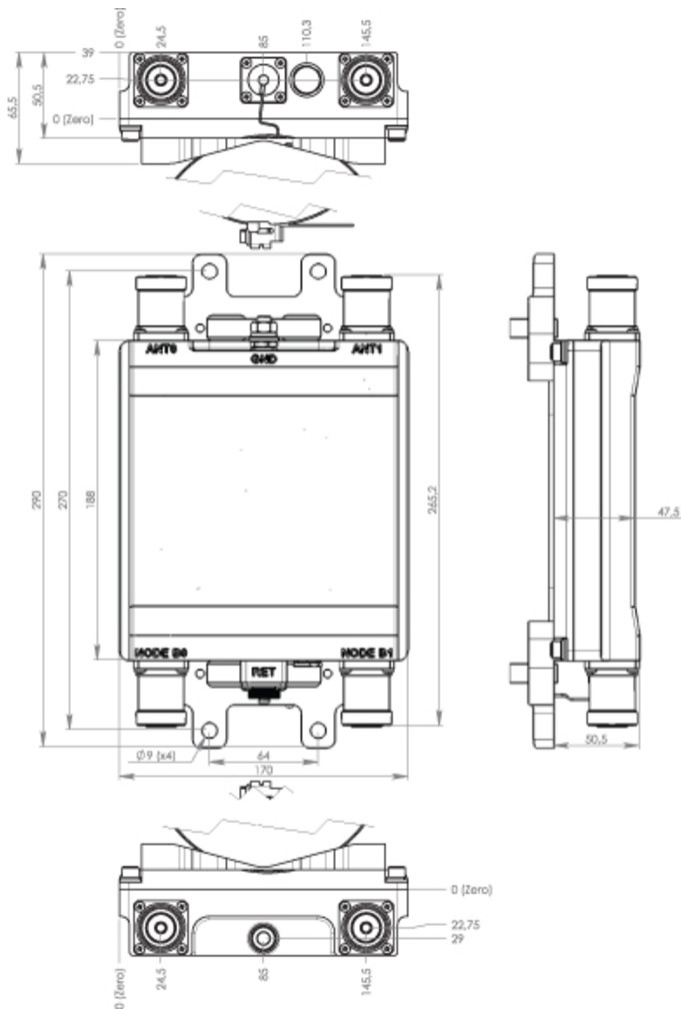
**Depth** 50 mm | 1.969 in

**Ground Screw Diameter** 8 mm | 0.315 in

**Mounting Pipe Diameter Range** 40–160 mm

# E15S08P92

## Outline Drawing



## Electrical Specifications

**License Band, LNA** IMT 2100

## Electrical Specifications, dc Power/Alarm

<b>dc Switching/Redundancy</b>	Yes
<b>Lightning Surge Current</b>	10 kA
<b>Lightning Surge Current Waveform</b>	8/20 waveform
<b>Operating Current at Voltage</b>	100 mA @ 12 V
<b>Operating Current Tolerance</b>	$\pm 15$ mA
<b>Voltage</b>	7–30 Vdc

# E15S08P92

---

**Alarm Current, CWA Mode** 250 mA ±15 mA

## Electrical Specifications, AISG

**AISG Connector** 8-pin DIN Female

**AISG Connector Standard** IEC 60130-9

**Protocol** AISG 1.1

**Voltage, AISG Mode** 10–30 Vdc

## Electrical Specifications

**Sub-module** 1 | 2

**Branch** 1

**Port Designation** ANT

**License Band** IMT 2100, LNA

**Return Loss - Bypass Mode, typical, dB** 19

**TX Band Rejection, minimum, dB** 70

## Electrical Specifications Rx (Uplink)

**Frequency Range, MHz** 1965–1980

**Bandwidth, MHz** 15

**Gain, nominal, dB** 12

**Gain Tolerance, dB** ±1

**Noise Figure, maximum, dB** 1.4

**Noise Figure, typical, dB** 1.2

**Group Delay Variation, maximum, ns** 10

**Group Delay Variation Bandwidth, MHz** 5

**Total Group Delay, maximum, ns** 90

**Output IP3, minimum, dBm** 24

**Return Loss, minimum, dB** 18

**Insertion Loss - Bypass Mode, typical, dB** 3.9

## Electrical Specifications Tx (Downlink)

**Frequency Range, MHz** 2110–2170

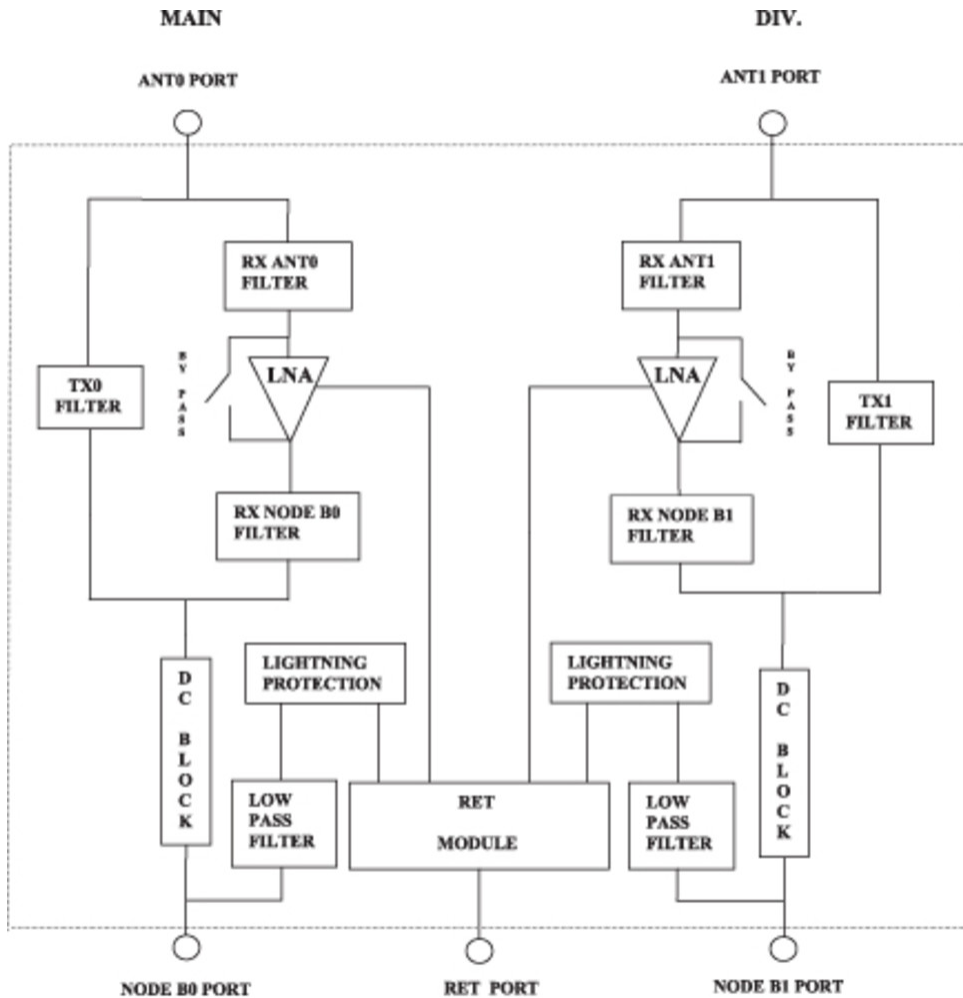
# E15S08P92

---

<b>Bandwidth, MHz</b>	60
<b>Insertion Loss, maximum, dB</b>	0.4
<b>Insertion Loss Ripple, maximum, dB</b>	0.1
<b>Group Delay Variation, maximum, ns</b>	3
<b>Group Delay Variation Bandwidth, MHz</b>	5
<b>Total Group Delay, maximum, ns</b>	18
<b>Return Loss, minimum, dB</b>	18
<b>RX Band Rejection, minimum, dB</b>	60
<b>Input Power, RMS, maximum, W</b>	160
<b>Input Power, PEP, maximum, W</b>	2500

# E15S08P92

## Block Diagram



## Material Specifications

**Finish** Painted

## Environmental Specifications

**Operating Temperature** -40 °C to +65 °C (-40 °F to +149 °F)

**Relative Humidity** Up to 100%

**Corrosion Test Method** IEC 60068-2-11, 30 days

**Ingress Protection Test Method** IEC 60529:2001, IP67

## Packaging and Weights

# E15S08P92

---

<b>Included</b>	Mounting hardware
<b>Volume</b>	1.6 L
<b>Weight, net</b>	3.3 kg   7.275 lb

## Regulatory Compliance/Certifications

<b>Agency</b>	<b>Classification</b>
ISO 9001:2015	Designed, manufactured and/or distributed under this quality management system



## \* Footnotes

<b>License Band, LNA</b>	License Bands that have RxUplink amplification
--------------------------	--