

UHF Female for 1/2 in LDF4-50A cable

**OBSOLETE**

This product was discontinued on: December 31, 2010

## Product Classification

<b>Product Type</b>	Wireless and radiating connector
<b>Product Brand</b>	HELIAX®

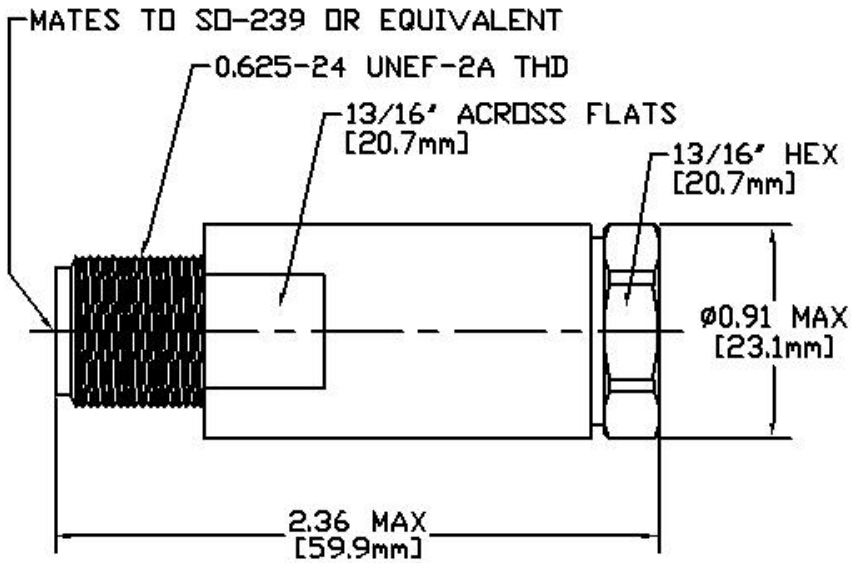
## General Specifications

<b>Body Style</b>	Straight
<b>Cable Family</b>	LDF4-50A
<b>Inner Contact Attachment Method</b>	Solder
<b>Inner Contact Plating</b>	Silver
<b>Interface</b>	UHF Female
<b>Mounting Angle</b>	Straight
<b>Outer Contact Attachment Method</b>	Self-flare
<b>Outer Contact Plating</b>	Unplated
<b>Pressurizable</b>	No

## Dimensions

<b>Length</b>	58.42 mm   2.3 in
<b>Diameter</b>	22.86 mm   0.9 in
<b>Nominal Size</b>	1/2 in

## Outline Drawing



## Electrical Specifications

<b>Insertion Loss Coefficient, typical</b>	0.05
<b>Cable Impedance</b>	50 ohm
<b>Operating Frequency Band</b>	0 – 2000 MHz

## VSWR/Return Loss

Frequency Band	VSWR	Return Loss (dB)
45–400 MHz	1.33	17
400–800 MHz	1.79	11
800–1200 MHz	2.62	7
1200–2000 MHz	3.57	5

## Mechanical Specifications

<b>Attachment Durability</b>	25 cycles
<b>Connector Retention Tensile Force</b>	889.64 N   200 lbf
<b>Connector Retention Torque</b>	5.42 N-m   47.998 in lb
<b>Interface Durability</b>	50 cycles

## Environmental Specifications

# L44U

---

**Attenuation, Ambient Temperature** 20 °C | 68 °F

**Average Power, Ambient Temperature** 40 °C | 104 °F

## Packaging and Weights

**Weight, net** 127 g | 0.28 lb

## \* Footnotes

**Insertion Loss Coefficient, typical**  $0.05\sqrt{\text{freq (GHz)}}$  (not applicable for elliptical waveguide)