

CF141NFPMS



Type N Female Panel Mount for 0.141 in CF141-50 cable

Product Classification

| | |
|-----------------------|----------------------------------|
| Product Type | Wireless and radiating connector |
| Product Series | CF141-50 |

General Specifications

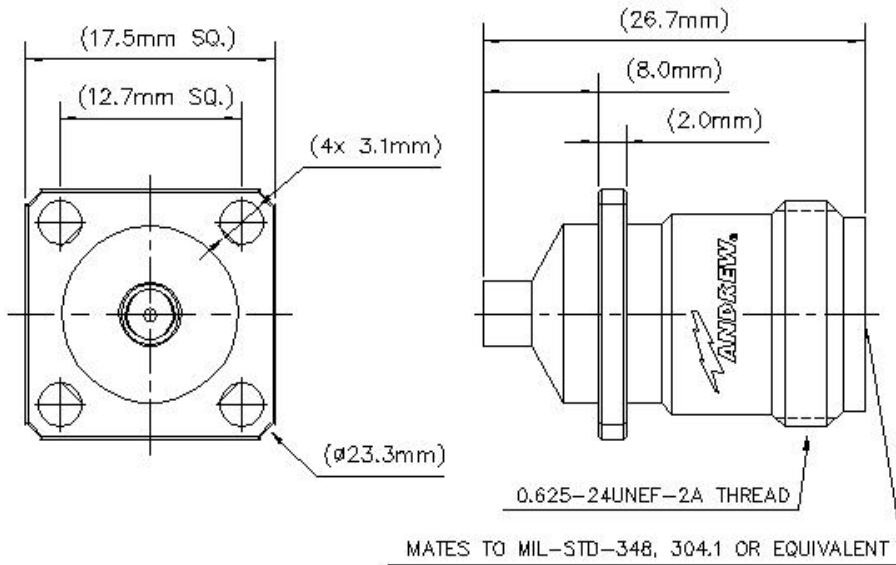
| | |
|--|-------------|
| Body Style | Panel mount |
| Cable Family | CF141-50 |
| Inner Contact Attachment Method | Solder |
| Inner Contact Plating | Gold |
| Interface | N Female |
| Mounting Angle | Straight |
| Outer Contact Attachment Method | Solder |
| Outer Contact Plating | Trimetal |
| Pressurizable | No |

Dimensions

| | |
|-----------------|--------------------|
| Height | 17.53 mm 0.69 in |
| Width | 17.53 mm 0.69 in |
| Length | 26.67 mm 1.05 in |
| Diameter | 17.53 mm 0.69 in |

Outline Drawing

C141NFPMS



Electrical Specifications

| | |
|---|----------------------|
| 3rd Order IMD at Frequency | -90 dBm @ 910 MHz |
| 3rd Order IMD Test Method | Two +43 dBm carriers |
| Average Power at Frequency | 0.4 kW @ 900 MHz |
| Cable Impedance | 50 ohm |
| Connector Impedance | 50 ohm |
| dc Test Voltage | 1900 V |
| Inner Contact Resistance, maximum | 1 mOhm |
| Insulation Resistance, minimum | 5000 MOhm |
| Operating Frequency Band | 0 – 6000 MHz |
| Outer Contact Resistance, maximum | 0.25 mOhm |
| Peak Power, maximum | 0.66 kW |
| RF Operating Voltage, maximum (vrms) | 671 V |
| Shielding Effectiveness | -100 dB |

Mechanical Specifications

| | |
|-------------------------------|--------------------|
| Insertion Force | 124.55 N 28 lbf |
| Insertion Force Method | IEC 61169-16:9.3.5 |
| Interface Durability | 500 cycles |

C141NFPMS

| | |
|-------------------------------------|----------------|
| Interface Durability Method | IEC 61169-4:17 |
| Mechanical Shock Test Method | IEC 60068-2-27 |

Environmental Specifications

| | |
|---|---------------------------------------|
| Operating Temperature | -55 °C to +85 °C (-67 °F to +185 °F) |
| Storage Temperature | -65 °C to +125 °C (-85 °F to +257 °F) |
| Attenuation, Ambient Temperature | 20 °C 68 °F |
| Average Power, Ambient Temperature | 40 °C 104 °F |
| Average Power, Inner Conductor Temperature | 100 °C 212 °F |
| Corrosion Test Method | IEC 60068-2-11 |
| Immersion Depth | 1 m |
| Immersion Test Mating | Mated |
| Immersion Test Method | IEC 60529:2001, IP68 |
| Moisture Resistance Test Method | IEC 60068-2-3 |
| Thermal Shock Test Method | IEC 60068-2-14 |
| Vibration Test Method | IEC 60068-2-6 |

Packaging and Weights

| | |
|--------------------|--------------------|
| Weight, net | 21.81 g 0.048 lb |
|--------------------|--------------------|

Regulatory Compliance/Certifications

| Agency | Classification |
|---------------|--|
| ISO 9001:2015 | Designed, manufactured and/or distributed under this quality management system |



* Footnotes

| | |
|------------------------|---|
| Immersion Depth | Immersion at specified depth for 24 hours |
|------------------------|---|