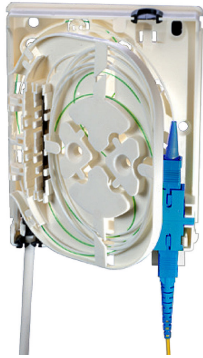


CZ8352-000 | HFTP-NO-L122-E



HFTP Customer premises fiber wall outlet, LC/UPC, two pigtails, two duplex adapters

- Compact fiber wall outlet for use at the final fiber termination point in the customer premises
- Can be wall mounted and mounted on wall boxes with fixation points of 60mm
- Direct termination with field installable connectors
- Laser safe with in-built individual shutters

Product Classification

Regional Availability	EMEA
Product Type	Outlet
Product Series	HFTP
Minimum Order Quantity	300

General Specifications

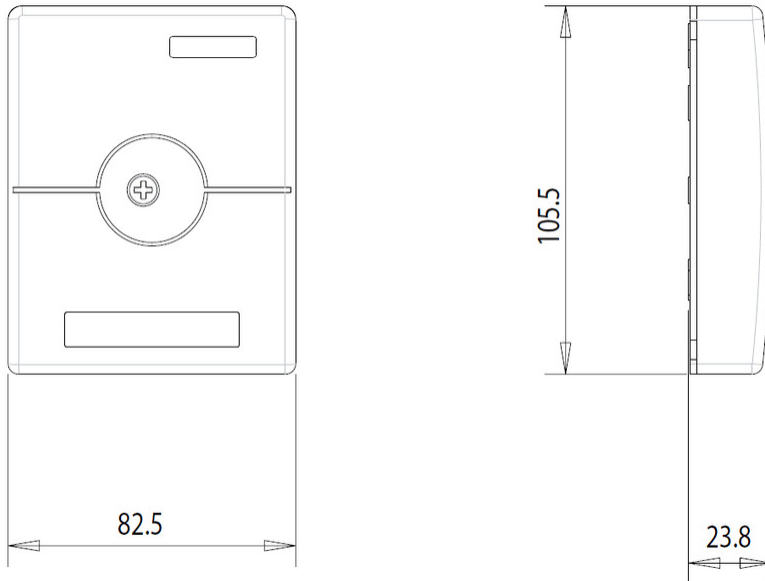
Color	White
Cover Type	Screw-on
Interface Type	LC/UPC
Mounting	Wall mount
Total Ports, quantity	4

Dimensions

Height	105.41 mm 4.15 in
Width	82.55 mm 3.25 in
Depth	23.876 mm 0.94 in

Outline Drawing

CZ8352-000 | HFTP-NO-L122-E



Material Specifications

Material Type LSZH thermoplastic

Optical Specifications

Fiber Mode Singlemode

Environmental Specifications

Storage Temperature -30 °C to +60 °C (-22 °F to +140 °F)

Relative Humidity Up to 93%, non-condensing

Environmental Space Indoor

Packaging and Weights

Packaging quantity 10

Regulatory Compliance/Certifications

Agency	Classification
CHINA-ROHS	Below maximum concentration value
REACH-SVHC	Compliant as per SVHC revision on www.commscope.com/ProductCompliance
ROHS	Compliant
UK-ROHS	Compliant



Included Products

- CK7246-000
HFTP-N0-NN00-E - HFTP Customer premises fiber wall outlet, no adapters, no pigtails, for splicing only

CK7246-000 | HFTP-NO-NN00-E



HFTP Customer premises fiber wall outlet, no adapters, no pigtails, for splicing only

- Compact fiber wall outlet for use at the final fiber termination point in the customer premises
- Can be wall mounted and mounted on wall boxes with fixation points of 60mm
- Direct termination with field installable connectors
- Laser safe with in-built individual shutters

Product Classification

Regional Availability	EMEA
Product Type	Outlet
Product Series	HFTP
Minimum Order Quantity	300

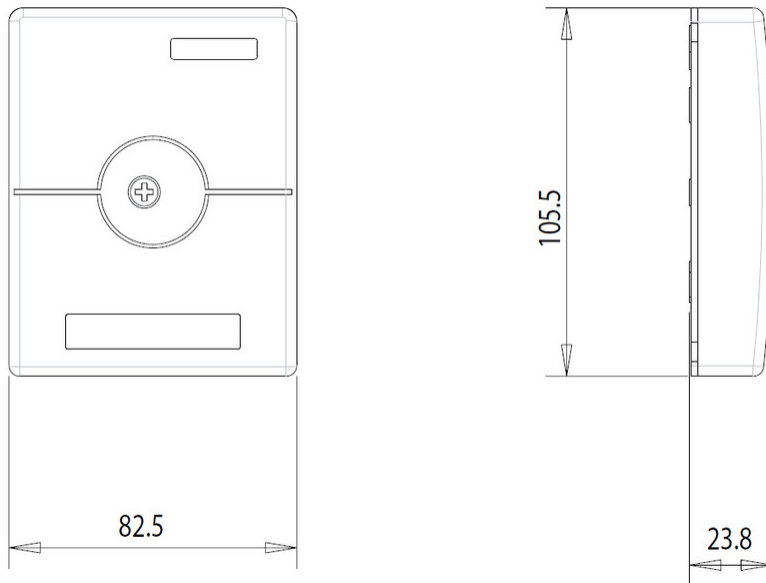
General Specifications

Color	White
Cover Type	Screw-on
Interface Type	Unloaded
Mounting	Wall mount
Port Capacity, maximum	4
Total Ports, quantity	0

Dimensions

Height	105.41 mm 4.15 in
Width	82.55 mm 3.25 in
Depth	23.876 mm 0.94 in

Outline Drawing



Material Specifications

Material Type LSZH thermoplastic

Optical Specifications

Fiber Mode Singlemode

Environmental Specifications

Storage Temperature -30 °C to +60 °C (-22 °F to +140 °F)

Relative Humidity Up to 93%, non-condensing

Environmental Space Indoor

Packaging and Weights

Packaging quantity 10

Regulatory Compliance/Certifications

Agency	Classification
CHINA-ROHS	Below maximum concentration value
REACH-SVHC	Compliant as per SVHC revision on www.commscope.com/ProductCompliance
ROHS	Compliant
UK-ROHS	Compliant

