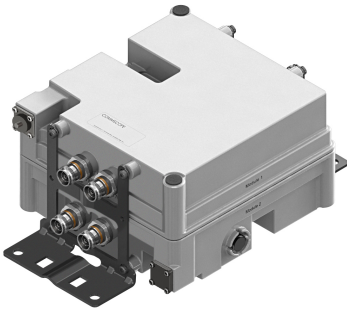


# E14R00P61

---



Dual Band Tower Mounted Amplifier, 700/800 MHz, 12 dB, 4 BTS & 2 ANT ports, AISG with 2 RET connector, with 4.3-10 connectors (1 device with 2 sub-units)

- Designed to boost UP-Link Coverage and KPIs
- TMA is operating in AISG & CWA mode, Alarm Current consumption CWA mode 190 mA
- 4 input ports and 2 output ports
- 1 device with 2 sub-units
- Dual AISG with 2 RET connectors
- New 4.3-10 connectors for improved PIM performance and size reduction

## Product Classification

**Product Type** 2-BTS:1-ANT | Tower mounted amplifier

## General Specifications

**Color** Gray

**Modularity** 2-Twin

**Mounting Pipe Hardware** Band clamps (2)

**RF Connector Interface** 4.3-10 Female

## Dimensions

**Height** 136 mm | 5.354 in

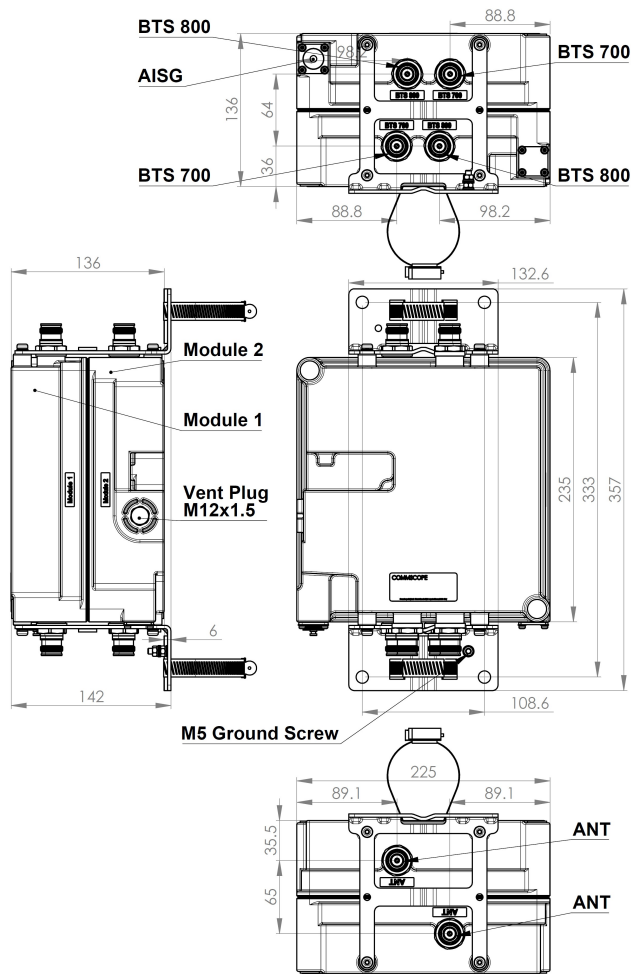
**Width** 225 mm | 8.858 in

**Depth** 235 mm | 9.252 in

**Mounting Pipe Diameter Range** 42.6–122 mm

## Outline Drawing

# E14R00P61



## Electrical Specifications, dc Power/Alarm

<b>dc Switching/Redundancy</b>	Yes
<b>Lightning Surge Current</b>	10 kA
<b>Lightning Surge Current Waveform</b>	8/20 waveform
<b>Voltage</b>	7–30 Vdc

## Electrical Specifications, AISG

<b>AISG Connector</b>	8-pin DIN Female
<b>AISG Connector Standard</b>	IEC 60130-9
<b>Protocol</b>	AISG 2.0
<b>Voltage, AISG Mode</b>	10–30 Vdc

# E14R00P61

## Electrical Specifications

<b>Sub-module</b>	<b>1   2</b>	<b>1   2</b>
<b>Branch</b>	1	2
<b>Port Designation</b>	BTS 700	BTS 800
<b>Return Loss, typical, dB</b>	20	20

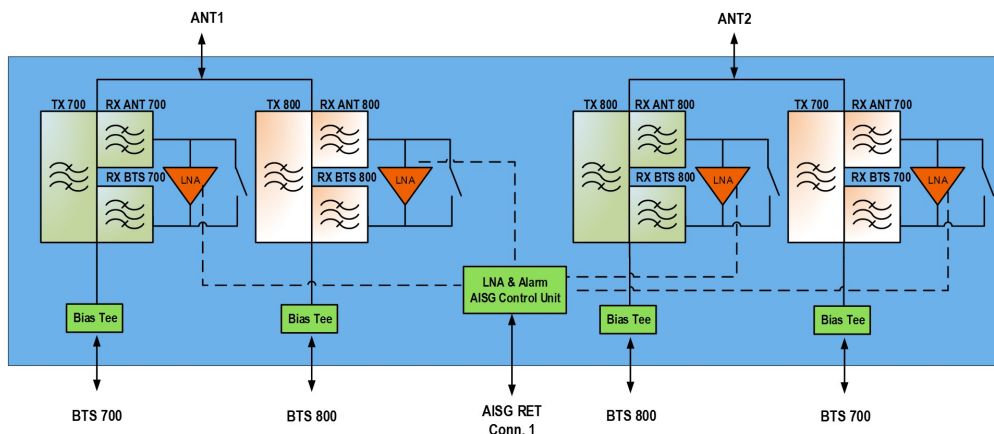
## Electrical Specifications Rx (Uplink)

<b>Frequency Range, MHz</b>	<b>718–723</b>	<b>832–842</b>
<b>Bandwidth, MHz</b>	5	10
<b>Gain, nominal, dB</b>	12	12
<b>Noise Figure, typical, dB</b>	1.3	1.5
<b>Total Group Delay, typical, ns</b>	80	145
<b>Insertion Loss - Bypass Mode, typical, dB</b>	1.8	1.8

## Electrical Specifications Tx (Downlink)

<b>Frequency Range, MHz</b>	<b>773–778</b>	<b>791–801</b>
<b>Bandwidth, MHz</b>	5	10
<b>Insertion Loss, typical, dB</b>	0.5	0.5
<b>Total Group Delay, typical, ns</b>	50	60
<b>Return Loss, typical, dB</b>	20	20
<b>Input Power, RMS, maximum, W</b>	200	200
<b>Input Power, PEP, maximum, W</b>	1000	1000
<b>3rd Order PIM, typical, dBc</b>	-161	-161
<b>3rd Order PIM Test Method</b>	Two +43 dBm carriers	Two +43 dBm carriers

## Block Diagram



# E14R00P61

---

## Environmental Specifications

<b>Operating Temperature</b>	-40 °C to +65 °C (-40 °F to +149 °F)
<b>Corrosion Test Method</b>	IEC 60068-2-11, 30 days
<b>Environmental Test Method</b>	ETSI EN 300 019-1-4
<b>Ingress Protection Test Method</b>	IEC 60529:2001, IP67

## Packaging and Weights

<b>Included</b>	Mounting hardware
<b>Volume</b>	7.2 L
<b>Weight, net</b>	10.5 kg   23.149 lb
<b>Weight, without mounting hardware</b>	9.5 kg   20.944 lb