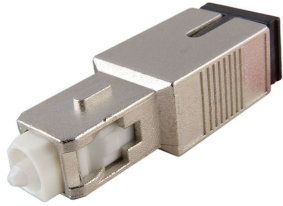


FOA-INSC12



Fiber Optic Power Reducing Build Out Attenuator, singlemode SC/UPC, 12dB

- Designed to reduce or balance the power in passive optical networks
- Insertable between the connector and the adapter and therefore suited for distribution frames, cabinets and boxes
- High system flexibility because of wave-length independency and polarization insensitivity

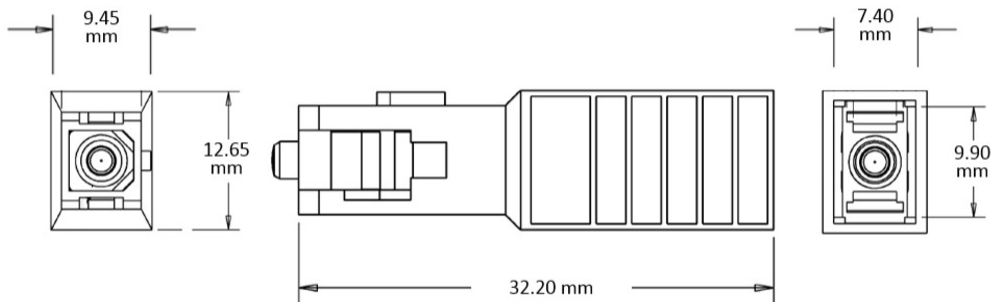
Product Classification

| | |
|------------------------------|-------------------------------|
| Regional Availability | Latin America North America |
| Product Type | Fiber attenuator |
| Product Series | FOA |

General Specifications

| | |
|------------------|--------|
| Interface | SC/UPC |
|------------------|--------|

Outline Drawing



Optical Specifications

| | |
|-----------------------------|------------|
| Fiber Mode | Singlemode |
| Fiber Type | G.652.D |
| Attenuation, nominal | 12 dB |

FOA-INSC12

| | |
|------------------------------------|----------------|
| Operating Wavelength | 1430 – 1625 nm |
| Optical Components Standard | GR-910 |
| Optical Power, maximum | 250 mW |
| Return Loss, minimum | 55 dB |

Environmental Specifications

| | |
|------------------------------|--------------------------------------|
| Operating Temperature | -40 °C to +75 °C (-40 °F to +167 °F) |
| Storage Temperature | -40 °C to +80 °C (-40 °F to +176 °F) |

Regulatory Compliance/Certifications

| Agency | Classification |
|---------------|--|
| CHINA-ROHS | Above maximum concentration value |
| REACH-SVHC | Compliant as per SVHC revision on www.commscope.com/ProductCompliance |
| ROHS | Compliant/Exempted |
| UK-ROHS | Compliant |

