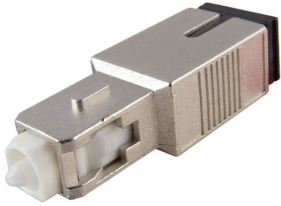


# FOA-INSC08



## Fiber Optic Power Reducing Build Out Attenuator, singlemode SC/UPC, 8dB

- Designed to reduce or balance the power in passive optical networks
- Insertable between the connector and the adapter and therefore suited for distribution frames, cabinets and boxes
- High system flexibility because of wave-length independency and polarization insensitivity

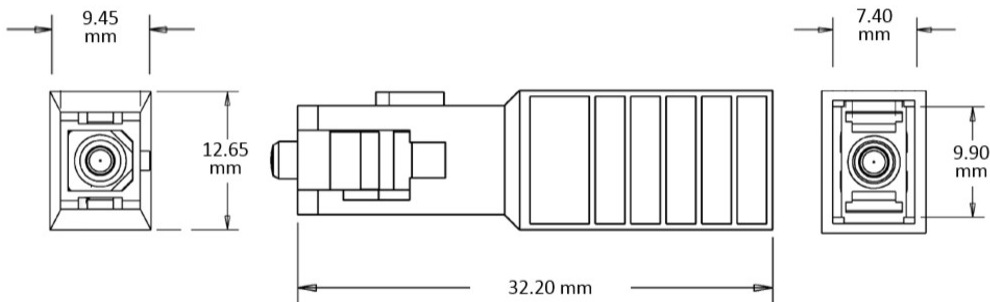
## Product Classification

<b>Regional Availability</b>	Latin America   North America
<b>Product Type</b>	Fiber attenuator
<b>Product Series</b>	FOA

## General Specifications

<b>Interface</b>	SC/UPC
------------------	--------

## Outline Drawing



## Optical Specifications

<b>Fiber Mode</b>	Singlemode
<b>Fiber Type</b>	G.652.D
<b>Attenuation, nominal</b>	8 dB

# FOA-INSC08

---

<b>Operating Wavelength</b>	1430 – 1625 nm
<b>Optical Components Standard</b>	GR-910
<b>Optical Power, maximum</b>	250 mW
<b>Return Loss, minimum</b>	55 dB

## Environmental Specifications

<b>Operating Temperature</b>	-40 °C to +75 °C (-40 °F to +167 °F)
<b>Storage Temperature</b>	-40 °C to +80 °C (-40 °F to +176 °F)

## Regulatory Compliance/Certifications

<b>Agency</b>	<b>Classification</b>
CHINA-ROHS	Above maximum concentration value
REACH-SVHC	Compliant as per SVHC revision on <a href="http://www.commscope.com/ProductCompliance">www.commscope.com/ProductCompliance</a>
ROHS	Compliant/Exempted
UK-ROHS	Compliant/Exempted

