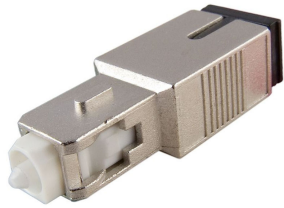


# FOA-INSC15



Fiber Optic Power Reducing Build Out Attenuator, singlemode SC/UPC, 15dB

- Designed to reduce or balance the power in passive optical networks
- Insertable between the connector and the adapter and therefore suited for distribution frames, cabinets and boxes
- High system flexibility because of wave-length independency and polarization insensitivity

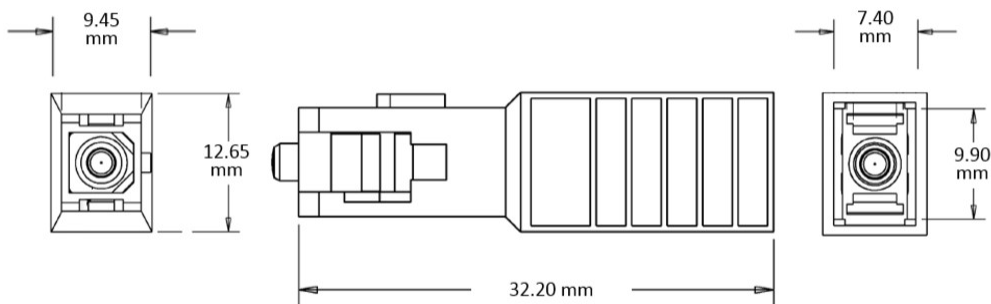
## Product Classification

|                              |                               |
|------------------------------|-------------------------------|
| <b>Regional Availability</b> | Latin America   North America |
| <b>Product Type</b>          | Fiber attenuator              |
| <b>Product Series</b>        | FOA                           |

## General Specifications

|                  |        |
|------------------|--------|
| <b>Interface</b> | SC/UPC |
|------------------|--------|

## Outline Drawing



## Optical Specifications

|                             |            |
|-----------------------------|------------|
| <b>Fiber Mode</b>           | Singlemode |
| <b>Fiber Type</b>           | G.652.D    |
| <b>Attenuation, nominal</b> | 15 dB      |

# FOA-INSC15

---

|                                    |                |
|------------------------------------|----------------|
| <b>Operating Wavelength</b>        | 1430 – 1625 nm |
| <b>Optical Components Standard</b> | GR-910         |
| <b>Optical Power, maximum</b>      | 250 mW         |
| <b>Return Loss, minimum</b>        | 55 dB          |

## Environmental Specifications

|                              |                                      |
|------------------------------|--------------------------------------|
| <b>Operating Temperature</b> | -40 °C to +75 °C (-40 °F to +167 °F) |
| <b>Storage Temperature</b>   | -40 °C to +80 °C (-40 °F to +176 °F) |

## Regulatory Compliance/Certifications

| <b>Agency</b> | <b>Classification</b>  |
|---------------|--|
| CHINA-ROHS    | Above maximum concentration value  |
| REACH-SVHC    | Compliant as per SVHC revision on <a href="http://www.commscope.com/ProductCompliance">www.commscope.com/ProductCompliance</a> |
| ROHS          | Compliant/Exempted   |
| UK-ROHS       | Compliant/Exempted   |

