

ETM19V2S12UB | E15S09P84



Tower Mounted Amplifier, Diplexed ANT/BTS Ports, Dual Band PCS /AWS with AISG

OBSOLETE

Replaced By:

TMAT1921B68-21-43
E14R00P09

Tower Mounted Amplifier, Twin Diplexed PCS/AWS 1-4, 555-894 MHz bypass 4.3-10

Product Classification

Product Type 1-BTS:1-ANT (Uniplex) | Tower mounted amplifier

General Specifications

Color Gray

Modularity 1-Single

Mounting Pole | Wall

Mounting Pipe Hardware Band clamps (2)

RF Connector Interface 7-16 DIN Female

RF Connector Interface Body Style Long neck

Dimensions

Height 255 mm | 10.039 in

Width 218 mm | 8.583 in

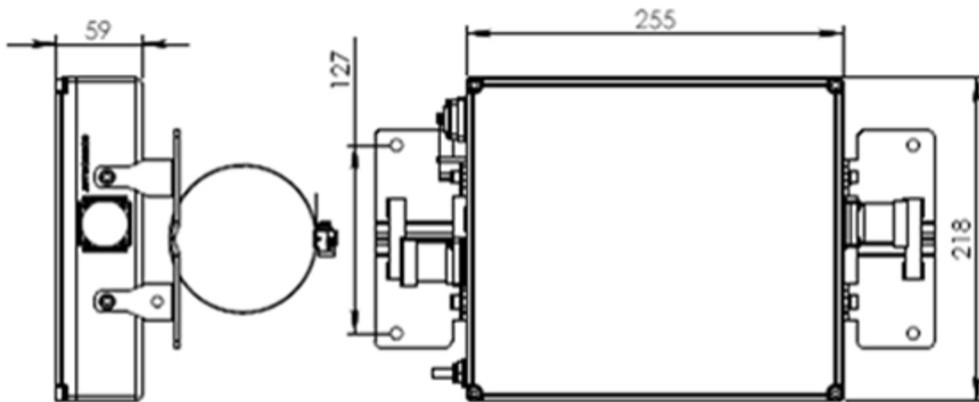
Depth 59 mm | 2.323 in

Ground Screw Diameter 6 mm | 0.236 in

Mounting Pipe Diameter Range 40-160 mm

Outline Drawing

ETM19V2S12UB | E15S09P84



Electrical Specifications, dc Power/Alarm

Lightning Surge Current	20 kA
Lightning Surge Current Waveform	8/20 waveform
Operating Current at Voltage	130 mA @ 12 V
Operating Current Tolerance	±20 mA
Voltage	7–30 Vdc
Voltage, CWA Mode	10–18 Vdc
Alarm Current, CWA Mode	190 mA ±10 mA

Electrical Specifications, AISG

AISG Carrier	2.176 MHz ± 100 ppm
AISG Connector	8-pin DIN Female
AISG Connector Standard	IEC 60130-9
Protocol	AISG 2.0
Voltage, AISG Mode	10–30 Vdc

Electrical Specifications

Sub-module	1	1
Branch	1	2
Port Designation	ANT	ANT
AISG 2.0 Device Subunit	E15S09P84 1	E15S09P84 2

ETM19V2S12UB | E15S09P84

License Band	AWS 1700, LNA	PCS 1900, LNA
Return Loss - Bypass Mode, typical, dB	16	16

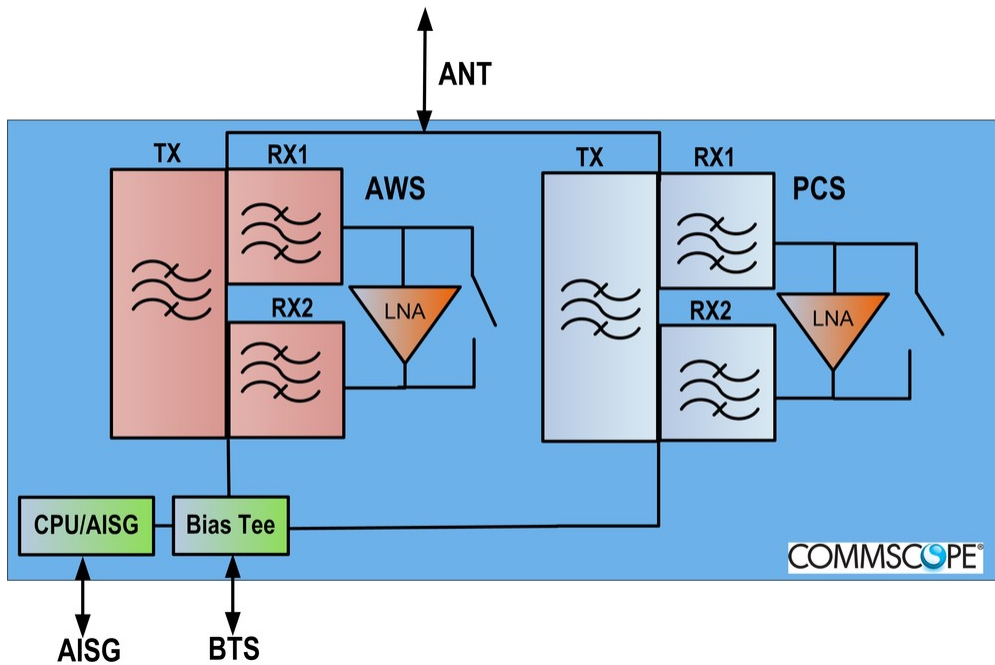
Electrical Specifications Rx (Uplink)

Frequency Range, MHz	1710–1755	1850–1910
Bandwidth, MHz	45	60
Gain, nominal, dB	12	12
Gain Tolerance, dB	±1	±1
Noise Figure, typical, dB	1.3	1.7
Group Delay Variation, maximum, ns	10	10
Group Delay Variation Bandwidth, MHz	5	0.24
Total Group Delay, maximum, ns	50	150
Output IP3, minimum, dBm	20	20
Return Loss, minimum, dB	18	18
Insertion Loss - Bypass Mode, typical, dB	1.9	2.9

Electrical Specifications Tx (Downlink)

Frequency Range, MHz	2110–2155	1930–1990
Bandwidth, MHz	45	60
Insertion Loss, maximum, dB	0.3	0.7
Group Delay Variation, maximum, ns	8	18
Group Delay Variation Bandwidth, MHz	5	5
Total Group Delay, maximum, ns	15	55
Return Loss, minimum, dB	18	18
3rd Order PIM, typical, dBc	-153	-153
3rd Order PIM Test Method	1 x 20 W AWS CW tone 1 x 20 W PCS CW tone	2 x 20 W CW tones

Block Diagram



Material Specifications

Finish Painted

Mechanical Specifications

Wind Speed, maximum 200 km/h | 124.274 mph

Environmental Specifications

Operating Temperature -40 °C to +65 °C (-40 °F to +149 °F)

Relative Humidity Up to 100%

Corrosion Test Method IEC 60068-2-11, 30 days

Ingress Protection Test Method IEC 60529:2001, IP67

Packaging and Weights

Included Mounting hardware

Volume 3.3 L

Weight, net 5.1 kg | 11.244 lb