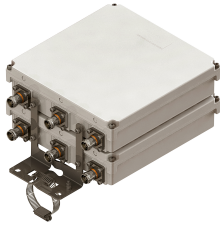


# E14F10P10

---



2X Triplexer 694-862/880-960/1800-2100-2300-2600, DC Smart Bypass, with 4.3-10 connectors

- Industry leading PIM performance
- Twin configuration
- New 4.3-10 connectors for improved PIM performance and size reduction
- Designed for network modernization application, introduction of LTE700 and LTE800 on existing site

## Product Classification

**Product Type** Triplexer

## General Specifications

**Color** Gray

**Common Port Label** COMM

**Modularity** 2-Twin

**Mounting** Pole | Wall

**Mounting Pipe Hardware** Band clamps (2)

**RF Connector Interface** 4.3-10 Female

**RF Connector Interface Body Style** Medium neck

## Dimensions

**Height** 257 mm | 10.118 in

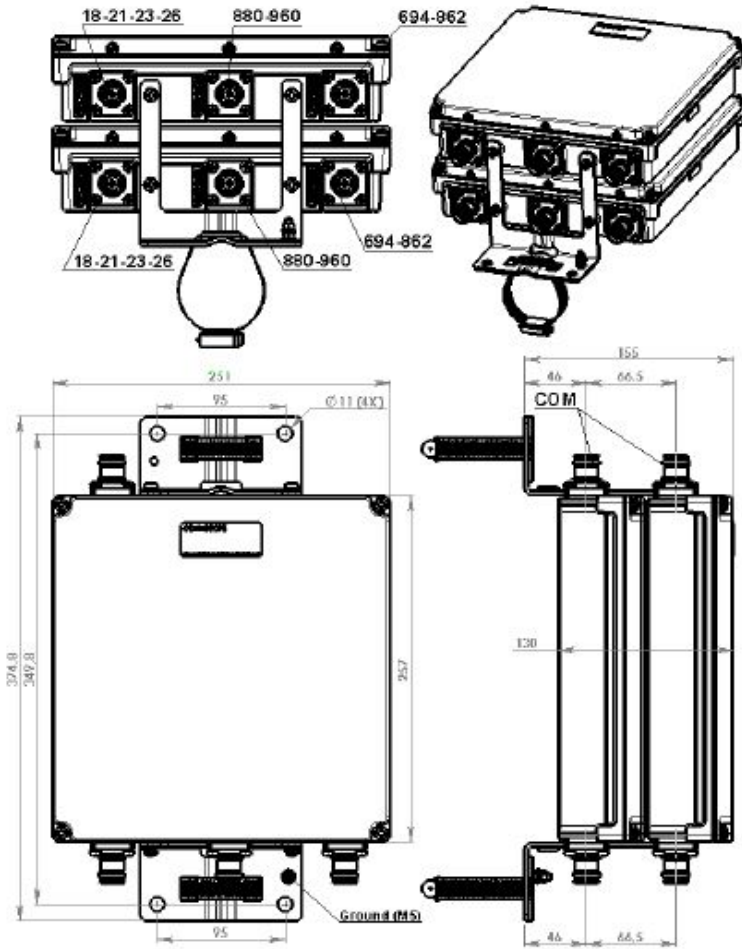
**Width** 251 mm | 9.882 in

**Depth** 130 mm | 5.118 in

**Mounting Pipe Diameter Range** 42.6–122 mm

## Outline Drawing

# E14F10P10



## Electrical Specifications

<b>Impedance</b>	50 ohm
<b>License Band, Band Pass</b>	APT 700   CEL 900   DCS 1800   EDD 800   IMT 2100   IMT 2600   LMR 900   TDD 2300

## Electrical Specifications, dc Power/Alarm

<b>dc/AISG Pass-through, combiner</b>	Autosensing
<b>dc/AISG Pass-through, demultiplexer</b>	Autosensing
<b>Lightning Surge Current</b>	5 kA
<b>Lightning Surge Current Waveform</b>	8/20 waveform

## Electrical Specifications

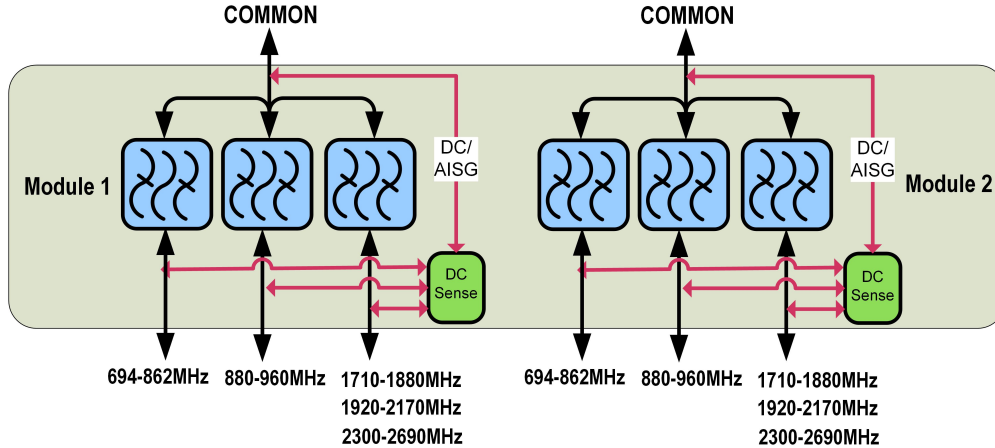
# E14F10P10

<b>Sub-module</b>	<b>1   2</b>	<b>1   2</b>	<b>1   2</b>
<b>Branch</b>	1	2	3
<b>Port Designation</b>	18-21-23-26	880-960	694-862
<b>License Band</b>	DCS 1800, Band Pass IMT 2100, Band Pass TDD 2300, Band Pass IMT 2600, Band Pass	CEL 900, Band Pass LMR 900, Band Pass	APT 700, Band Pass EDD 800, Band Pass

## Electrical Specifications, Band Pass

Frequency Range, MHz	1710-1880 1920-2170 2300-2690	880-960	694-862
<b>Insertion Loss, typical, dB</b>	0.35	0.3	0.35
<b>Return Loss, typical, dB</b>	20	20	20
<b>Isolation, minimum, dB</b>	50	50	50
<b>Input Power, RMS, maximum, W</b>	300	300	300
<b>Input Power, PEP, maximum, W</b>	3000	3000	3000
<b>3rd Order PIM, typical, dBc</b>	-160	-160	-160
<b>3rd Order PIM Test Method</b>	Two +43 dBm carriers	Two +43 dBm carriers	Two +43 dBm carriers

## Block Diagram



## Environmental Specifications

<b>Operating Temperature</b>	-40 °C to +60 °C (-40 °F to +140 °F)
<b>Relative Humidity</b>	Up to 100%
<b>Corrosion Test Method</b>	IEC 60068-2-11, 30 days
<b>Ingress Protection Test Method</b>	IEC 60529:2001, IP67

# E14F10P10

---

## Packaging and Weights

<b>Included</b>	Mounting hardware
<b>Volume</b>	8.4 L
<b>Weight, net</b>	8.2 kg   18.078 lb

## Regulatory Compliance/Certifications

<b>Agency</b>	<b>Classification</b>
ISO 9001:2015	Designed, manufactured and/or distributed under this quality management system

