

DSR-6400

Commercial Integrated Receivers/Transcoders



PRODUCT OVERVIEW

The DSR-6400 series Integrated Receivers/Transcoders employ the ARRIS fourth generation transcoding technology, incorporating the very latest encoding advancements. The performance gains found in the DSR-6400 series deliver programmers and cable operators a premium distribution solution for even the most demanding video content.

Purposefully designed for scalability, the DSR-6400 series is available in configurations capable of transcoding from one up to four input services. The DSR-6400 series' transcoding power supports simultaneous MPEG-2 HD and MPEG-2 SD output plus pass-through for each input service.

Packaged in a one-RU chassis, the DSR-6400 series comes equipped with industry standard input and output interfaces such as Gig-E and ASI that enable seamless connections to headend equipment. With advanced modulation support, the DSR-6400 series supports DVB-S2 8PSK to provide maximum satellite bandwidth efficiency.

KEY FEATURES

- Up to 8 transcoded output services
- Compatible with MPEG-4 HD, MPEG-4 SD and MPEG-2 HD video sources
- Simultaneous HD and SD transport stream output for each HD input
- Advanced modulation support with DVB-S2
- Gig-E and ASI transport input and output
- Eight RF inputs (L-Band)
- AFD processing support
- Composite video (DSR-6401) and dedicated OSD outputs
- DigiCipher® II conditional access control
- Ethernet port for SNMP and web browser monitoring and control
- One-RU chassis design

SPECIFICATIONS

L-Band Input

Input Frequency	950 - 2150 MHz
Input Impedance	75 Ω
Input Connectors	Eight (8) F-type
LNB Power Out	16V DC min/450 mA
Port-to-Port Isolation	40 db (minimum)

Digital Processing

Modulation Modes	DVB-S2, 8PSK Turbocodes and DCII QPSK
------------------	---------------------------------------

Symbol Rates

DVB-S2	3 to 33 Msps
8PSK Turbocodes	3 to 30 Msps
DCII QPSK	3.25 to 29.27 Msps

FEC Rates

DVB-S2/8PSK	3/5, 2/3, 3/4, 5/6, 8/9, 9/10
8PSK Turbocodes	2/3 (1.9), 3/4 (2.05), 3/4 (2.11), 3/4 (2.19), 5/6 (2.30), 8/9 (2.40)
DCII QPSK	1/2, 3/5, 2/3, 3/4, 4/5, 5/6, 7/8

Transcoder Inputs

Compression Formats	MPEG-4 and MPEG-2
HD Resolution	1080i 25/29.97 fps, 720p50/59.94 fps
SD Resolution	480i 29.97 fps and 576i 25 fps

Transcoder Outputs

Compression Formats	MPEG-2
HD Resolution	1080i 25/29.97 fps, 720p50/59.94 fps
SD Resolution	480i 29.97 fps and 576i 25 fps
Aspect Ratio Conversion (HD down-conversion)	4x3 center-cut, 4x3 letterbox, 14:9 and anamorphic

SPECIFICATIONS (CONTINUED)

Composite Video Output

Frequency Response (NTSC)	±0.9 dB, 1kHz–4.2 MHz
---------------------------	-----------------------

Output Impedance	75 Ω
------------------	------

Output Level	1.0 V p-p ± 10%
--------------	-----------------

Connectors	Two BNC (one with OSD)
------------	------------------------

Audio Output

Output	Two stereo pair or four mono
--------	------------------------------

Frequency Response	±0.5 dB, 20 Hz to 20 kHz
--------------------	--------------------------

Audio Impedance	600 Ω load
-----------------	------------

Peak Audio Level	±16.0 dBu ± 1.0 dB
------------------	--------------------

Connectors	Quick disconnect screw terminal
------------	---------------------------------

Ethernet Management Port

Connector	RJ-45
-----------	-------

Format	10/100BaseT
--------	-------------

GigE Interface

Connector	RJ-45
-----------	-------

Format	10/100/1000BaseT
--------	------------------

ASI Interface

Format	Asynchronous Serial Interface
--------	-------------------------------

Transmission	Byte or packet mode
--------------	---------------------

Standard	CENELEC EN 50083-9
----------	--------------------

Connectors	BNC (two out, one in)
------------	-----------------------

Contact Closures/Cue Tones

Number of Contact Closures	Four (one alarm)
----------------------------	------------------

Contact Closure Type	Form C
----------------------	--------

Number of Cue Tone Outputs	4
----------------------------	---

Physical

Width	18.9 in (48cm)
-------	----------------

Depth	24.9 in (63.2 cm)
-------	-------------------

Height	1.65 in (4.2cm)
--------	-----------------

Weight	12.5 lb (5.7 kg) approx
--------	-------------------------

Power Input	100-240 VAC, 50-60Hz, 85W max
-------------	-------------------------------

Operating Temperature	0 °C to 40 °C
-----------------------	---------------

Humidity	95% relative maximum
----------	----------------------

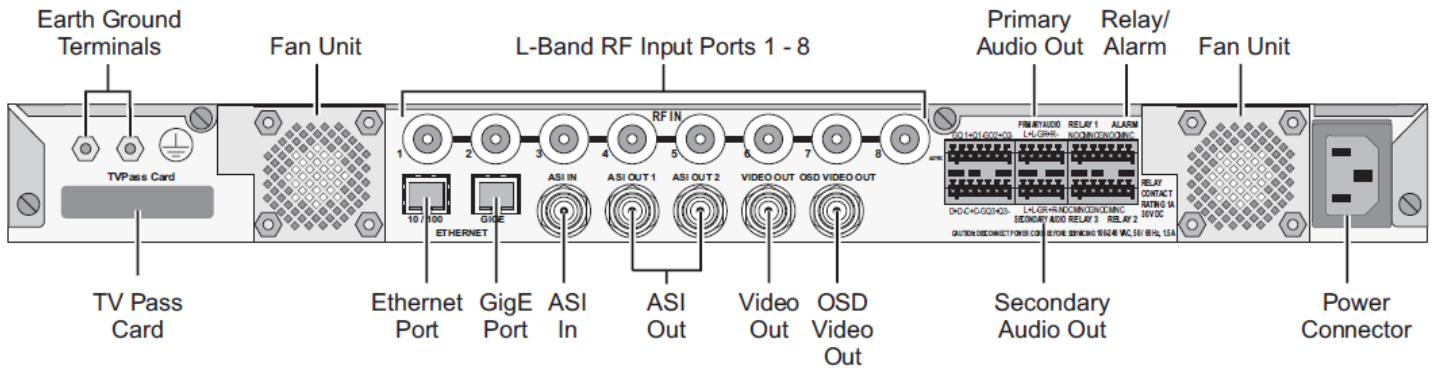
Display	Two line, 40-character LCD
---------	----------------------------

Other

Limited Warranty	One year
------------------	----------

Compliance	UL listed/approved, FCC part 15
------------	---------------------------------

DSR-6400 REAR PANEL



MODEL AND ORDERING INFORMATION

Model Name	Part Number	Description
DSR-6401	582744-001-00	Single Channel Transcoder
DSR-6402	582743-001-00	Two Channel Transcoder
DSR-6403	584840-001-00	Three Channel Transcoder
DSR-6404	581757-001-00	Four Channel Transcoder

CUSTOMER CARE

Contact Customer Care for product information and sales:

- United States: 866-36-ARRIS
- International: +1-678-473-5656

Note: Specifications are subject to change without notice. **Copyright Statement:** © 2016 ARRIS Enterprises, LLC. All rights reserved. No part of this publication may be reproduced in any form or by any means or used to make any derivative work (such as translation, transformation, or adaptation) without written permission from ARRIS Enterprises, LLC ("ARRIS"). ARRIS reserves the right to revise this publication and to make changes in content from time to time without obligation on the part of ARRIS to provide notification of such revision or change. ARRIS and the ARRIS logo are registered trademarks of ARRIS Enterprises, LLC. All rights reserved. Other trademarks and trade names may be used in this document to refer to either the entities claiming the marks or the names of their products. ARRIS disclaims proprietary interest in the marks and names of others.