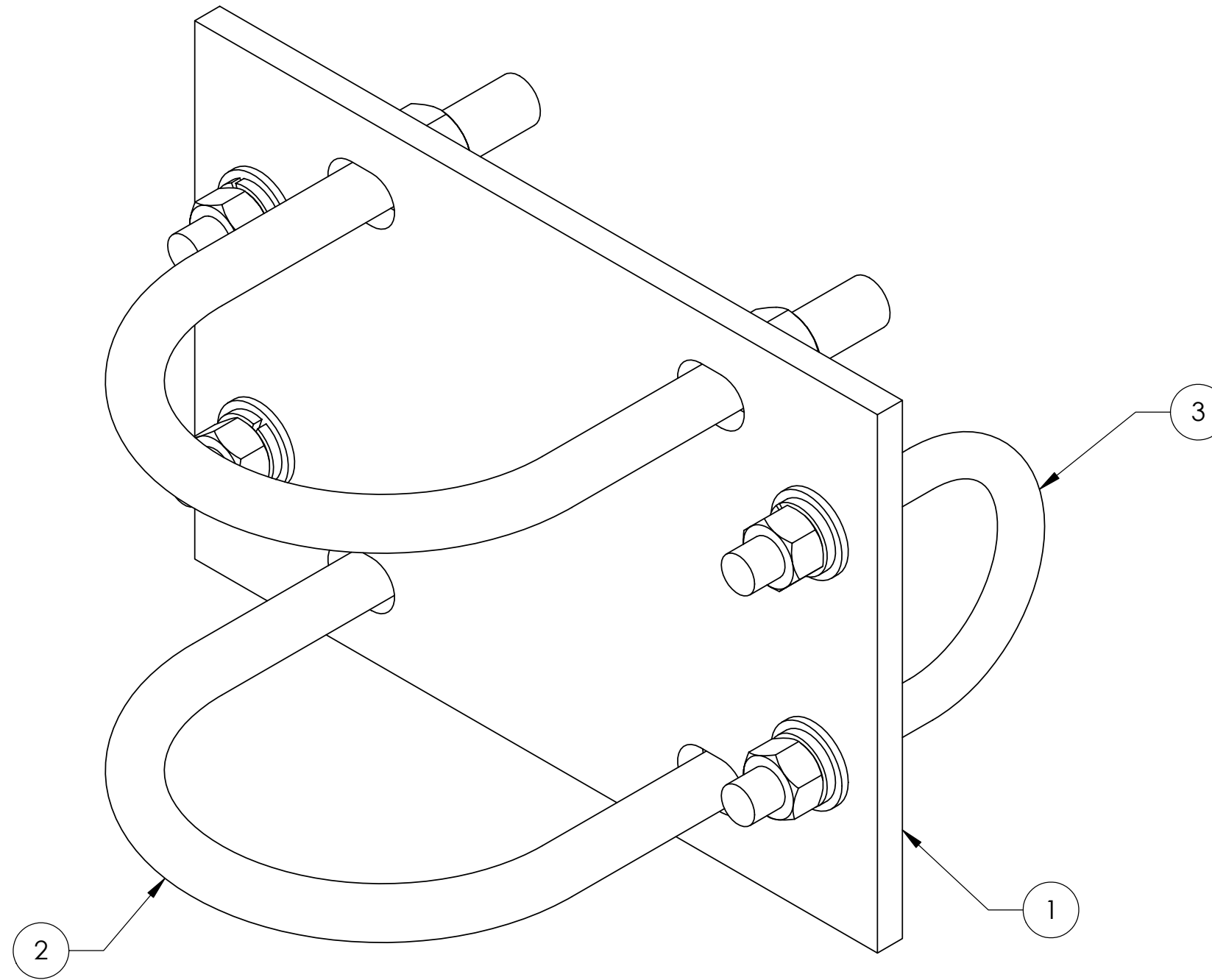



ITEM	PART NO.	DESCRIPTION	QTY.	WEIGHT
1	XP2040.01	CROSSOVER PLATE 2-3/8" O.D. TO 4-1/2" O.D.	1	7.13 LBS
2	GUB-5456	5/8" X 4-5/8" X 6-1/2" GALV U-BOLT	2	1.54 LBS
3	GUB-4240	1/2" X 2-1/2" X 4" GALV U-BOLT KIT	2	0.57 LBS

REVISIONS				
REV.	ZONE	DESCRIPTION	BY	DATE
B		REVISED & ADDED BOM	MA	04/19/01
C		REMOVED 1 VIEW	JTS	06/07/01
D		REDESIGNED FOR FORM, FIT & FUNCTION	CAM	12/20/01
E		REPLACED DWG AND FILE	CAM	01/13/02



These drawings and specifications are the proprietary property of ANDREW CORPORATION and may be used only for the specific purpose authorized in writing by Andrew Corporation. ALL DIMENSIONS ARE IN INCHES U.O.S. TOLERANCES UNLESS OTHERWISE SPECIFIED: .X = ± .06 ANGLES ±2° .XX = ± .03 FRACTIONS ±1/32 .XXX = ± .010 REMOVE BURRS AND BREAK EDGES .005 DO NOT SCALE THIS PRINT	DRAWN BY: ACG	SHEET: 1 of 1	PART NUMBER: XP-2040
	CHECKED BY: TP	SCALE: NTS	DESCRIPTION: CROSSOVER PLATE KIT Ø2.375" TO Ø4.5" OD
	DATE: 06/24/05	MATERIAL: A36	DRAWING TYPE: ASSEMBLY DRAWING
	REVISION: E	FINISH: GALV A123	 ORLAND PARK, IL. 60462 U.S.A.
	WEIGHT: 12.18 LBS		