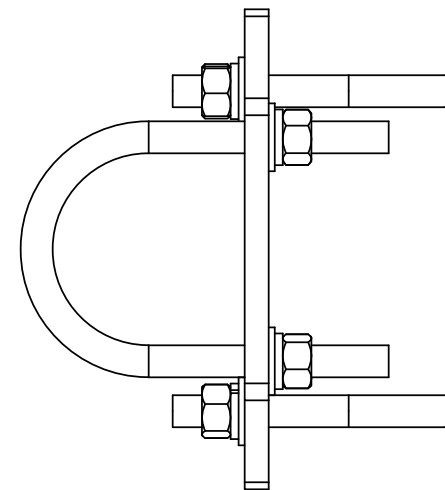
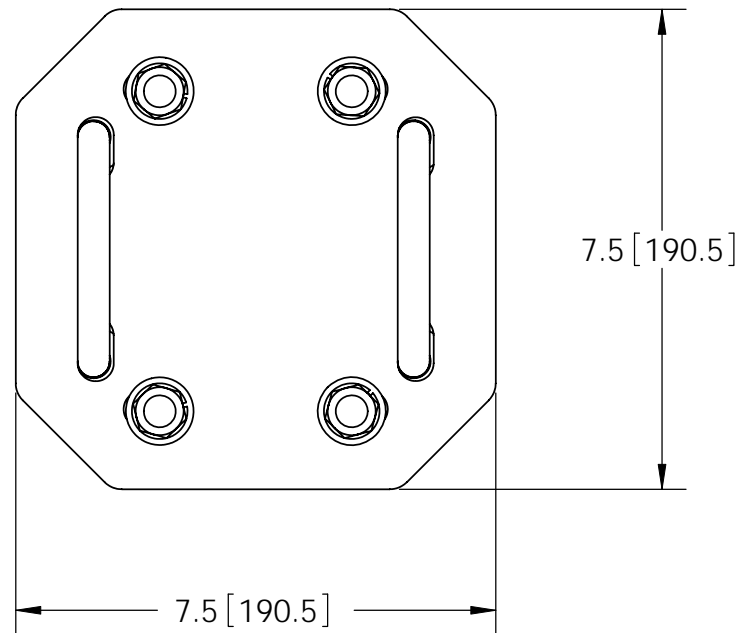
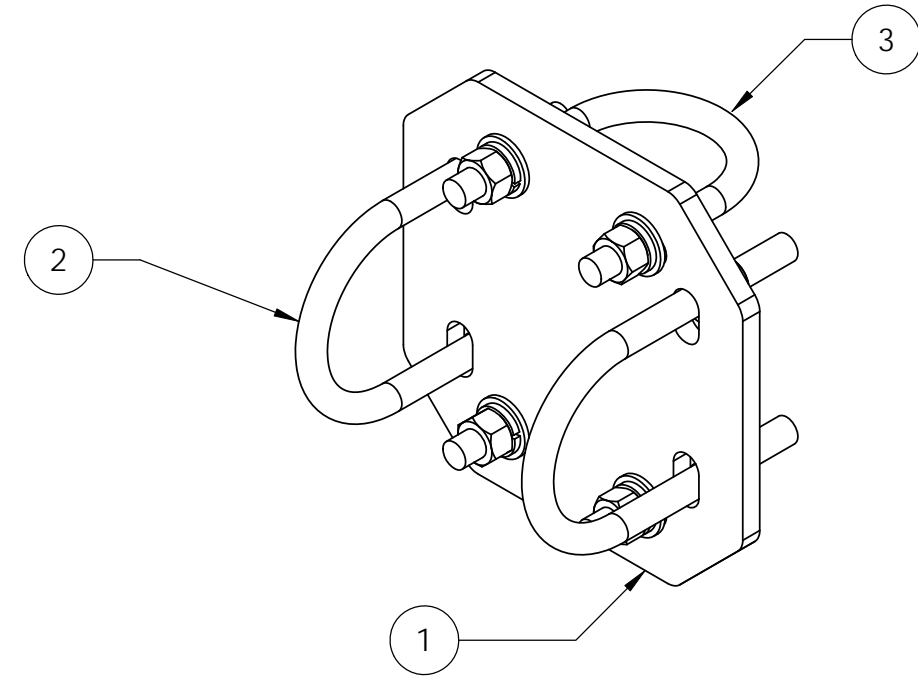
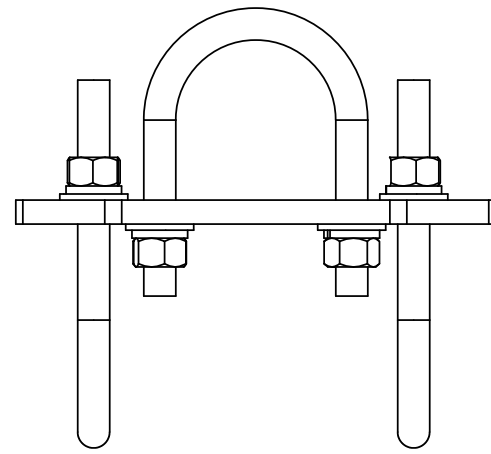


ITEM	PART NO.	DESCRIPTION	QTY.	WEIGHT
1	XP202002	CROSSOVER PLATE 2" O.D. TO 2-3/8" O.D.	1	5.05 LBS
2	GUB-4352	1/2" X 3" X 5-1/4" GALV U-BOLT	2	0.72 LBS
3	GUB-4240	1/2" X 2-1/2" X 4" GALV U-BOLT	2	0.72 LBS

REVISIONS				
REV.	ZONE	DESCRIPTION	BY	DATE
A		INITIAL RELEASE	MSM	08/20/10



NOTES:  
1. ALL METRIC DIMENSIONS ARE IN BRACKETS.

<small>These drawings and specifications are the proprietary property of ANDREW CORPORATION and may be used only for the specific purpose authorized in writing by Andrew Corporation.</small> ALL DIMENSIONS ARE IN INCHES U.O.S. TOLERANCES UNLESS OTHERWISE SPECIFIED: .X = ± .12      ANGLES      ±2° .XX = ± .06      FRACTIONS      ±1/32 .XXX = ± .03 REMOVE BURRS AND BREAK EDGES .005 DO NOT SCALE THIS PRINT	DRAWN BY: MSM	SHEET: 1 of 1	PART NUMBER: XP-2025
	CHECKED BY: TP	SCALE: NTS	DESCRIPTION: Crossover Plate, 2-3/8" OD x 2-7/8" OD
	DATE: 08/20/10	MATERIAL: A36	DRAWING TYPE: ASSEMBLY DRAWING
	REVISION: A	FINISH: GALV A123	WEIGHT: 8.23 LBS