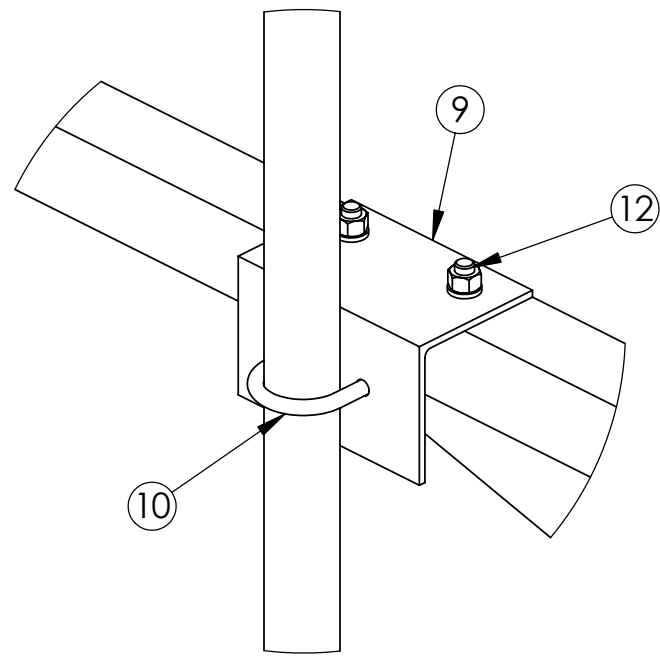


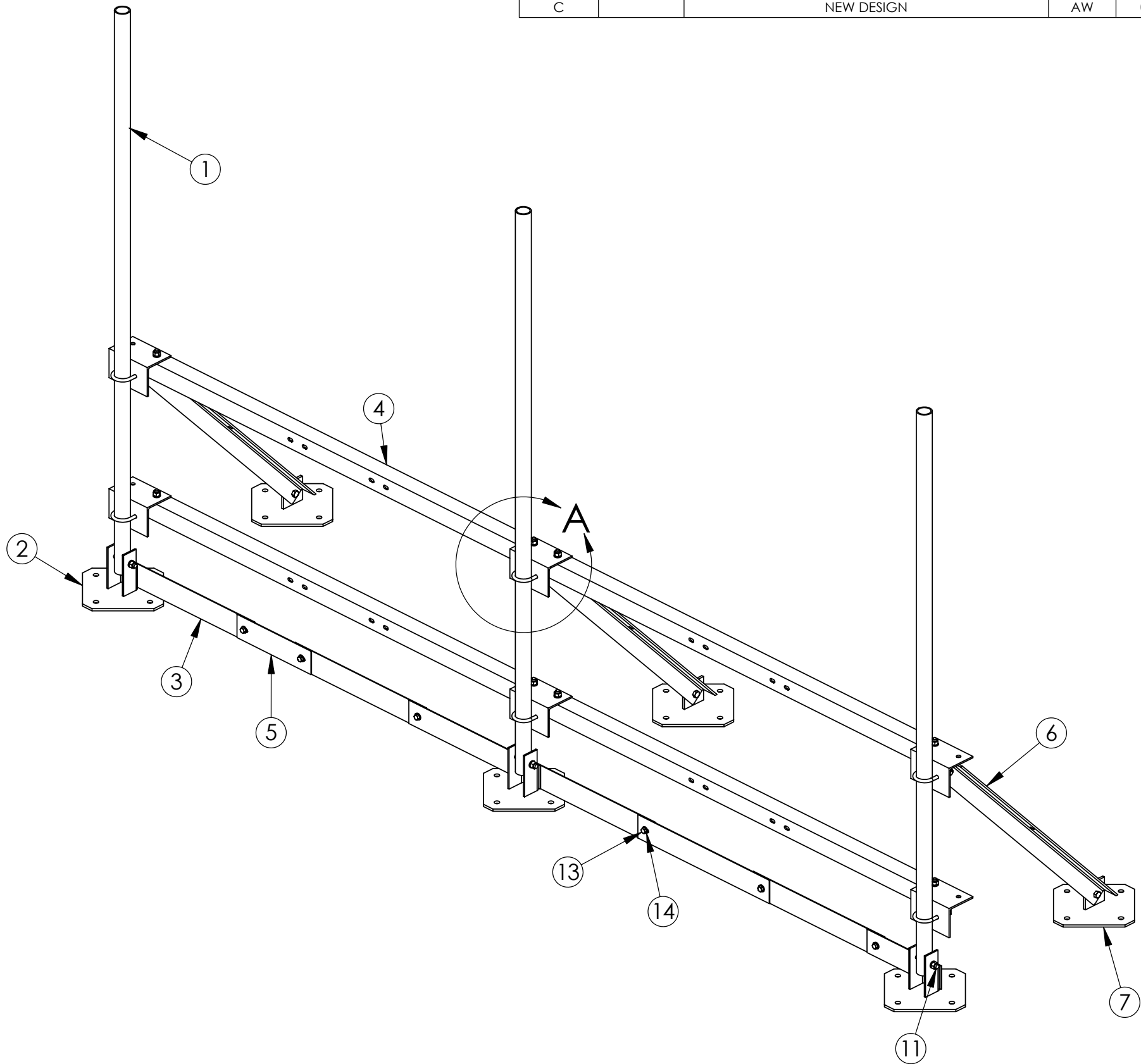
ITEM	PART NO.	DESCRIPTION	QTY.	WEIGHT
1	WTRTA.32	PIPE (SEE TABLE 1)		37.10 LBS
2	WTRTA.19	WELDED FOOT	3	18.23 LBS
3	WTRTA.27	LONG TOE BOARD SECTION	6	3.80 LBS
4	WTRTA.30	ANGLE, 7'	4	32.76 LBS
5	WTRTA.31	SHORT TOE BOARD SECTION	2	2.16 LBS
6	WTRTA.25	KICKER ANGLE	3	19.85 LBS
7	WTRTA.20	REAR FOOT	3	16.30 LBS
8	WTSMAH	HARDWARE KIT ITEM#9-14	1	
9	WTRTA.21	WELDED BRACKET	6	7.11 LBS
10	GUB-4240	1/2" X 2-1/2" X 4" GALV U-BOLT KIT	10	0.56 LBS
11	GB-05445	5/8" X 4-1/2" GALV BOLT KIT	3	0.48 LBS
12	GB-05145	5/8" X 1-1/2" GALV BOLT KIT	14	0.22 LBS
13	GB-04145	1/2" X 1-1/2" GALV BOLT KIT	9	0.22 LBS
14	GWF-04	1/2" GALV FLAT WASHER	18	0.02 LBS

TABLE 1

ASSEMBLY #	PART #	QTY.	WEIGHT
WT-SMA14-3-96	WTRTA.32	3	491.90 LBS
WT-SMA14-4-96	WTRTA.32	5	566.10 LBS



DETAIL A



REVISIONS				
REV.	ZONE	DESCRIPTION	BY	DATE
C		NEW DESIGN	AW	04/01/05

<p>These drawings and specifications are the proprietary property of ANDREW CORPORATION and may be used only for the specific purpose authorized in writing by Andrew Corporation.</p> <p>ALL DIMENSIONS ARE IN INCHES U.O.S. TOLERANCES UNLESS OTHERWISE SPECIFIED:</p> <p>.X = ± .06 ANGLES ± 2° .XX = ± .03 FRACTIONS ± 1/32 .XXX = ± .010</p> <p>REMOVE BURRS AND BREAK EDGES .005</p> <p>DO NOT SCALE THIS PRINT</p>	<p>DRAWN BY: AW</p> <p>CHECKED BY: TP</p> <p>DATE: 04/01/05</p> <p>REVISION: C</p>	<p>SHEET: 1 of 1</p> <p>SCALE: NTS</p> <p>MATERIAL: A36, A53</p> <p>FINISH: GALV A123</p> <p>WEIGHT: SEE TABLE</p>	<p>PART NUMBER: WT-SMA14 SERIES</p> <p>DESCRIPTION: 14' WATER TOWER ROOF TOP SECTOR FRAME</p> <p>DRAWING TYPE: ASSEMBLY DRAWING</p>
	<p>ORLAND PARK, IL. 60462 U.S.A.</p>		
	<p>ANDREW®</p>		