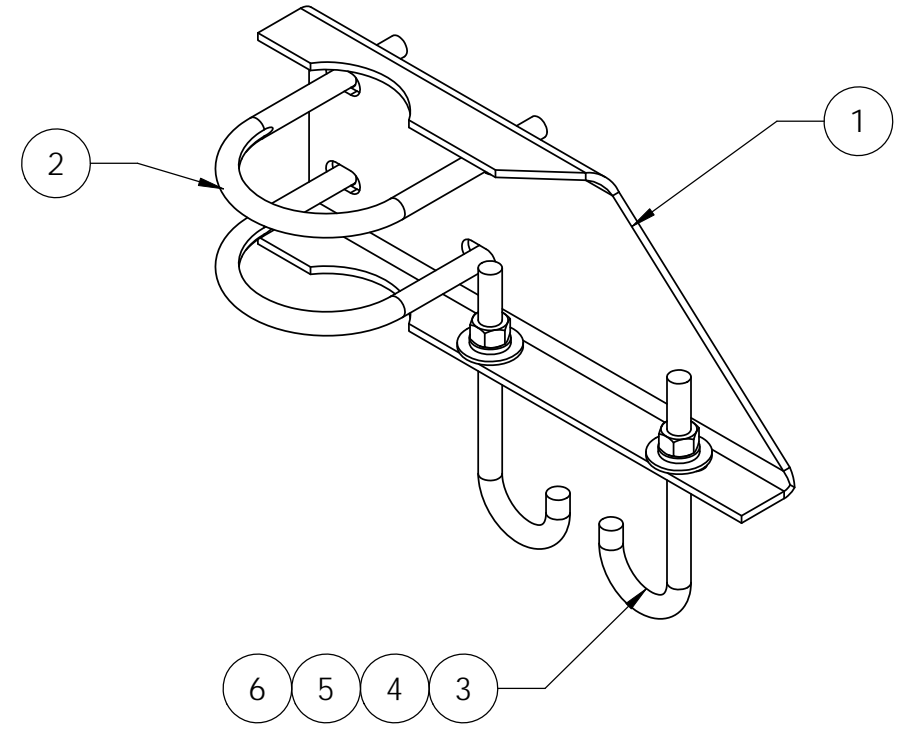
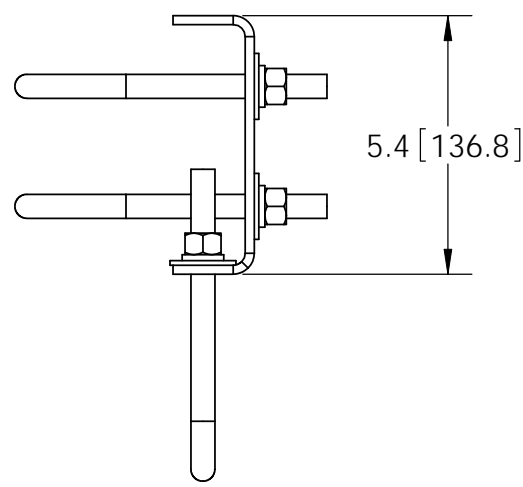
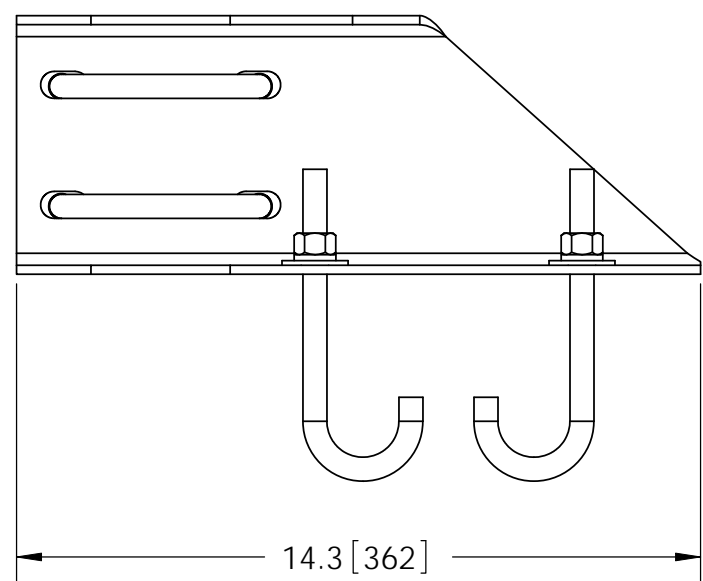
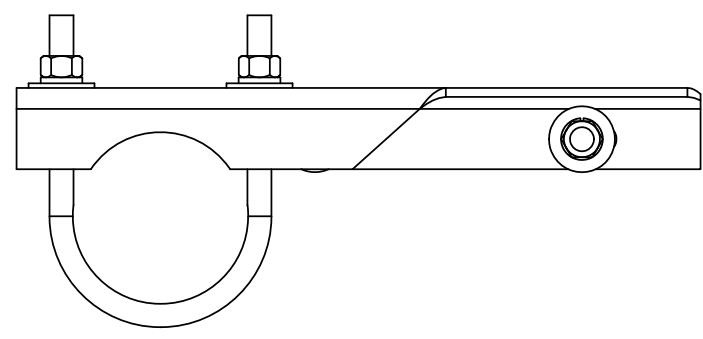


ITEM	PART NO.	DESCRIPTION	QTY.	WEIGHT
1	WBLB0501	5" WAVEGUIDE BRIDGE SUPPORT BRACKET	1	4.52 LBS
2	GUB-4356	1/2" X 3-5/8" X 6" GALV U-BOLT	2	0.82 LBS
3	WB-JB-6	1/2" J-BOLT	2	0.50 LBS
4	GWF-04	1/2" GALV FLAT WASHER	2	0.03 LBS
5	GWL-04	1/2" GALV LOCK WASHER	2	0.00 LBS
6	GN-04	1/2" GALV HEX NUT	2	0.04 LBS

REVISIONS				
REV.	ZONE	DESCRIPTION	BY	DATE
A		INITIAL RELEASE	DRR	10/30/12



NOTES:  
 1. ALL METRIC DIMENSIONS ARE IN BRACKETS.

These drawings and specifications are the proprietary property of CommScope Inc. and may be used only for the specific purpose authorized in writing by CommScope Inc.  ALL DIMENSIONS ARE IN INCHES U.O.S. TOLERANCES UNLESS OTHERWISE SPECIFIED: .X = ± .12      ANGLES      ±2° .XX = ± .06      FRACTIONS      ±1/32 .XXX = ± .03  REMOVE BURRS AND BREAK EDGES .005  DO NOT SCALE THIS PRINT	DRAWN BY: DRR	SHEET: 1 of 1	PART NUMBER: WB-LB05-3
	CHECKED BY: TP	SCALE: NTS	DESCRIPTION: 5" WAVEGUIDE BRIDGE SUPPORT BRACKET KIT
	DATE: 10/30/12	MATERIAL: A36	DRAWING TYPE: ASSEMBLY DRAWING
	REVISION: A	FINISH: GALV A123	<b>COMMSCOPE®</b> Hickory, NC 28602      U.S.A.
WEIGHT: 7.69 LBS			