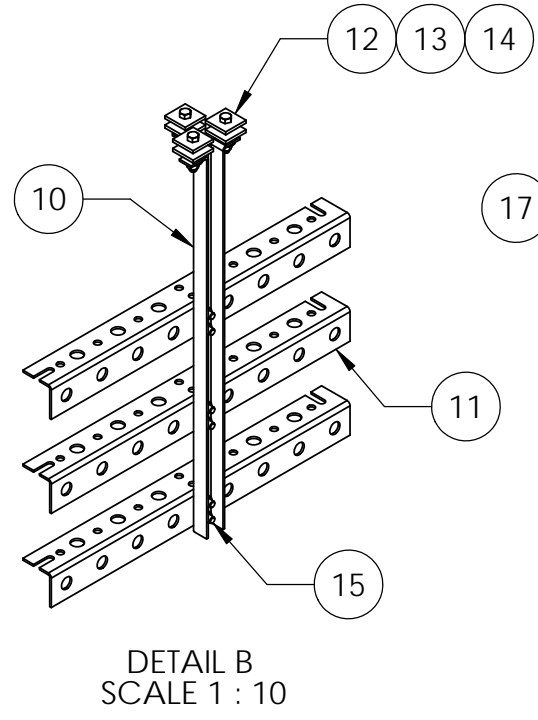
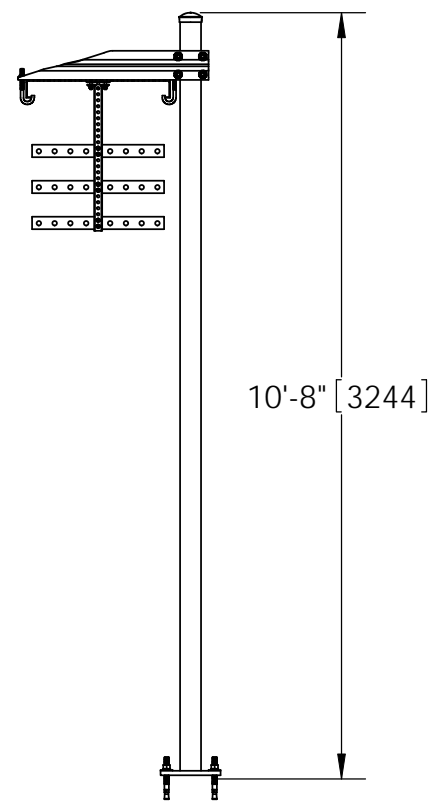
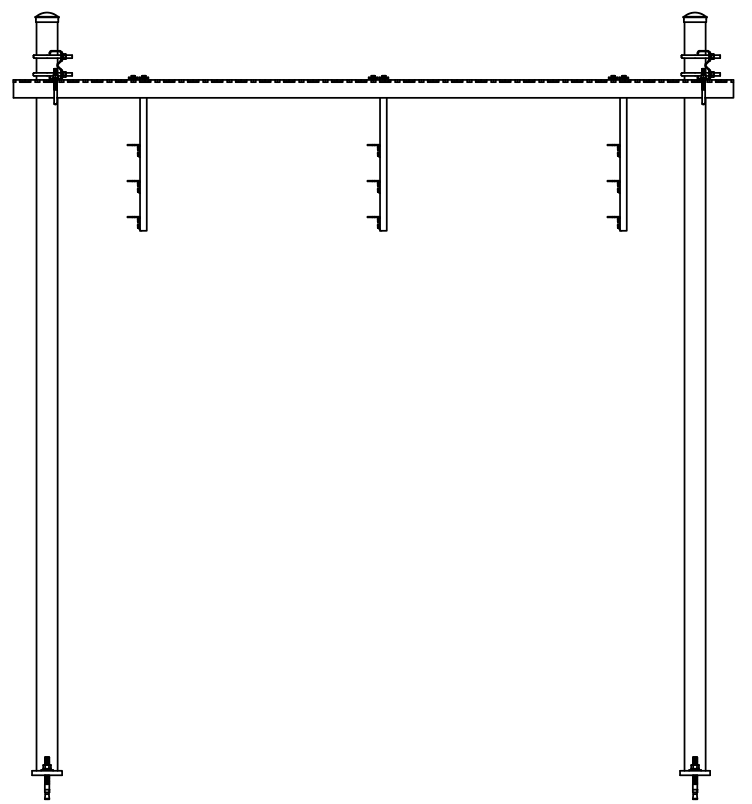
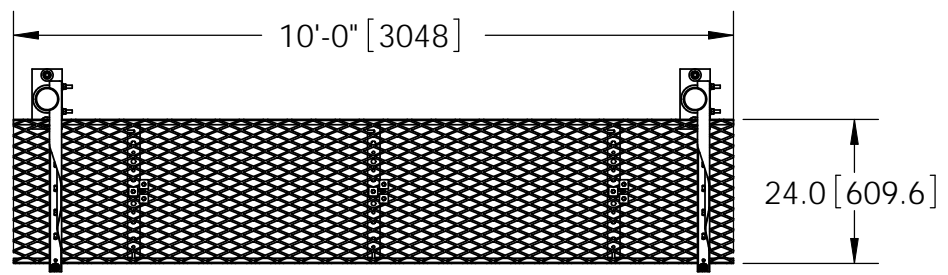
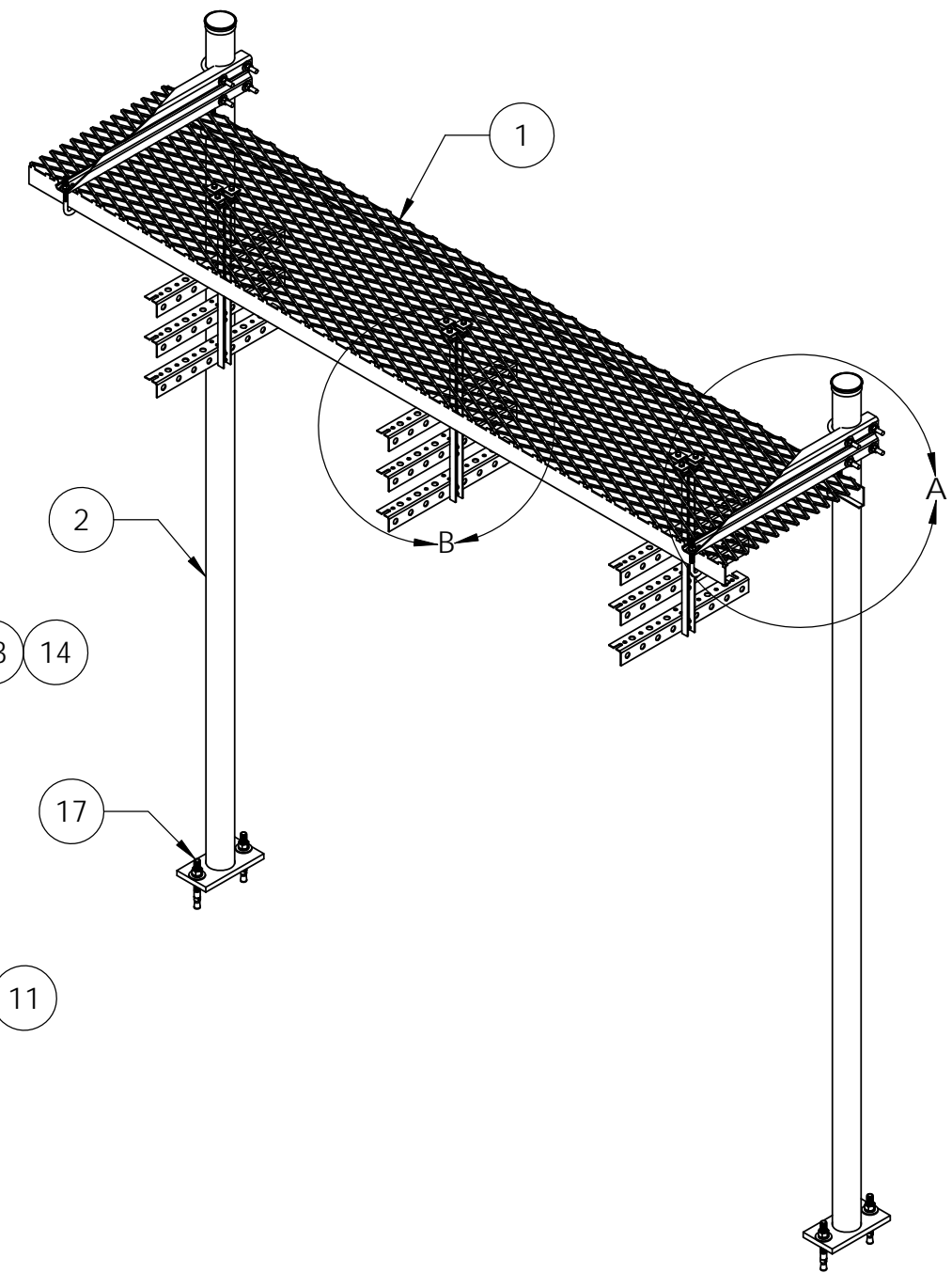
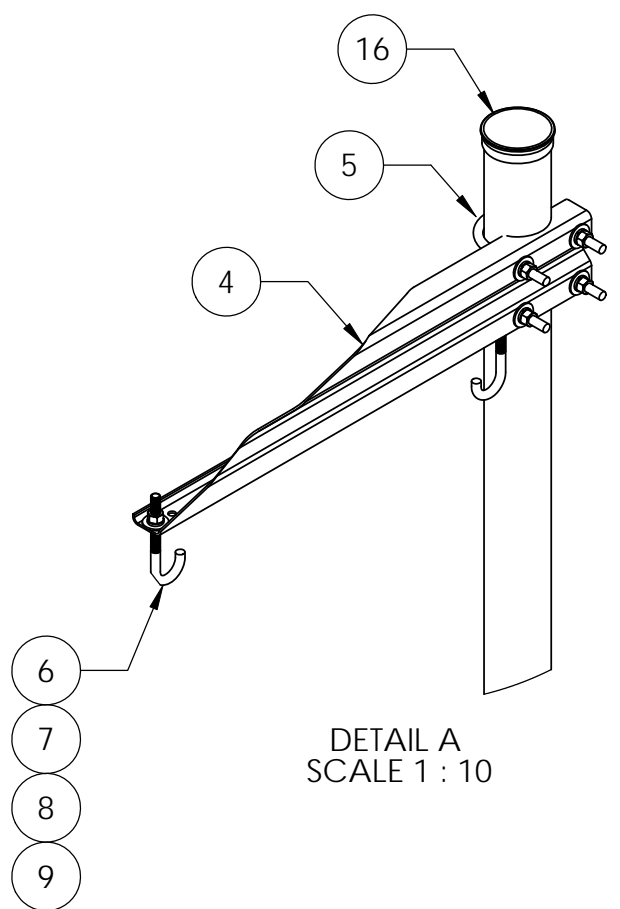



ITEM	PART NO.	DESCRIPTION	QTY.	WEIGHT
1	WB-CY210	SAFETY GRATING 24" X 10'	1	111.00 LBS
2	MF126.01	BASE SHOE	2	69.59 LBS
3	WBK210SH	HARDWARE KIT (ITEMS 4-17)	1	
4	WBLB243.08	24" WAVEGUIDE BRIDGE SUPPORT BRACKET	2	7.14 LBS
5	GUB-4356	1/2" X 3-5/8" X 6" GALV U-BOLT	4	0.57 LBS
6	WBJB6	1/2" J-BOLT	4	0.41 LBS
7	GWF-04	1/2" GALV FLAT WASHER	4	0.06 LBS
8	GWL-04	1/2" GALV LOCK WASHER	4	0.09 LBS
9	GN-04	1/2" GALV HEX NUT	4	0.04 LBS
10	WBT243.01	VERTICAL TRAPEZE SECTION	3	2.53 LBS
11	WBT243.02	HORIZONTAL TRAPEZE SECTION	9	2.68 LBS
12	MT-387	SQUARE WASHER, 1-1/2" X 1-1/2" W/ 7/16" HOLE	18	0.11 LBS
13	GB-03205	3/8" X 2" GALV BOLT KIT	9	0.08 LBS
14	GWF-03	3/8" GALV FLAT WASHER	9	0.01 LBS
15	GB-03105	3/8" X 1" GALV BOLT KIT	18	0.05 LBS
16	PC-034	PIPE CAP 3-1/2"	2	0.66 LBS
17	MT-287	3/4" x 7" WEDGE ANCHOR	4	0.72 LBS

REVISIONS				
REV.	ZONE	DESCRIPTION	BY	DATE
A		INITIAL RELEASE	ACG	09/27/02
B		UPDATE PART LIST	ACG	10/18/02
C		UPDATE PART LIST	ACG	04/04/03
D		UPDATE PART LIST	ACG	05/14/04
E		UPDATE PARTS LIST FOR TRAPEZE KIT	ACG	07/01/04
F		REDRAWN IN SOLIDWORKS	AW	05/31/05
G		UPDATE BOM FOR HARDWARE KITS	ACG	10/21/08
H		REVISED HARDWARE KIT COMPONENTS	DRR	02/23/12



NOTES:
1. ALL METRIC DIMENSIONS ARE IN BRACKETS.

<small>These drawings and specifications are the proprietary property of ANDREW CORPORATION and may be used only for the specific purpose authorized in writing by Andrew Corporation.</small> ALL DIMENSIONS ARE IN INCHES U.O.S. TOLERANCES UNLESS OTHERWISE SPECIFIED: .X = ± .12 ANGLES ±2° .XX = ± .06 FRACTIONS ±1/32 .XXX = ± .030 REMOVE BURRS AND BREAK EDGES .005 DO NOT SCALE THIS PRINT	DRAWN BY: ACG	SHEET: 1 of 1	PART NUMBER: WB-K210-S
	CHECKED BY: TP	SCALE: NTS	DESCRIPTION: WAVEGUIDE BRIDGE KIT
	DATE: 10/21/08	MATERIAL: A36, A53, A568	DRAWING TYPE: ASSEMBLY DRAWING
	REVISION: H	FINISH: GALV A123 WEIGHT: 311.81 LBS	 WESTCHESTER, IL. 60154 U.S.A.