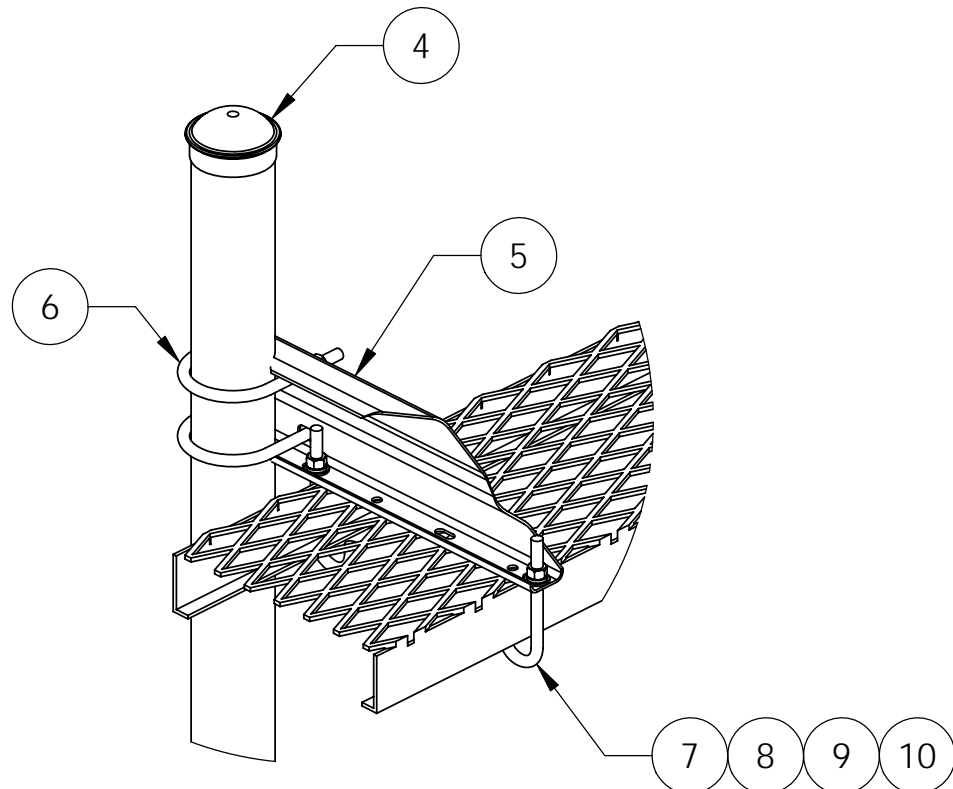
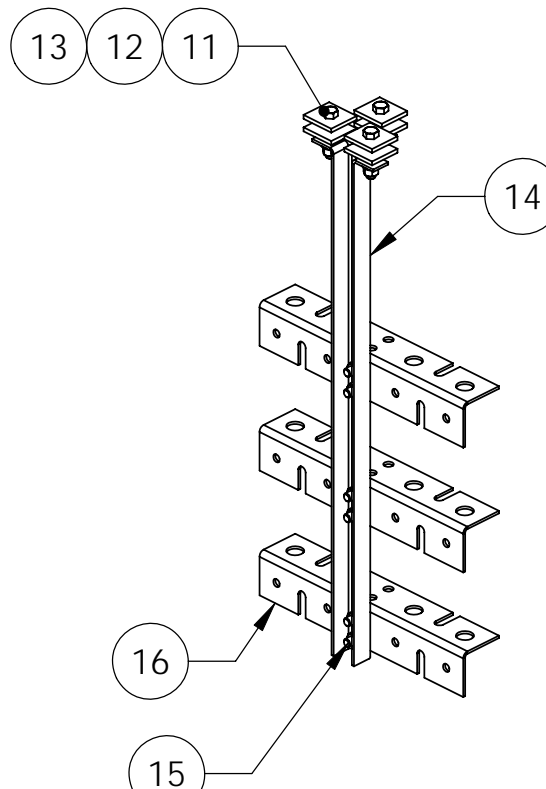


ITEM	PART NO.	DESCRIPTION	QTY.	WEIGHT
1	MF-130	DIRECT BURIAL PIPE COLUMN, 13' 4"	2	101.38 LBS
2	WB-CY110	SAFETY GRATING 12" X 10'	1	70.00 LBS
3	WBK110BHK	HARDWARE KIT (ITEMS 4-16)	1	
4	PC-034	PIPE CAP 3-1/2"	2	0.94 LBS
5	WBLB123.07	12" WAVEGUIDE BRIDGE SUPPORT BRACKET	2	4.71 LBS
6	GUB-4356	1/2" X 3-5/8" X 6" GALV U-BOLT KIT	4	0.83 LBS
7	WB-JB-6	1/2" J-BOLT	4	0.50 LBS
8	GWF-04	1/2" GALV FLAT WASHER	4	0.02 LBS
9	GWL-04	1/2" GALV LOCK WASHER	4	0.01 LBS
10	GN-04	1/2" GALV HEX NUT	4	0.04 LBS
11	GB-03205	3/8" X 2" GALV BOLT KIT	9	0.27 LBS
12	MT-387	SQUARE WASHER, 1-1/2" X 1-5/8" W/ 7/16" HOLE	18	0.12 LBS
13	GWF-03	3/8" GALV FLAT WASHER	9	0.01 LBS
14	WBT243.01	VERTICAL TRAPEZE SECTION	3	2.53 LBS
15	GB-03105	3/8" X 1" GALV BOLT KIT	18	0.27 LBS
16	WBT123.02	12" HORIZONTAL TRAPEZE SECTION	9	1.46 LBS

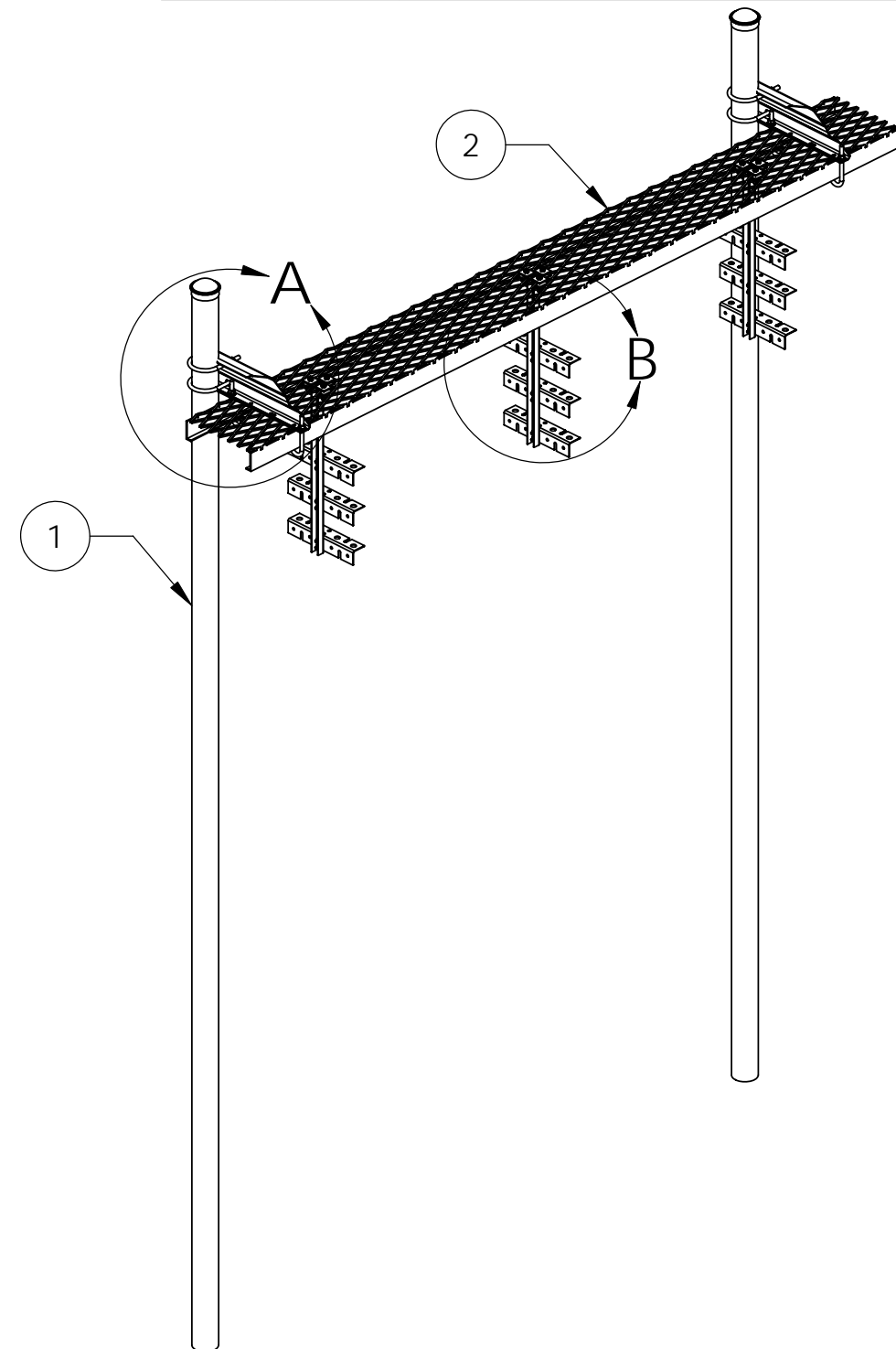
REVISIONS				
REV.	ZONE	DESCRIPTION	BY	DATE
A		INITIAL RELEASE	ACG	10/08/02
B		UPDATE PART LIST	ACG	04/04/03
C		UPDATE PART LIST	ACG	05/14/04
D		UPDATE PART LIST	ACG	07/01/04
E		REDRAWN IN SOLIDWORKS	ACG	05/20/05
F		UPDATE SUPPORT BRACKET	ACG	08/28/07
G		UPDATE HARDWARE KIT QTY	ACG	04/09/09



DETAIL A



DETAIL B



<p>These drawings and specifications are the proprietary property of ANDREW CORPORATION and may be used only for the specific purpose authorized in writing by Andrew Corporation.</p> <p>ALL DIMENSIONS ARE IN INCHES U.O.S. TOLERANCES UNLESS OTHERWISE SPECIFIED: .X = ± .06      ANGLES ± 2' .XX = ± .03      FRACTIONS ± 1/32 .XXX = ± .010</p> <p>REMOVE BURRS AND BREAK EDGES .005</p> <p>DO NOT SCALE THIS PRINT</p>	DRAWN BY: AW	SHEET: 1 of 1	PART NUMBER: WB-K110-B
	CHECKED BY: TP	SCALE: NTS	DESCRIPTION: WAVEGUIDE BRIDGE KIT
	DATE: 05/20/05	MATERIAL: A36	DRAWING TYPE: ASSEMBLY DRAWING
	REVISION: <b>G</b>	FINISH: GALV A123	WEIGHT: 315.60 LBS