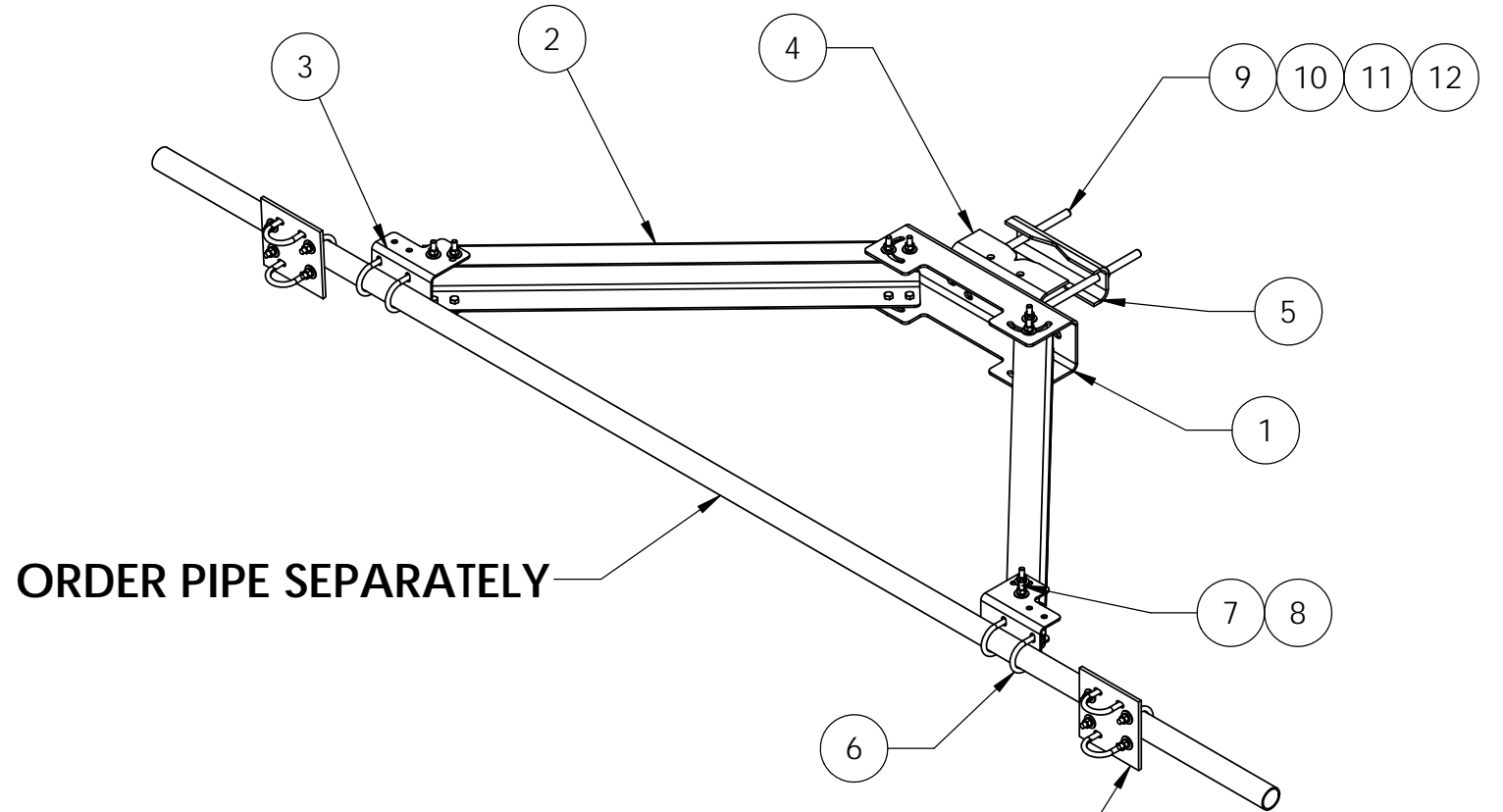
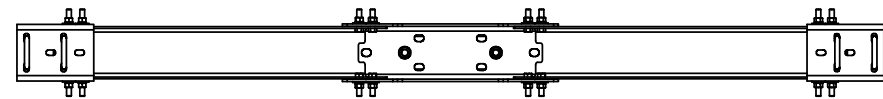
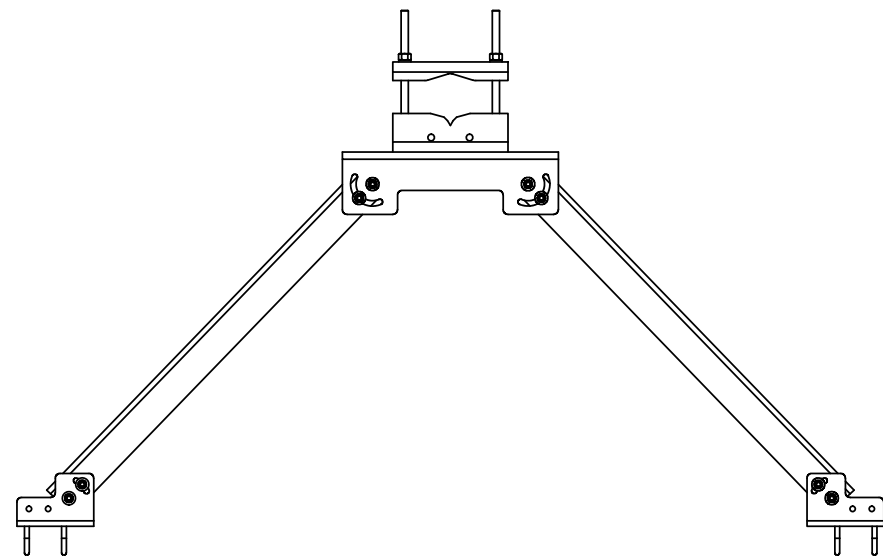


ITEM	PART NO.	DESCRIPTION	QTY.	WEIGHT
1	MTC340501	Mount Channel	1	23.34 LBS
2	MTC340502	Support Arm	2	29.88 LBS
3	MTC340503	Mount Channel	2	5.39 LBS
4	SMU208004	MOUNT	1	12.15 LBS
5	SMU2080.06	CLAMP PLATE	1	6.43 LBS
6	GUB-4240	1/2" X 2-1/2" X 4" GALV U-BOLT	4	0.56 LBS
7	GB-04205	1/2" X 2" GALV BOLT KIT	16	0.16 LBS
8	GWF-04	1/2" GALV FLAT WASHER	16	0.03 LBS
9	MT-384-16	3/4" X 16" GALV THREADED ROD	2	1.99 LBS
10	GWF-06	3/4" GALV FLAT WASHER	4	0.10 LBS
11	GWL-06	3/4" GALV LOCK WASHER	4	0.04 LBS
12	GN-06	3/4" GALV HEX NUT	6	0.14 LBS

REVISIONS				
REV.	ZONE	DESCRIPTION	BY	DATE
A		INITIAL RELEASE	MSM	06/11/13



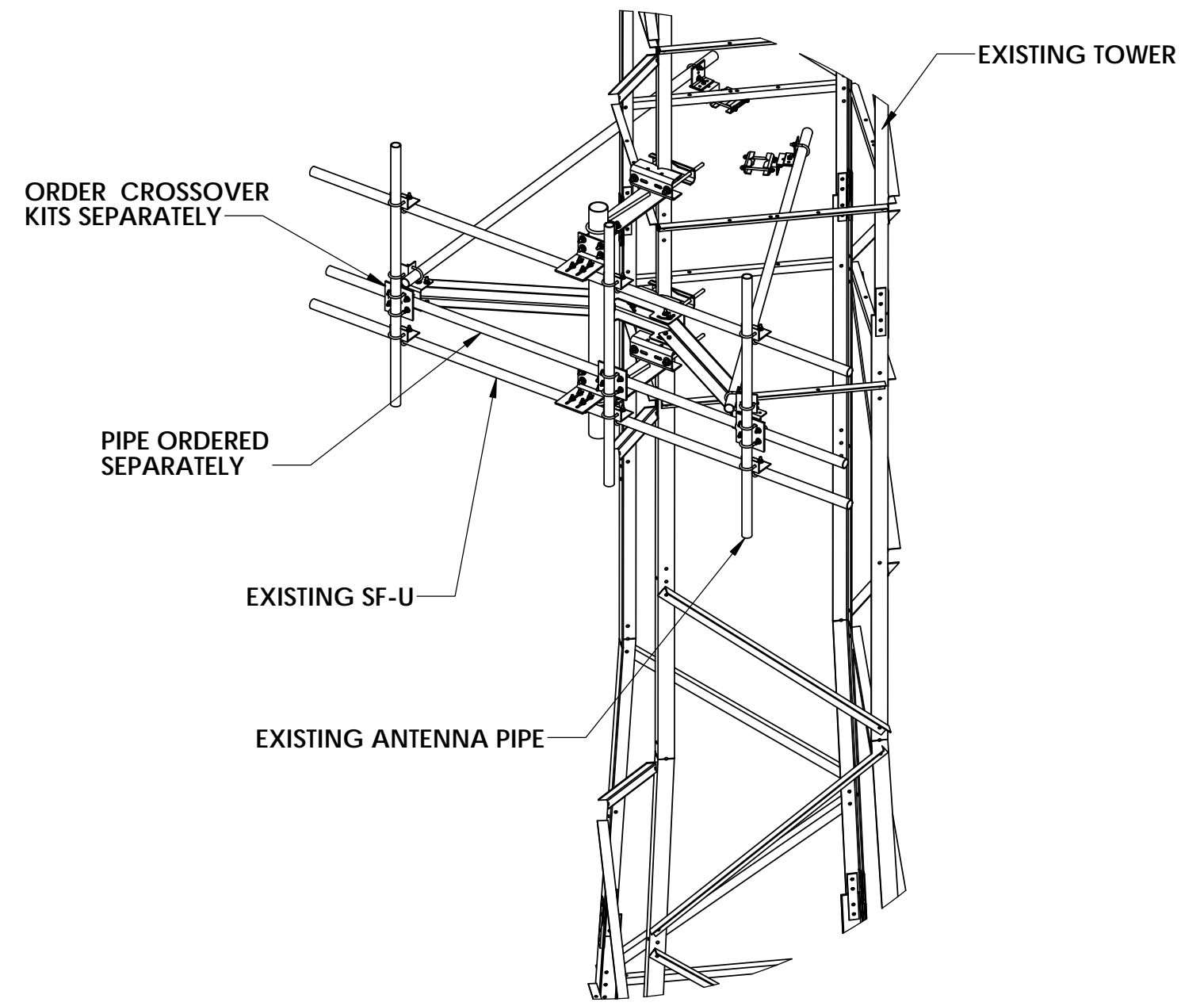
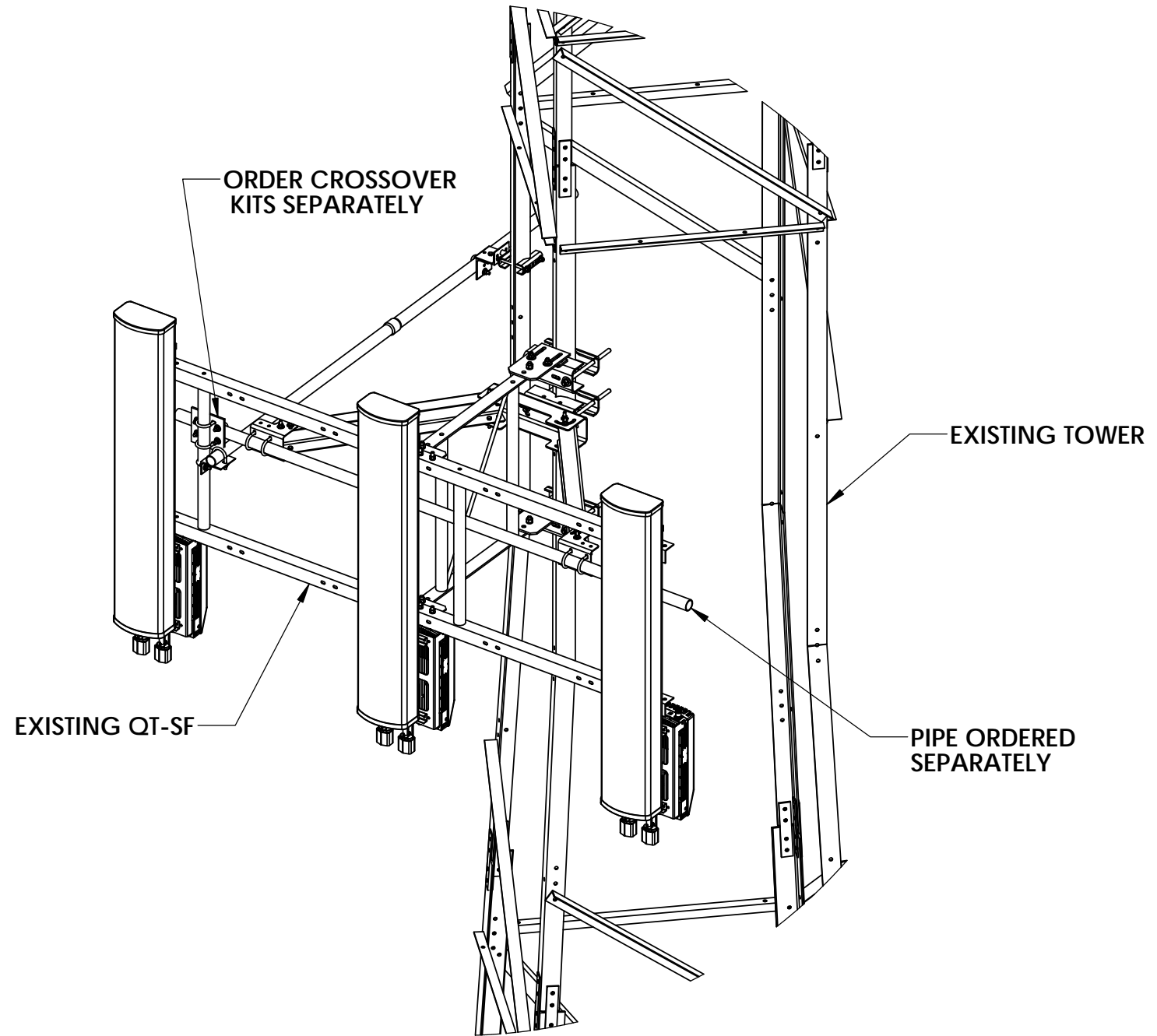
ORDER PIPE SEPARATELY

ORDER CROSSOVER KITS SEPARATELY

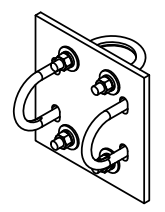
- NOTES:
1. ALL METRIC DIMENSIONS ARE IN BRACKETS.
  2. FITS TOWER LEGS ROUND OR 60° ANGLE UP TO 8", OR UP TO 6" 90° ANGLE.

These drawings and specifications are the proprietary property of CommScope Inc. and may be used only for the specific purpose authorized in writing by CommScope Inc.  ALL DIMENSIONS ARE IN INCHES U.O.S. TOLERANCES UNLESS OTHERWISE SPECIFIED: .X = ± .12      ANGLES      ±2° .XX = ± .06      FRACTIONS      ±1/32 .XXX = ± .03  REMOVE BURRS AND BREAK EDGES .005  DO NOT SCALE THIS PRINT	DRAWN BY: MSM	SHEET: 1 of 2	PART NUMBER: VSR-TS-B
	CHECKED BY: TP	SCALE: NTS	DESCRIPTION: V-STABILIZER TOWER KIT
	DATE: 05/15/12	MATERIAL: A36, A500	DRAWING TYPE: ASSEMBLY DRAWING
	REVISION: A	FINISH: GALV A123	 Hickory, NC 28602 U.S.A.
	WEIGHT: 125.35 LBS		

8 7 6 5 4 3 2 1



**AVAILABLE CROSSOVER KITS**



PART NUMBER	DESCRIPTION
XP-2020	2-3/8" to 2-3/8"
XP-2025	2-3/8" to 2-7/8"
XP-2030	2-3/8" to 3-1/2"
XP-2040	2-3/8" to 4-1/2"

These drawings and specifications are the proprietary property of CommScope Inc. and may be used only for the specific purpose authorized in writing by CommScope Inc.

ALL DIMENSIONS ARE IN INCHES U.O.S.  
TOLERANCES UNLESS OTHERWISE SPECIFIED:  
.X = ± .12 ANGLES ±2°  
.XX = ± .06 FRACTIONS ±1/32  
.XXX = ± .03

REMOVE BURRS AND BREAK EDGES .005

DO NOT SCALE THIS PRINT

DRAWN BY: MSM	SHEET: 2 of 2	PART NUMBER: VSR-TS-B
CHECKED BY: TP	SCALE: NTS	DESCRIPTION: T-Arm Reinforcement Kit
DATE: 05/15/12	MATERIAL: A36, A500	DRAWING TYPE: ASSEMBLY DRAWING
REVISION: <b>A</b>	FINISH: GALV A123	 Hickory, NC 28602 U.S.A.
	WEIGHT: SEE TABLE	

**COMMSCOPE**  
Hickory, NC 28602 U.S.A.

8 7 6 5 4 3 2 1