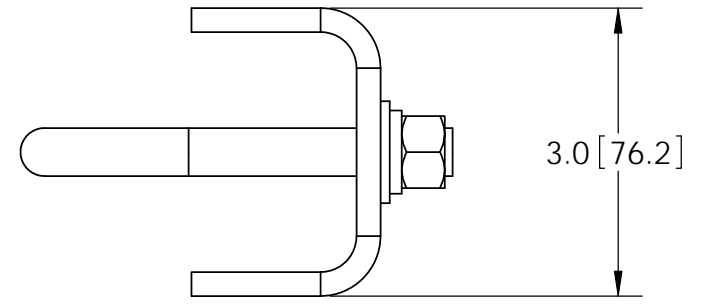
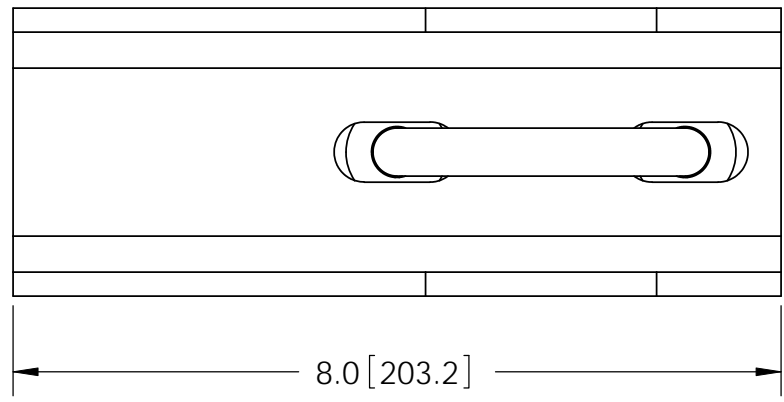
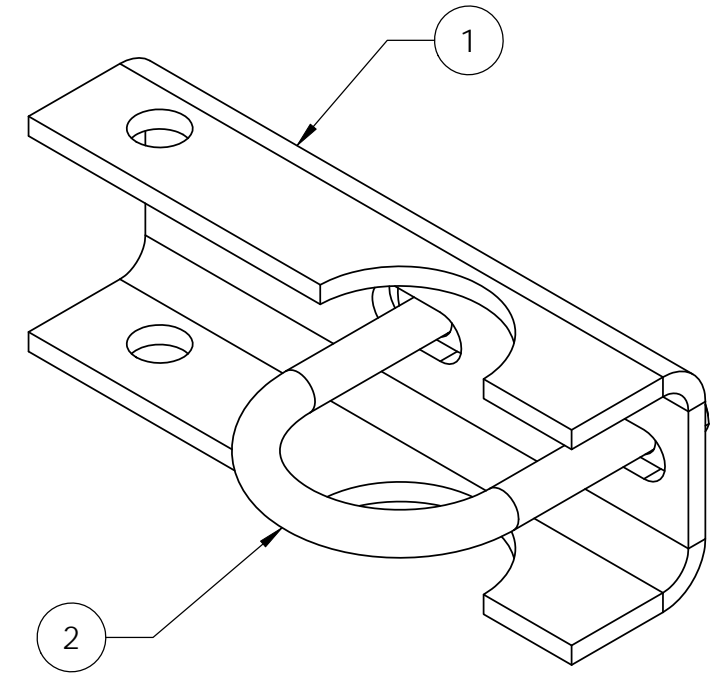
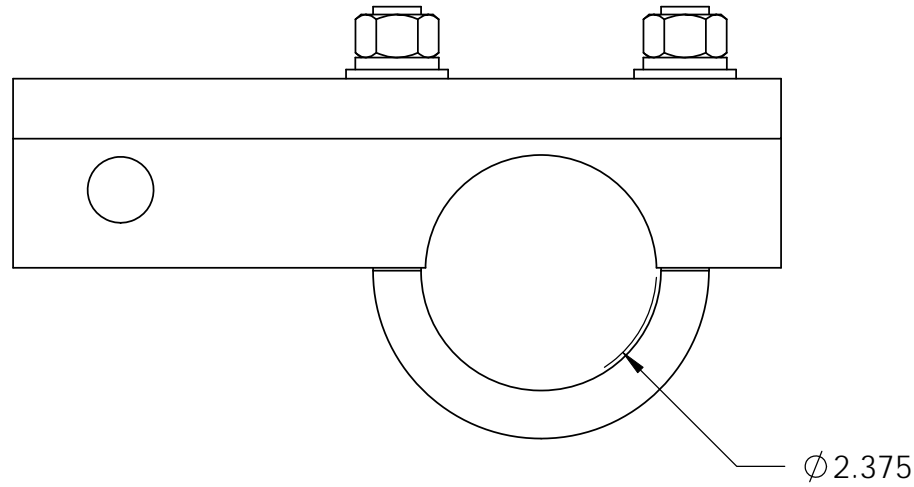


ITEM	PART NO.	DESCRIPTION	QTY.	WEIGHT
1	TFMSS01	Tower Face Mount Stiffarm	1	2.92 LBS
2	GUB-4240	1/2" X 2-1/2" GALV U-BOLT	1	0.44 LBS

REVISIONS				
REV.	ZONE	DESCRIPTION	BY	DATE
A		INITIAL RELEASE	MSB	05/17/11



NOTES:
1. ALL METRIC DIMENSIONS ARE IN BRACKETS.

<small>These drawings and specifications are the proprietary property of ANDREW CORPORATION and may be used only for the specific purpose authorized in writing by Andrew Corporation.</small> ALL DIMENSIONS ARE IN INCHES U.O.S. TOLERANCES UNLESS OTHERWISE SPECIFIED: .X = ± .12 ANGLES ±2° .XX = ± .06 FRACTIONS ±1/32 .XXX = ± .03 REMOVE BURRS AND BREAK EDGES .005 DO NOT SCALE THIS PRINT	DRAWN BY: MSB	SHEET: 1 of 1	PART NUMBER: TF-MSS-BK2
	CHECKED BY: TP	SCALE: NTS	DESCRIPTION: Stiff Arm Attachment Bracket
	DATE: 05/17/11	MATERIAL: A36	DRAWING TYPE: ASSEMBLY DRAWING
	REVISION: A	FINISH: GALV A123	WESTCHESTER, IL. 60154 U.S.A.
	WEIGHT: 3.63 LBS		