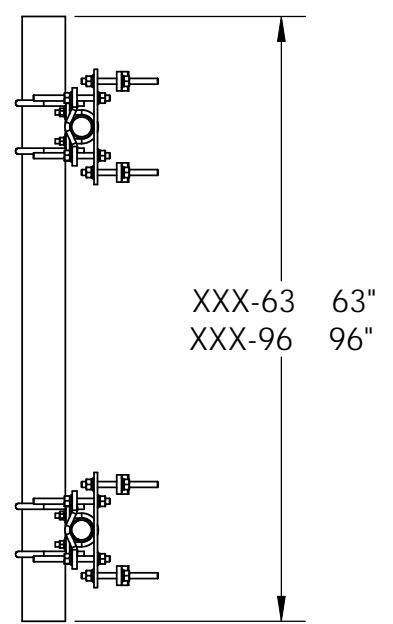
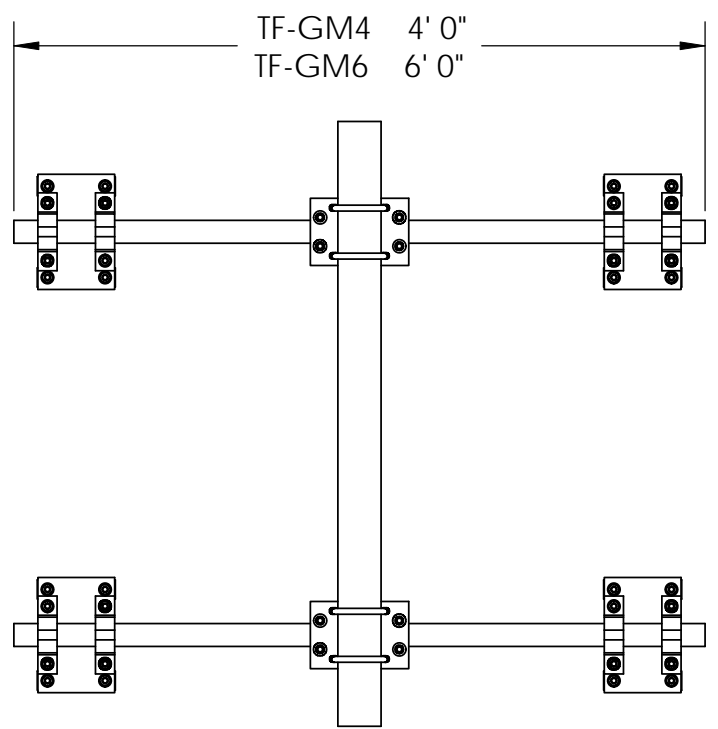
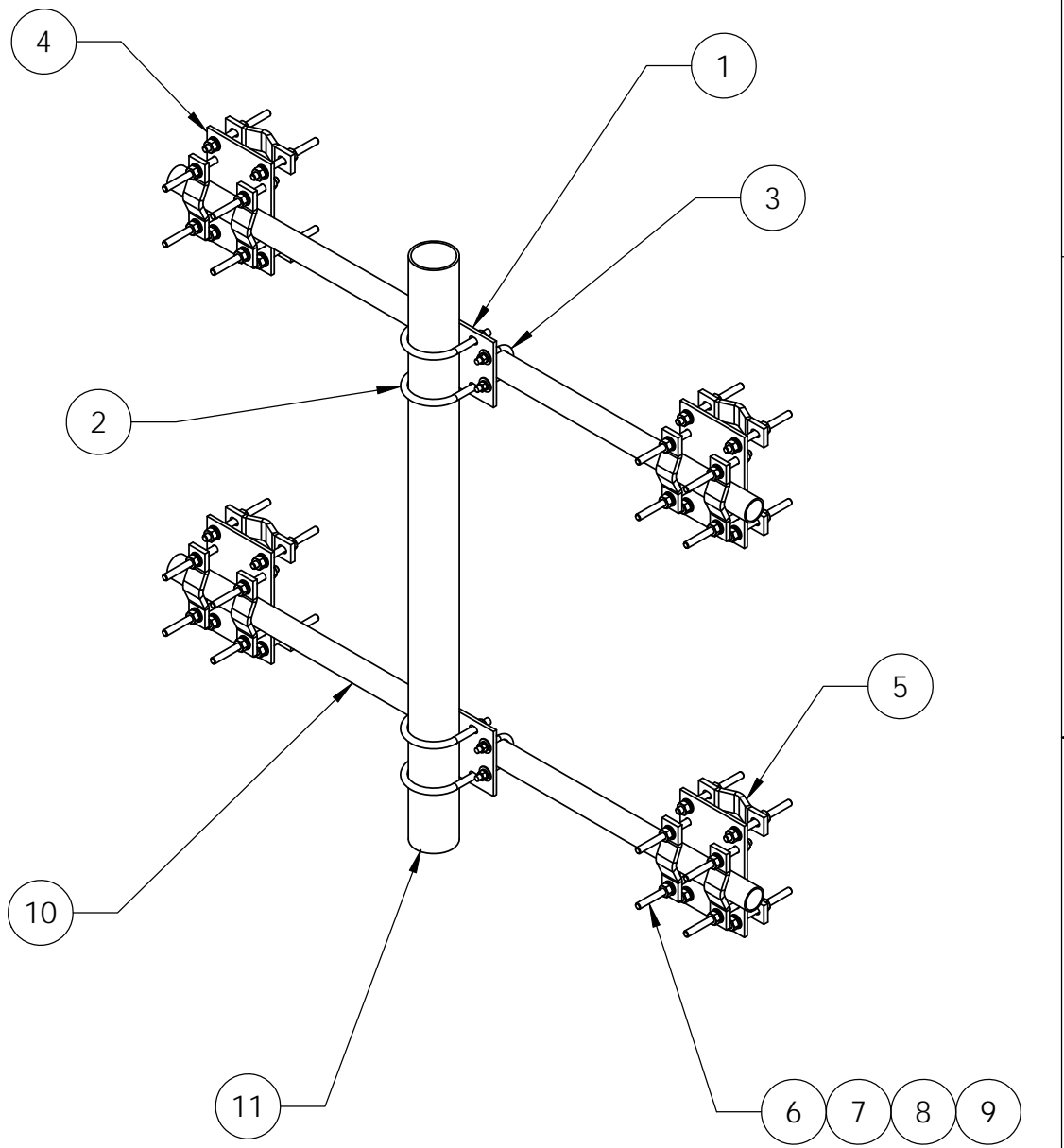


ITEM	PART NO.	DESCRIPTION	QTY.	WEIGHT
1	XP2040.01	CROSSOVER PLATE 2-3/8" O.D. TO 4-1/2" O.D.	2	7.13 LBS
2	GUB-5456	5/8" X 4-5/8" X 6 1/2" GALV U-BOLT	4	1.43 LBS
3	GUB-4240	1/2" X 2-1/2" X 4" GALV U-BOLT	4	0.56 LBS
4	ADM	CROSSOVER PLATE 12" X 8"	4	9.83 LBS
5	DCP10	SMALL CLAMP HALF	16	2.21 LBS
6	MT-381-8	5/8" X 8" GALV THREADED ROD	32	0.64 LBS
7	GN05A	5/8" GALV HEX NUT (A194 2H)	64	0.12 LBS
8	GWL-05	5/8" GALV LOCK WASHER	64	0.03 LBS
9	GWF05A	5/8" GALV FLAT WASHER (A325)	64	0.03 LBS
10	MT-65X	2.375" OD PLAIN END GALV PIPE	2	SEE TABLE
11	MT-65X	4.5" O.D. PLAIN END GALV PIPE	1	SEE TABLE

REVISIONS				
REV.	ZONE	DESCRIPTION	BY	DATE
A		INITIAL RELEASE	DRR	06/01/12
B		REVISED FOR CLARITY	DRR	06/04/12
C		UPDATE TABLE PIPE PART NUMBERS	MSM	11/01/12
D		UPDATED PIPE PART NUMBERS AND DESCRIPTION	DRR	11/15/12

PART NUMBER	FACE PIPE	DESCRIPTION	MOUNT PIPE	DESCRIPTION	WEIGHT
TF-GM4-63	MT-650	PLAIN END PIPE ϕ 2 3/8" X 48	MT-653-63	PLAIN END PIPE ϕ 4 1/2" X 63"	215.52 LBS
TF-GM4-96	MT-650	PLAIN END PIPE ϕ 2 3/8" X 48	MT-654-96	PLAIN END PIPE ϕ 4 1/2" X 96"	245.81 LBS
TF-GM6-63	MT-651	PLAIN END PIPE ϕ 2 3/8" X 72	MT-653-63	PLAIN END PIPE ϕ 4 1/2" X 63"	230.05 LBS
TF-GM6-96	MT-651	PLAIN END PIPE ϕ 2 3/8" X 72	MT-654-96	PLAIN END PIPE ϕ 4 1/2" X 96"	260.34 LBS



TF-GM6-63 SHOWN

- NOTES:
1. ALL METRIC DIMENSIONS ARE IN BRACKETS.
 2. FITS ROUND LEGS ϕ 2 UP TO ϕ 5
 3. TF-GM4 WILL WORK ON FACES 18.5" TO 40"
 4. TF-GM6 WILL WORK ON FACES 18.5" TO 64"

<small>These drawings and specifications are the proprietary property of CommScope Inc. and may be used only for the specific purpose authorized in writing by CommScope Inc.</small> <small>ALL DIMENSIONS ARE IN INCHES U.O.S. TOLERANCES UNLESS OTHERWISE SPECIFIED:</small> .X = \pm .12 ANGLES \pm 2' .XX = \pm .06 FRACTIONS \pm 1/32 .XXX = \pm .031 <small>REMOVE BURRS AND BREAK EDGES .005</small> DO NOT SCALE THIS PRINT	<small>DRAWN BY:</small> DRR	<small>SHEET:</small> 1 of 1	<small>PART NUMBER:</small> TF-GM Series
	<small>CHECKED BY:</small> TP	<small>SCALE:</small> NTS	<small>DESCRIPTION:</small> Guy Tower Face Mount
	<small>DATE:</small> 06/01/12	<small>MATERIAL:</small> A36, A500	<small>DRAWING TYPE:</small> ASSEMBLY DRAWING
	<small>REVISION:</small> D	<small>FINISH:</small> GALV A123 <small>WEIGHT:</small> SEE TABLE	 Hickory, NC 28602 U.S.A.