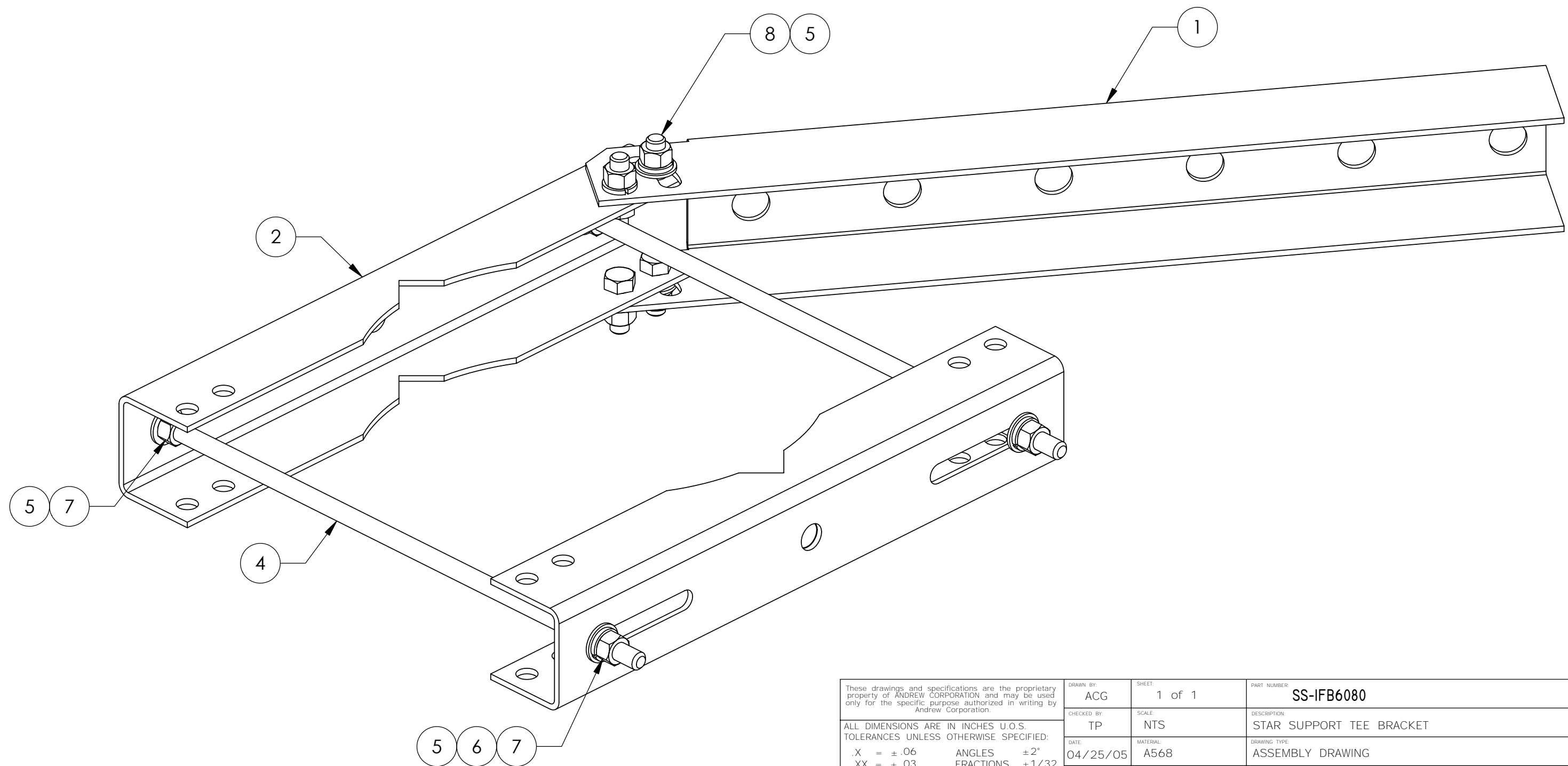



ITEM	PART NO.	DESCRIPTION	QTY.	WEIGHT
1	SSFB.02	STAR SUPPORT SINGLE FACE BRACKET	1	4.10 LBS
2	SS6080.01	STAR SUPPORT TEE BRACKET	2	2.51 LBS
3	SS1FB6080H	HARDWARE KIT (ITEMS 4-8)	1	-
4	TLSA6080.03	3/8" X 14" GALV THREADED ROD	2	0.44 LBS
5	GWF-03	3/8" GALV FLAT WASHER	8	0.01 LBS
6	GWL-03	3/8" GALV LOCK WASHER	4	0.01 LBS
7	GN-03	3/8" GALV HEX NUT	6	0.08 LBS
8	GB-03105	3/8" X 1" GALV BOLT KIT	4	0.05 LBS

REVISIONS				
REV.	ZONE	DESCRIPTION	BY	DATE
A		INITIAL RELEASE	MA	05/18/01
B		UPDATE PART LIST	ACG	04/25/05



<p>These drawings and specifications are the proprietary property of ANDREW CORPORATION and may be used only for the specific purpose authorized in writing by Andrew Corporation.</p> <p>ALL DIMENSIONS ARE IN INCHES U.O.S. TOLERANCES UNLESS OTHERWISE SPECIFIED: .X = ±.06 ANGLES ±2° .XX = ±.03 FRACTIONS ±1/32 .XXX = ±.010</p> <p>REMOVE BURRS AND BREAK EDGES .005</p> <p>DO NOT SCALE THIS PRINT</p>	DRAWN BY: ACG	SHEET: 1 of 1	PART NUMBER: SS-IFB6080
	CHECKED BY: TP	SCALE: NTS	DESCRIPTION: STAR SUPPORT TEE BRACKET
	DATE: 04/25/05	MATERIAL: A568	DRAWING TYPE: ASSEMBLY DRAWING
	REVISION: B	FINISH: GALV A123	
		WEIGHT: 10.49 LBS	