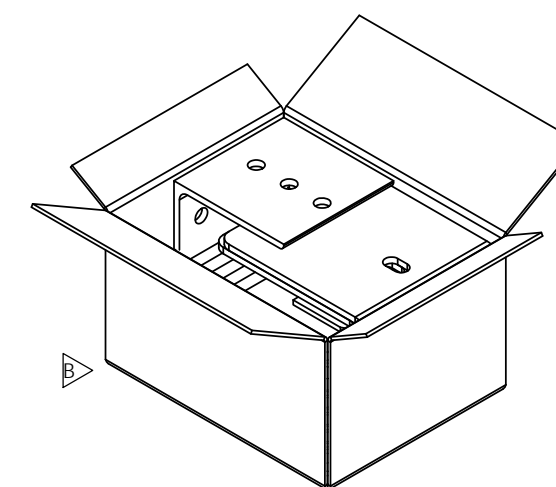


NOTES: 1.0 PUT ALL LOOSE HARDWARE IN POLYBAGS AS NEEDED.
2.0 PLACE DRAWING INTO CRATE.

REVISIONS				
REV.	ECN	DESCRIPTION	BY	DATE
A		INITIAL RELEASE	MSM	07/09/09
B	8000014164	CHG BOM IN DRAWING: ADD PACK	CEB	5/24/2016



ITEM	PART NO.	DESCRIPTION	QTY.	WEIGHT	NOTE NO.
1	BX15	Box Kraft 10" x 8" x 6"	1	0.28 LBS	
2	ACP10	1.5" - 3.5" O.D. CLAMP HALF	3	0.61 LBS	
3	SAB01	FORMED CLAMP	2	1.35 LBS	
4	SABU01	Tie Back Mounting Angle	2	4.05 LBS	
5	XA2020.01	CROSS OVER ANGLE	1	2.65 LBS	
6	MT-379-6	1/2" X 6" GALV THREADED ROD	6	0.33 LBS	
7	MT-379-8	1/2" X 8" GALV THREADED ROD	2	0.44 LBS	
8	SABUHB1	HARDWARE BAG FOR SA-BU	1	0.57 LBS	
9	HB1216	HARDWARE BAG, 1/2" NUT, LOCK, FLAT	1	1.55 LBS	
10	DOCUMENT RECORD	INSERT DRAWING SA-BU INTO BOX	1	-	

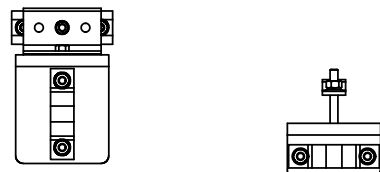
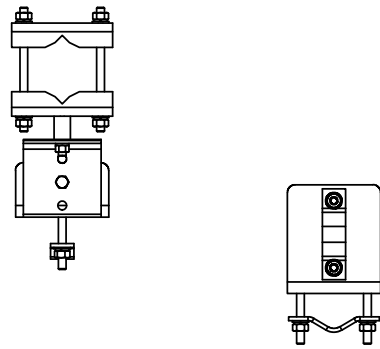
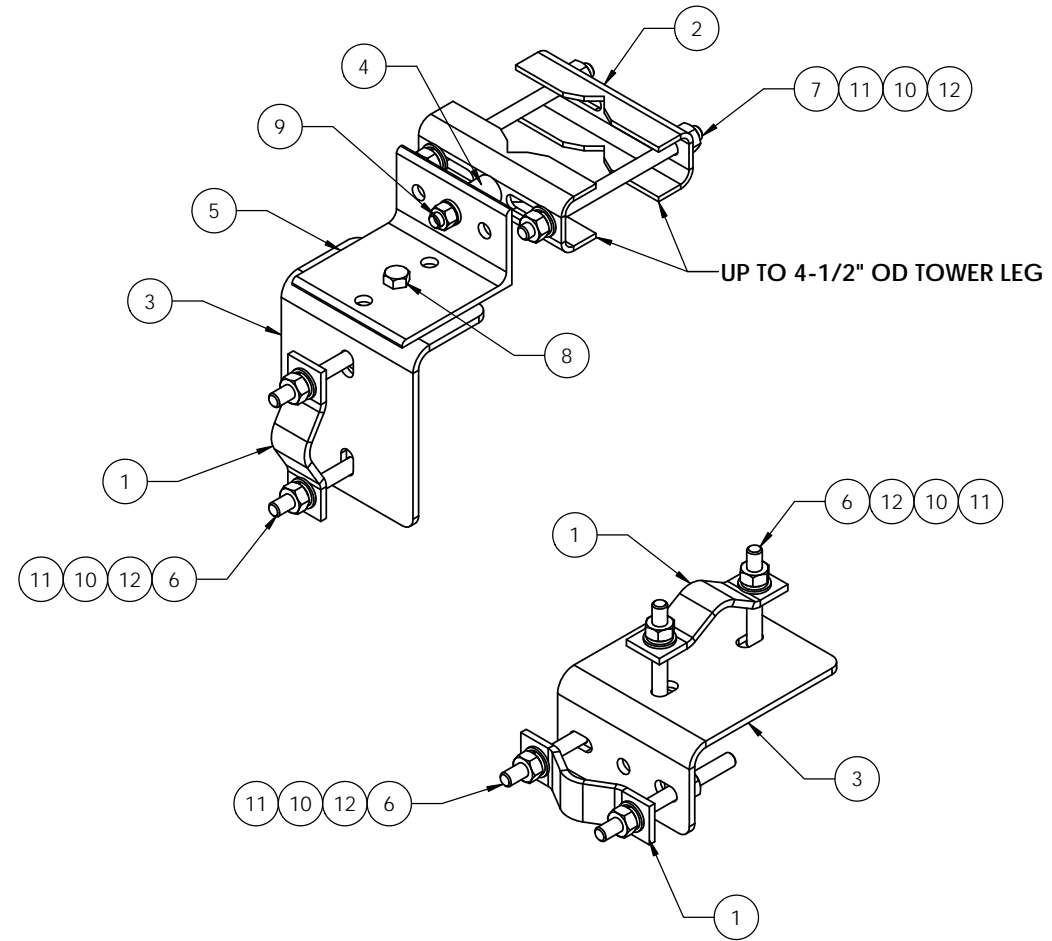
COMMScope, INC. OF NORTH CAROLINA

TOLERANCES		SAP MATERIAL MASTER	
0 PLACE X ± .25	2 PLACE .XX ± .06	SA-BU	
1 PLACE X ± .12	ANGLES ± 2°		
FINISH		MATERIAL	
GALV A123		A36	
UNLESS OTHERWISE SPECIFIED, DIMENSIONS ARE IN MILLIMETERS INTERPRET PER ISO STANDARDS HANDBOOK, TECHNICAL DRAWINGS, VOLUMES 1 & 2, THIRD EDITION (2002)		TITLE	
CE	MSM	DATE	07/09/09
RV		Universal Stiff Arm Adapter Kit	
AD			
RE	TP	SCALE	DOCUMENT NO.
ECN	8000014164	1:8	SA-BU
SIZE	WORK AREA	MODEL	DRAWING
C		VERSION	STATUS
		REVISION	REVISION
			B
			SHEET
			1 OF 2

DENSITY	0.17	lbs/in ³
MASS	20.53	lbs
VOLUME	120.05	in ³
SURFACE AREA		in ²

NOTES: 1. ALL METRIC DIMENSIONS ARE IN BRACKETS.
 2. HALF CLAMPS ALLOW 1-1/4"OD TO 3-1/2"OD PIPE.

ITEM	PART NO.	DESCRIPTION	QTY.	WEIGHT
1	ACP10	1.5" - 3.5" O.D. CLAMP HALF	3	0.61 LBS
2	SAB01	FORMED CLAMP	2	1.35 LBS
3	SABU01	Tie Back Mounting Angle	2	4.05 LBS
4	OS15034	3/4" X 1-1/2" OFFSET COLLAR	1	0.14 LBS
5	XA2020.01	CROSS OVER ANGLE	1	2.65 LBS
6	MT-379-6	1/2" X 6" GALV THREADED ROD	6	0.33 LBS
7	MT-379-8	1/2" X 8" GALV THREADED ROD	2	0.44 LBS
8	GB-04125	1/2" X 1-1/4" GALV BOLT KIT	1	0.12 LBS
9	GB-04265	1/2" X 2-3/4" GALV BOLT KIT	1	0.20 LBS
10	GWL-04	1/2" GALV LOCK WASHER	16	0.01 LBS
11	GWFO4A	1/2" GALV FLAT WASHER (A325)	16	0.02 LBS
12	GN-04A	1/2" GALV HEX NUT (A194 2H)	16	0.07 LBS



COMMSCOPE, INC. OF NORTH CAROLINA			
TITLE Universal Stiff Arm Mount Bracket			
SIZE C	SCALE 1:8	DOCUMENT NO. SA-BU	
DRAWING		SHEET	
VERSION	STATUS	REVISION B	2 OF 2

© 2015 CommScope, Inc. Confidential