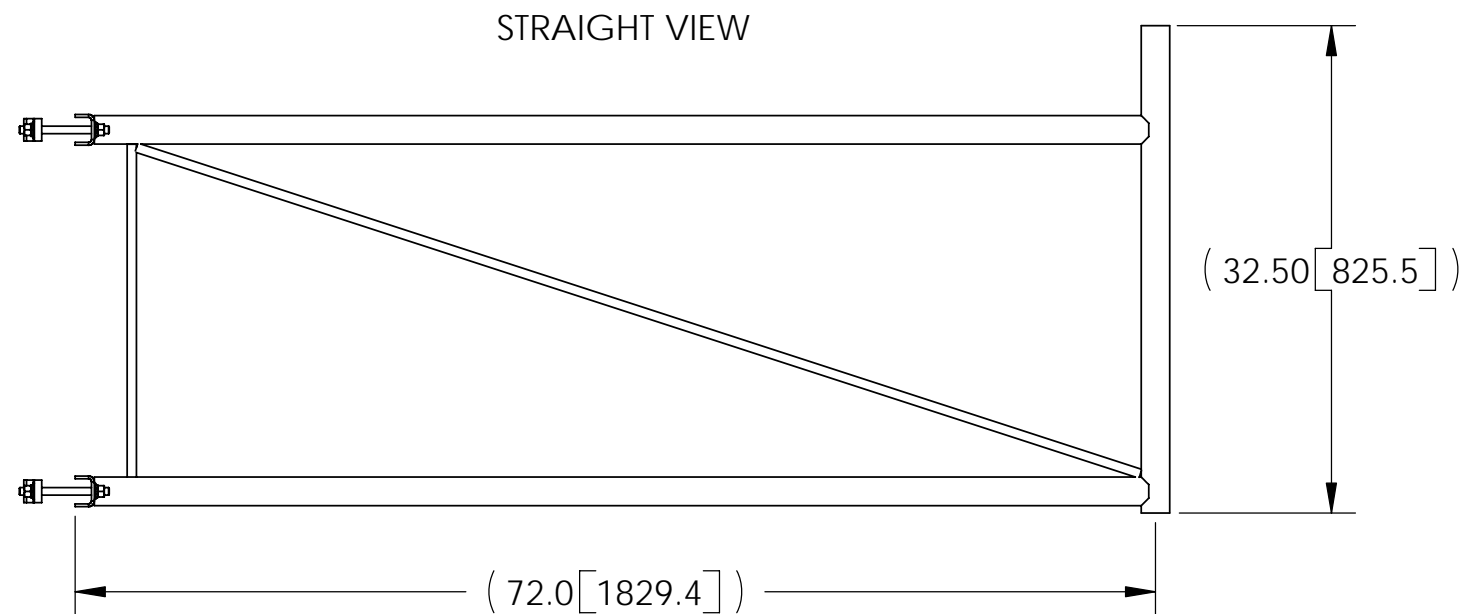
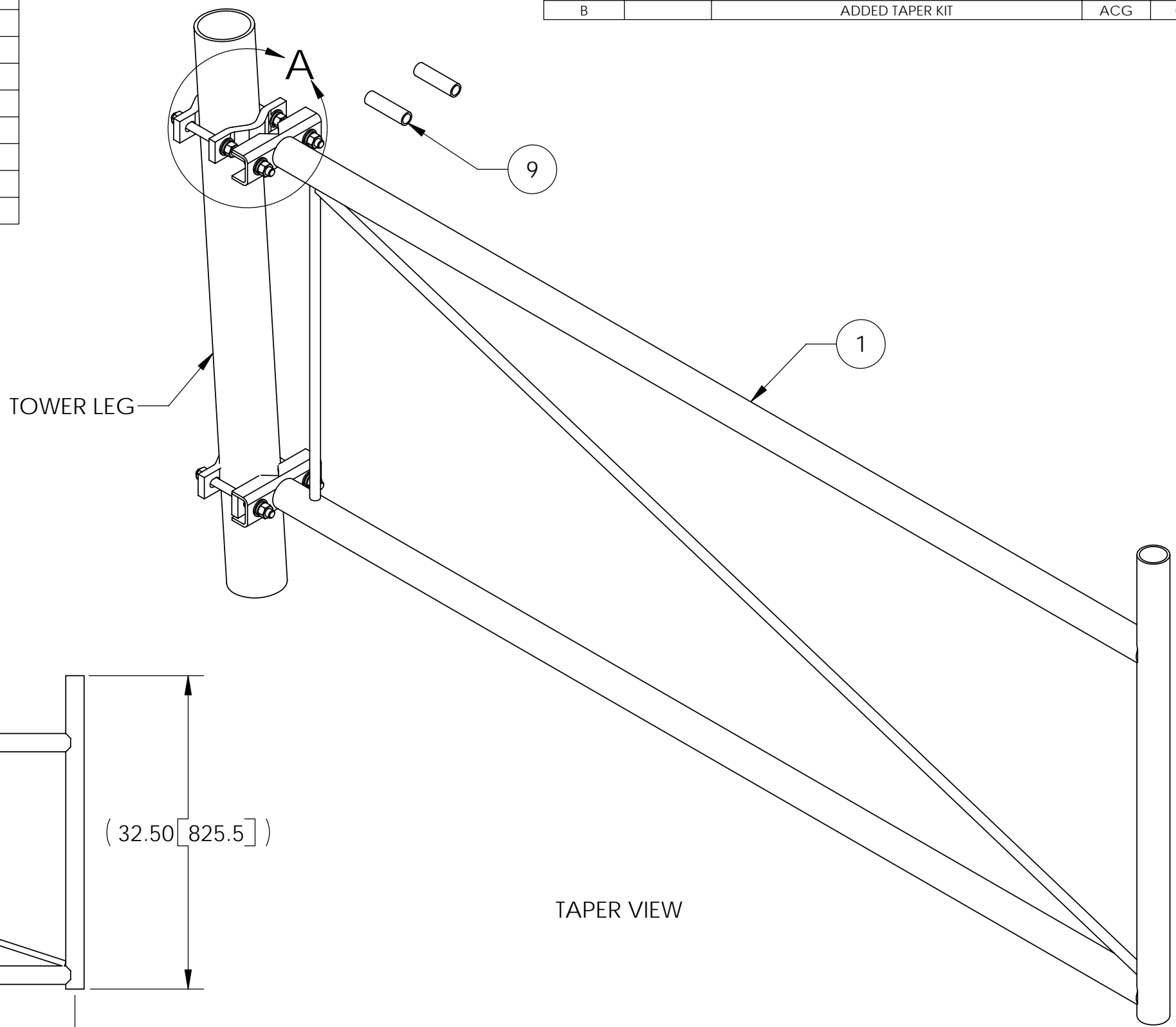
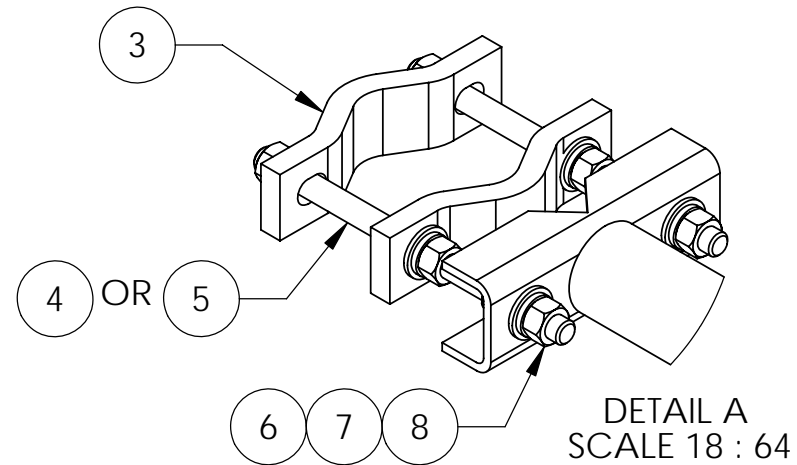



ITEM	PART NO.	DESCRIPTION	QTY.	WEIGHT
1	S600.01	72" STANDOFF WELDMENT	1	49.31 LBS
2	SH06	HARDWARE KIT (ITEMS 3-9)	1	
3	SCP10	SMALL DISH CLAMP HALF	4	1.20 LBS
4	MT-379-6	1/2" X 6" GALV THREADED ROD	4	0.33 LBS
5	MT-379-8	1/2" X 8" GALV THREADED ROD	2	0.44 LBS
6	GWFO4A	1/2" GALV FLAT WASHER (A325)	14	0.02 LBS
7	GWL-04	1/2" GALV LOCK WASHER	14	0.01 LBS
8	GN04A	1/2" GALV HEX NUT (A325)	14	0.14 LBS
9	OS312	1/2" X 3" OFFSET SLEEVE	2	0.21 LBS

REVISIONS				
REV.	ZONE	DESCRIPTION	BY	DATE
A		INITIAL RELEASE	ACG	04/05/05
B		ADDED TAPER KIT	ACG	08/18/06



NOTES:
 1. FITS $\phi 1\frac{1}{2}$ " O.D. TO $\phi 3\frac{1}{2}$ " O.D. ROUND TOWER LEGS.
 2. ADDITIONAL CLAMP SETS THAT ADAPT TO LARGER ROUND LEGS, ANGLE LEGS, OR TAPERED MEMBERS MAY BE PURCHASED SEPARATELY.

<small>These drawings and specifications are the proprietary property of ANDREW CORPORATION and may be used only for the specific purpose authorized in writing by Andrew Corporation.</small> ALL DIMENSIONS ARE IN INCHES U.O.S. TOLERANCES UNLESS OTHERWISE SPECIFIED: .X = ± .06 ANGLES ±2° .XX = ± .03 FRACTIONS ±1/32 .XXX = ± .010 REMOVE BURRS AND BREAK EDGES .005 DO NOT SCALE THIS PRINT	DRAWN BY: ACG CHECKED BY: TP DATE: 04/05/05 REVISION: B	SHEET: 1 of 1 SCALE: NTS MATERIAL: A36, A53 FINISH: GALV A123 WEIGHT: 81.74 LBS	PART NUMBER: S-600 DESCRIPTION: 72" STAND-OFF BRACKET DRAWING TYPE: ASSEMBLY DRAWING  ORLAND PARK, IL. 60462 U.S.A.
--	--	---	---