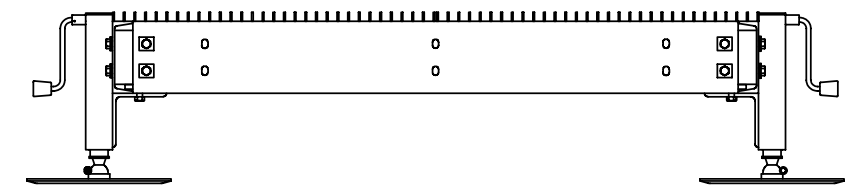
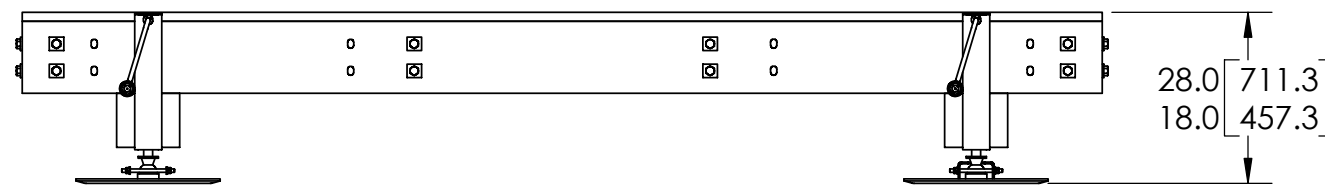
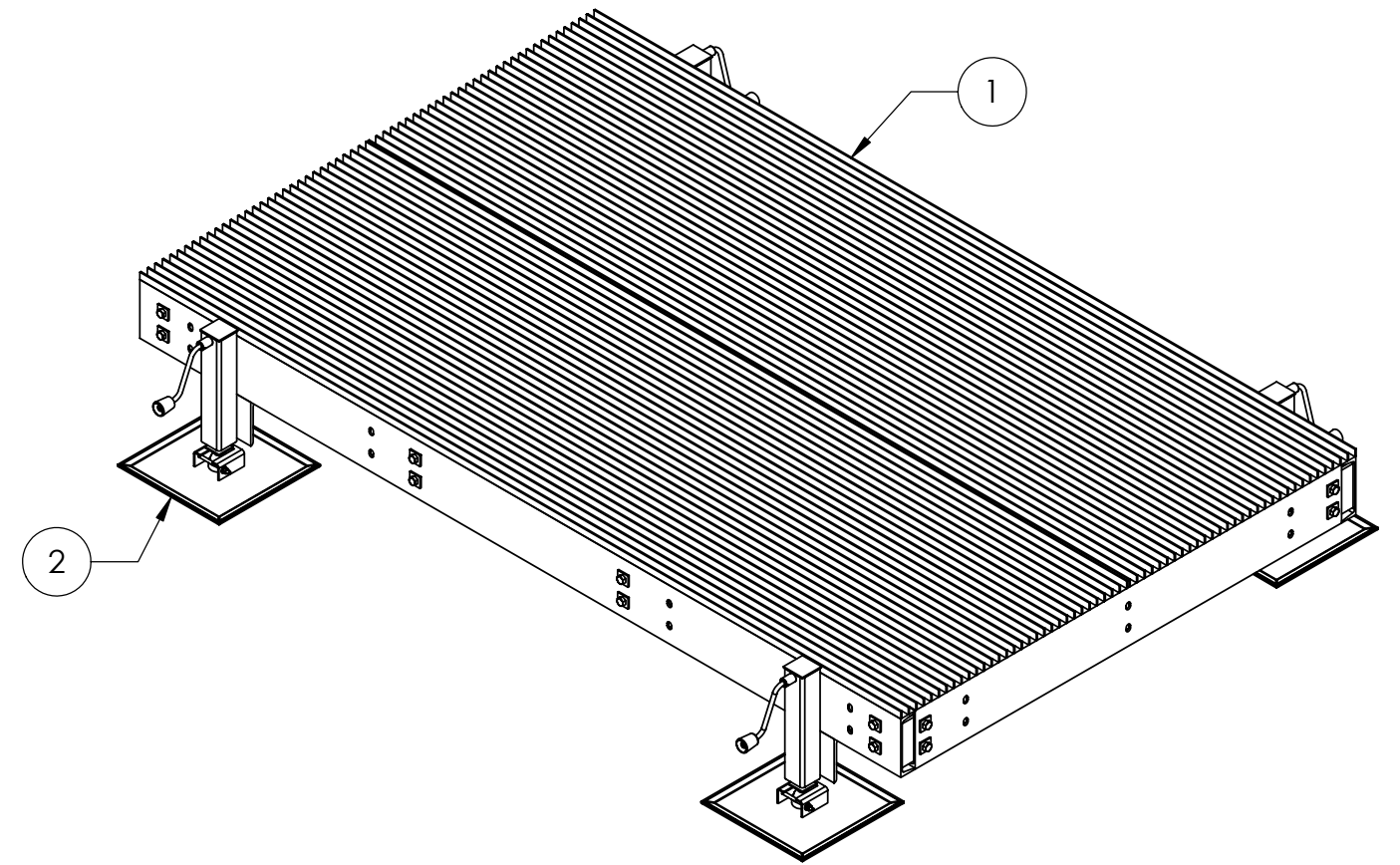
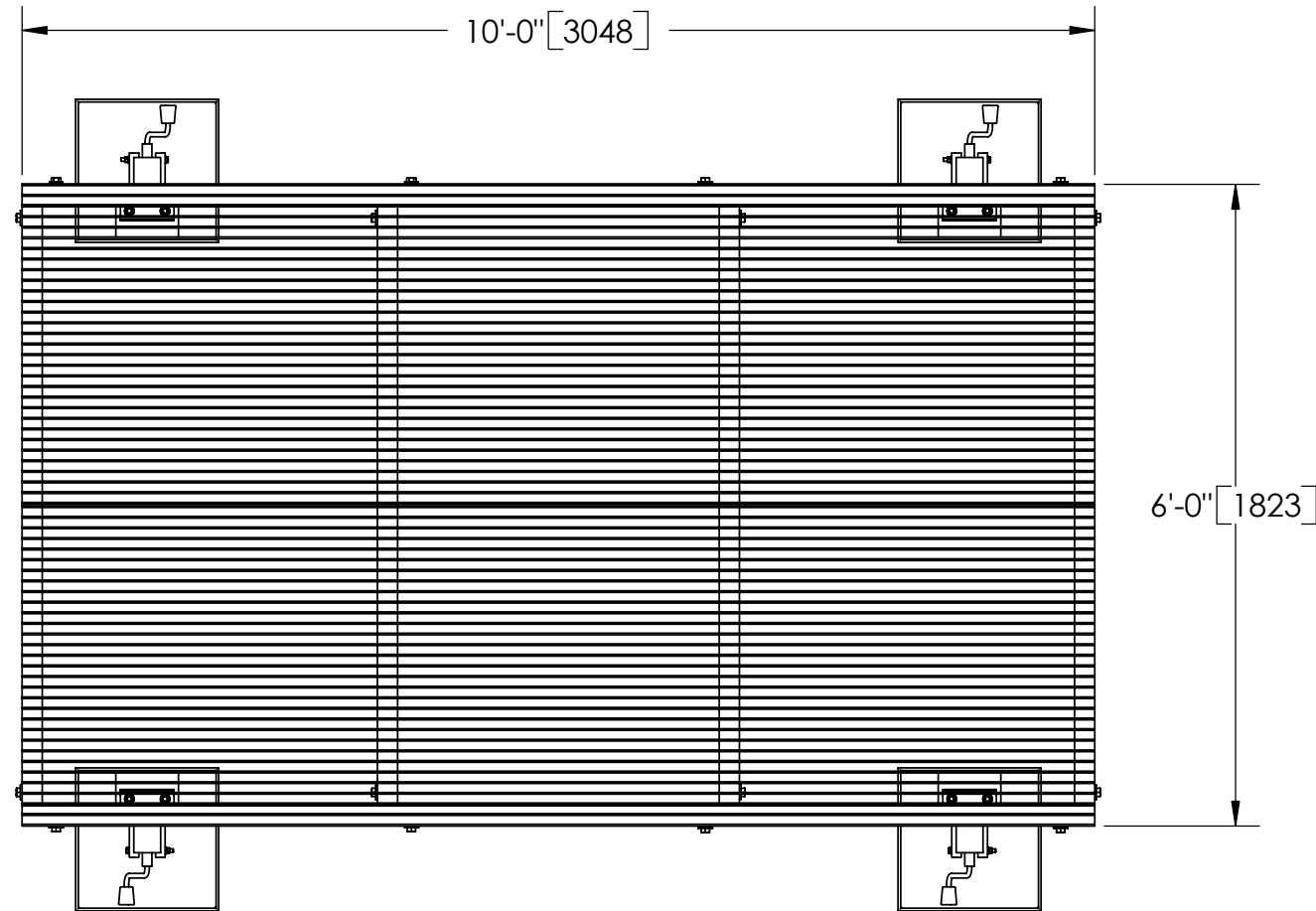



ITEM	PART NO.	DESCRIPTION	QTY.	WEIGHT
1	MTC88220610B	6' X 10' PLATFORM BASE	1	980.41 LBS
2	EQ-P-AL	ADJUSTABLE LEG KIT FOR EQ-P SERIES	4	89.43 LBS

REVISIONS				
REV.	ZONE	DESCRIPTION	BY	DATE
A		INITIAL RELEASE	ACG	08/27/07



NOTES:
1. ALL METRIC DIMENSIONS ARE IN BRACKETS.

<small>These drawings and specifications are the proprietary property of ANDREW CORPORATION and may be used only for the specific purpose authorized in writing by Andrew Corporation.</small> ALL DIMENSIONS ARE IN INCHES U.O.S. TOLERANCES UNLESS OTHERWISE SPECIFIED: .X = ± .06 ANGLES ±2° .XX = ± .03 FRACTIONS ±1/32 .XXX = ± .010 REMOVE BURRS AND BREAK EDGES .005 DO NOT SCALE THIS PRINT	DRAWN BY: ACG	SHEET: 1 of 1	PART NUMBER: MTCP0610B4AL
	CHECKED BY: TP	SCALE: NTS	DESCRIPTION: 6' X 10' PLATFORM W/ 4 AL LEGS
	DATE: 10/03/03	MATERIAL: A36	DRAWING TYPE: ASSEMBLY DRAWING
	REVISION: A	FINISH: GALV A123 WEIGHT: 1311.63 LBS	 ORLAND PARK, IL. 60462 U.S.A.