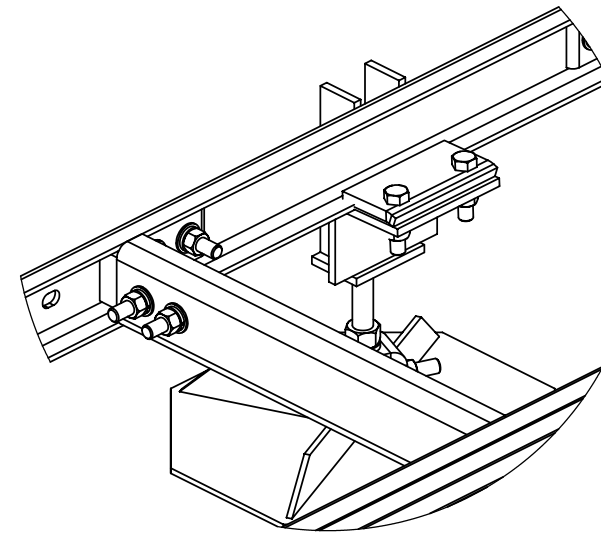
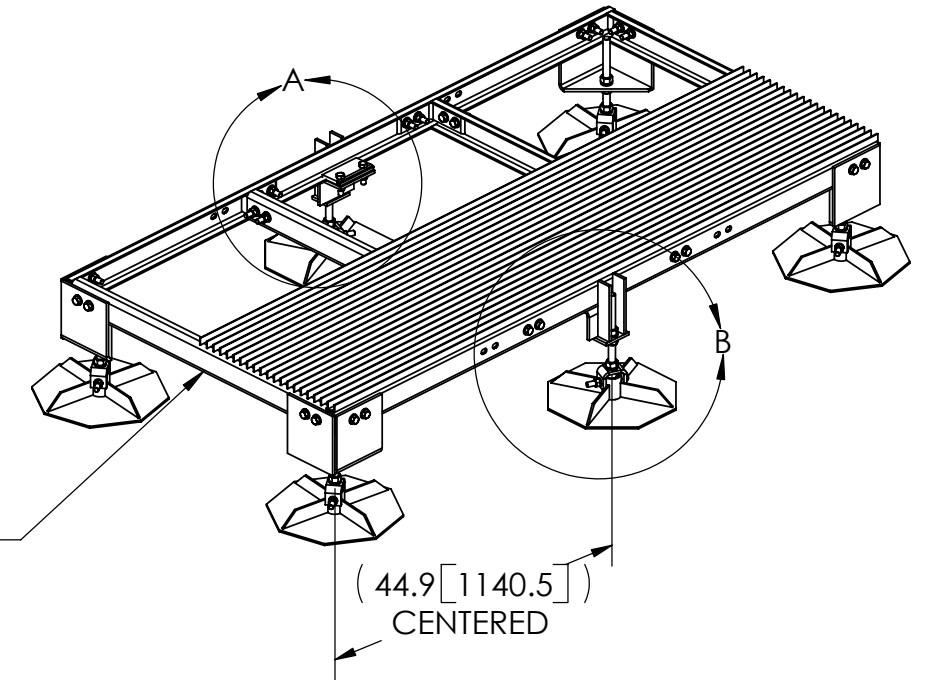


ITEM	PART NO.	DESCRIPTION	QTY.	WEIGHT
1	EQPDF.05	BASE FOOT	2	19.44 LBS
2	EQPDF.08	PIVOT CLIP	2	1.30 LBS
3	EQPDF.10	FOOTPAD BRACE	2	9.05 LBS
4	EQPDF.16	PINCH PLATE	2	2.49 LBS
5	MT3847812	7/8" X 12" GALV THREADED ROD	2	2.03 LBS
6	GB-05505	5/8" X 5" GALV BOLT KIT	2	0.08 LBS
7	GN-07	7/8" GALV HEX NUT	8	0.04 LBS
8	GWL-07	7/8" GALV LOCK WASHER	4	0.01 LBS
9	GB-05245	5/8" X 2-1/2" GALV BOLT KIT	4	0.08 LBS

REVISIONS				
REV.	ZONE	DESCRIPTION	BY	DATE
A		INITIAL RELEASE	MSM	03/03/08

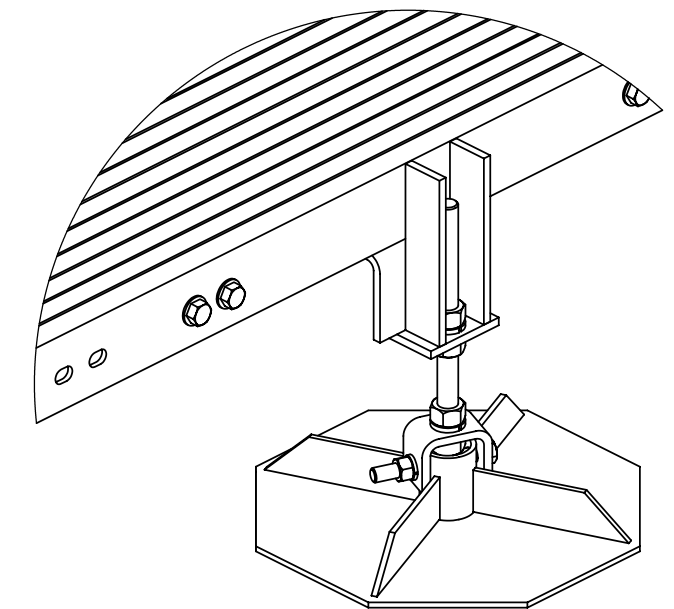
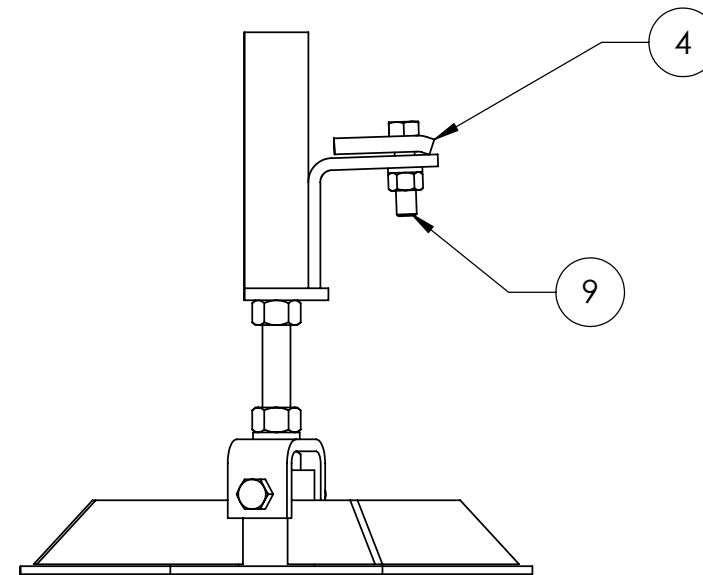
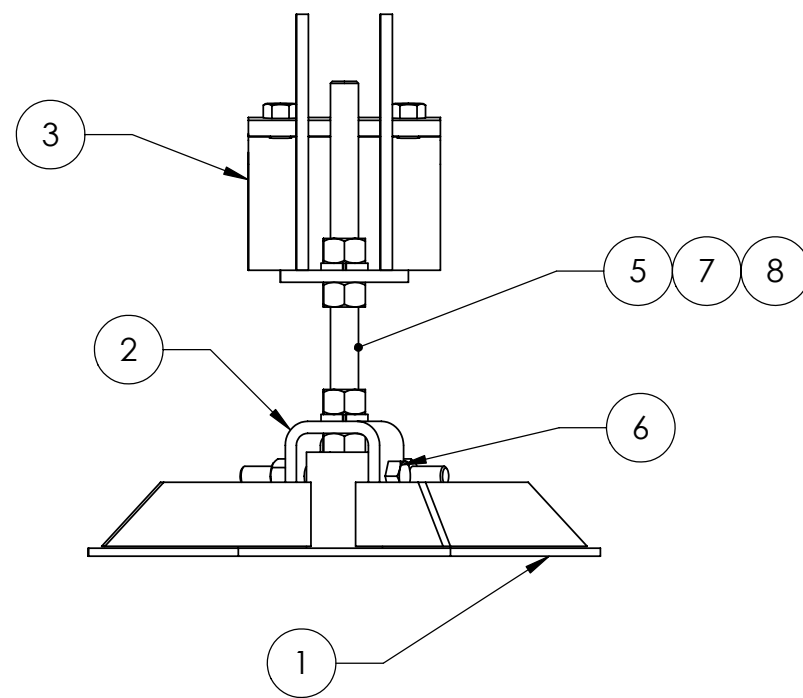


DETAIL A  
SCALE 1 : 8



PLATFORM ORDERED SEPERATELY

( 44.9 [ 1140.5 ] )  
CENTERED



DETAIL B  
SCALE 1 : 8

NOTES:

1. ALL METRIC DIMENSIONS ARE IN BRACKETS.
2. STAMP PART IDENTIFICATION NUMBER.

<small>These drawings and specifications are the proprietary property of ANDREW CORPORATION and may be used only for the specific purpose authorized in writing by Andrew Corporation.</small> ALL DIMENSIONS ARE IN INCHES U.O.S. TOLERANCES UNLESS OTHERWISE SPECIFIED: .X = ± .12      ANGLES      ±2° .XX = ± .06      FRACTIONS      ±1/32 .XXX = ± .03 REMOVE BURRS AND BREAK EDGES .005 DO NOT SCALE THIS PRINT	DRAWN BY: MSM	SHEET: 1 of 1	PART NUMBER: MTC9336LK
	CHECKED BY: TP	SCALE: NTS	DESCRIPTION: 2 LEGKIT
	DATE: 03/03/08	MATERIAL: A 36	DRAWING TYPE: ASSEMBLY SHOP DRAWING
	REVISION: A	FINISH: GALV A123	WEIGHT: 73.60 LBS