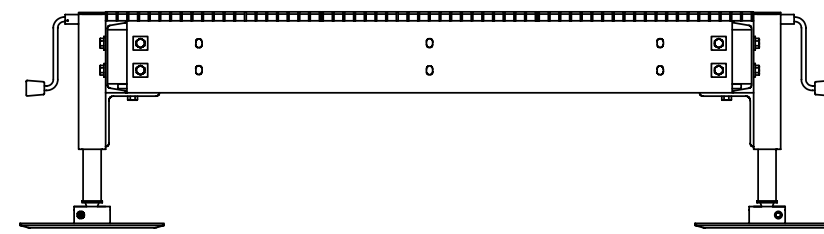
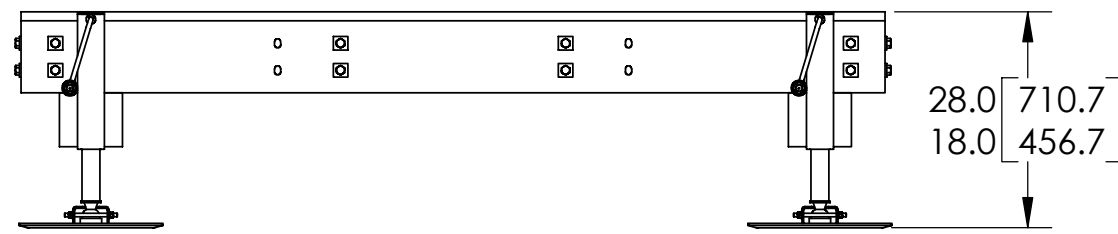
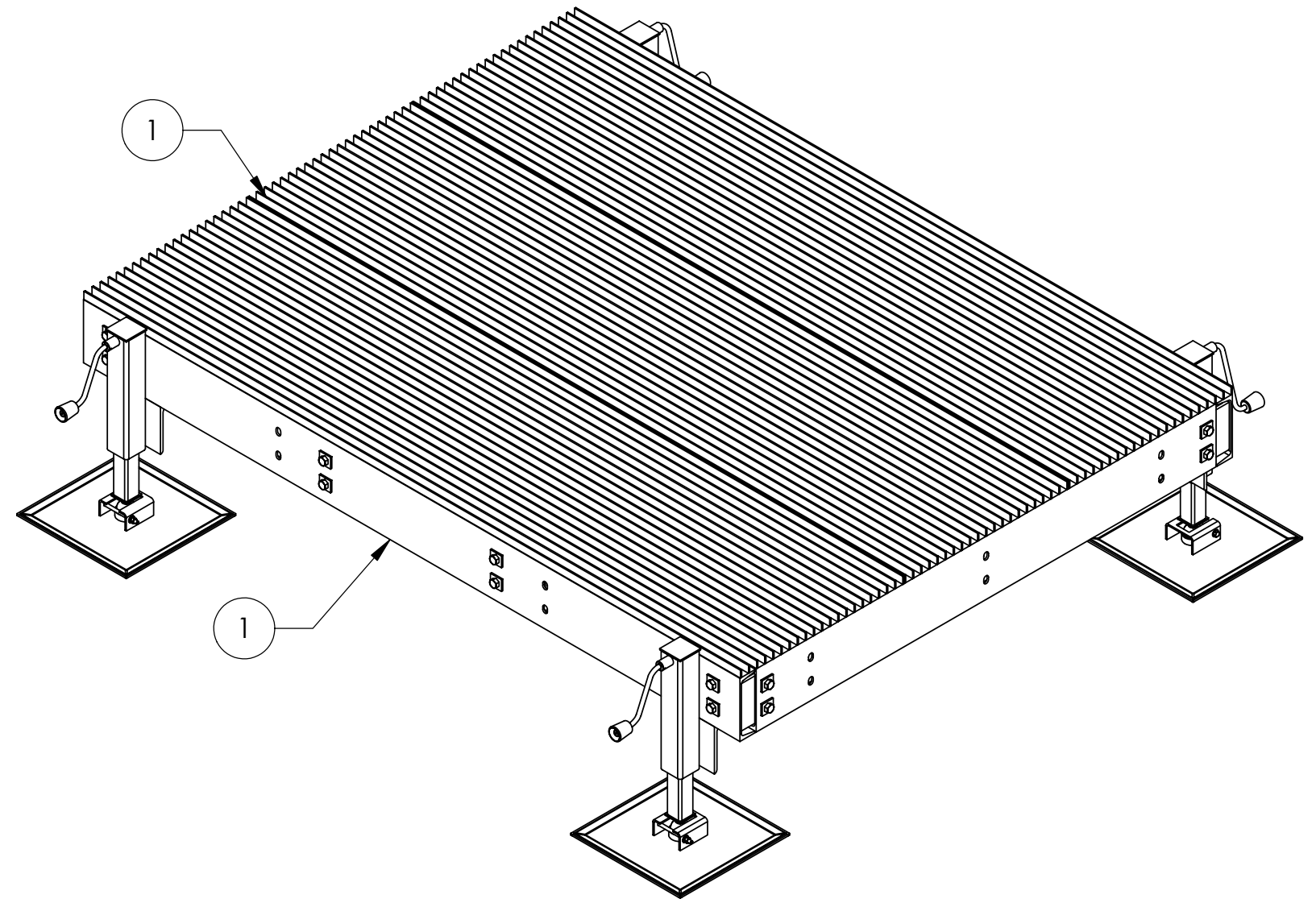
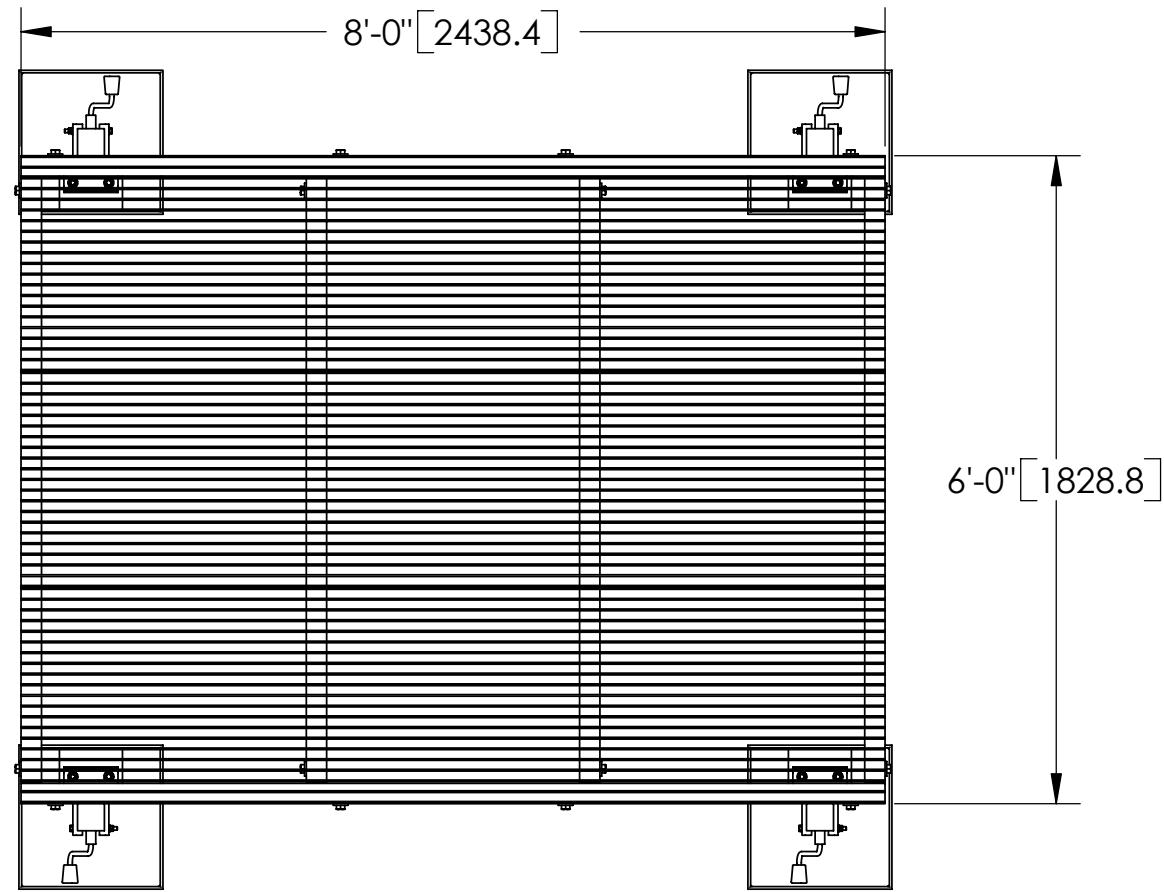



| ITEM | PART NO.     | DESCRIPTION                        | QTY. | WEIGHT     |
|------|--------------|------------------------------------|------|------------|
| 1    | MTC79020608B | 6' X 8' PLATFORM BASE              | 1    | 854.12 LBS |
| 2    | EQ-P-AL      | ADJUSTABLE LEG KIT FOR EQ-P SERIES | 4    | 89.43 LBS  |

| REVISIONS |      |                 |     |          |
|-----------|------|-----------------|-----|----------|
| REV.      | ZONE | DESCRIPTION     | BY  | DATE     |
| A         |      | INITIAL RELEASE | ACG | 02/17/06 |
| B         |      | UPDATE ITEM 1   | ACG | 04/10/07 |



NOTES:  
1. ALL METRIC DIMENSIONS ARE IN BRACKETS.

|  |                   |  |   |
|--|-------------------|--|---|
| <small>These drawings and specifications are the proprietary property of ANDREW CORPORATION and may be used only for the specific purpose authorized in writing by Andrew Corporation.</small><br>ALL DIMENSIONS ARE IN INCHES U.O.S.<br>TOLERANCES UNLESS OTHERWISE SPECIFIED:<br>.X = ± .06      ANGLES      ±2°<br>.XX = ± .03      FRACTIONS      ±1/32<br>.XXX = ± .010<br>REMOVE BURRS AND BREAK EDGES .005<br>DO NOT SCALE THIS PRINT | DRAWN BY:<br>ACG  | SHEET:<br>1 of 1                               | PART NUMBER:<br>MTC79020608B4AL   |
|  | CHECKED BY:<br>TP | SCALE:<br>NTS                                  | DESCRIPTION:<br>6' X 8' PLATFORM W/ 4 AL LEGS   |
|  | DATE:<br>02/17/06 | MATERIAL:<br>A36, A568                         | DRAWING TYPE:<br>ASSEMBLY DRAWING   |
|  | REVISION:<br>B    | FINISH:<br>GALV A123<br>WEIGHT:<br>1211.85 LBS |  ORLAND PARK, IL. 60462 U.S.A. |