

4

3

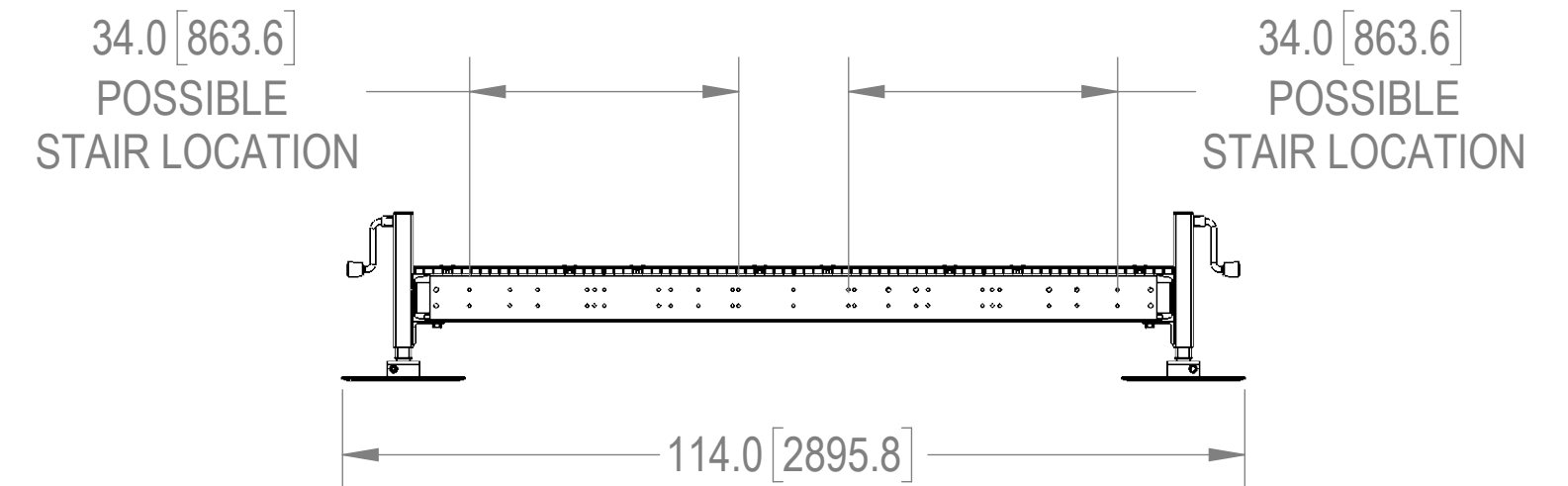
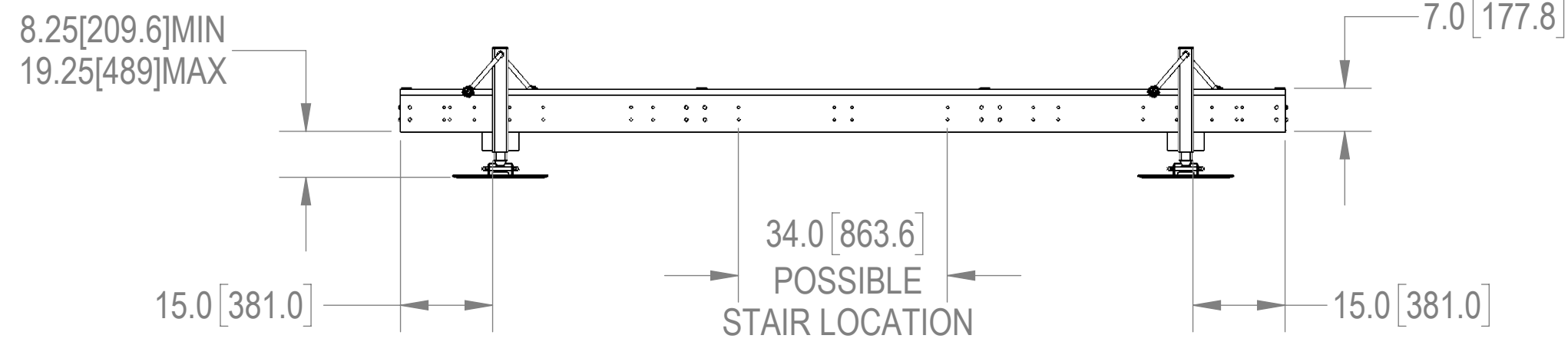
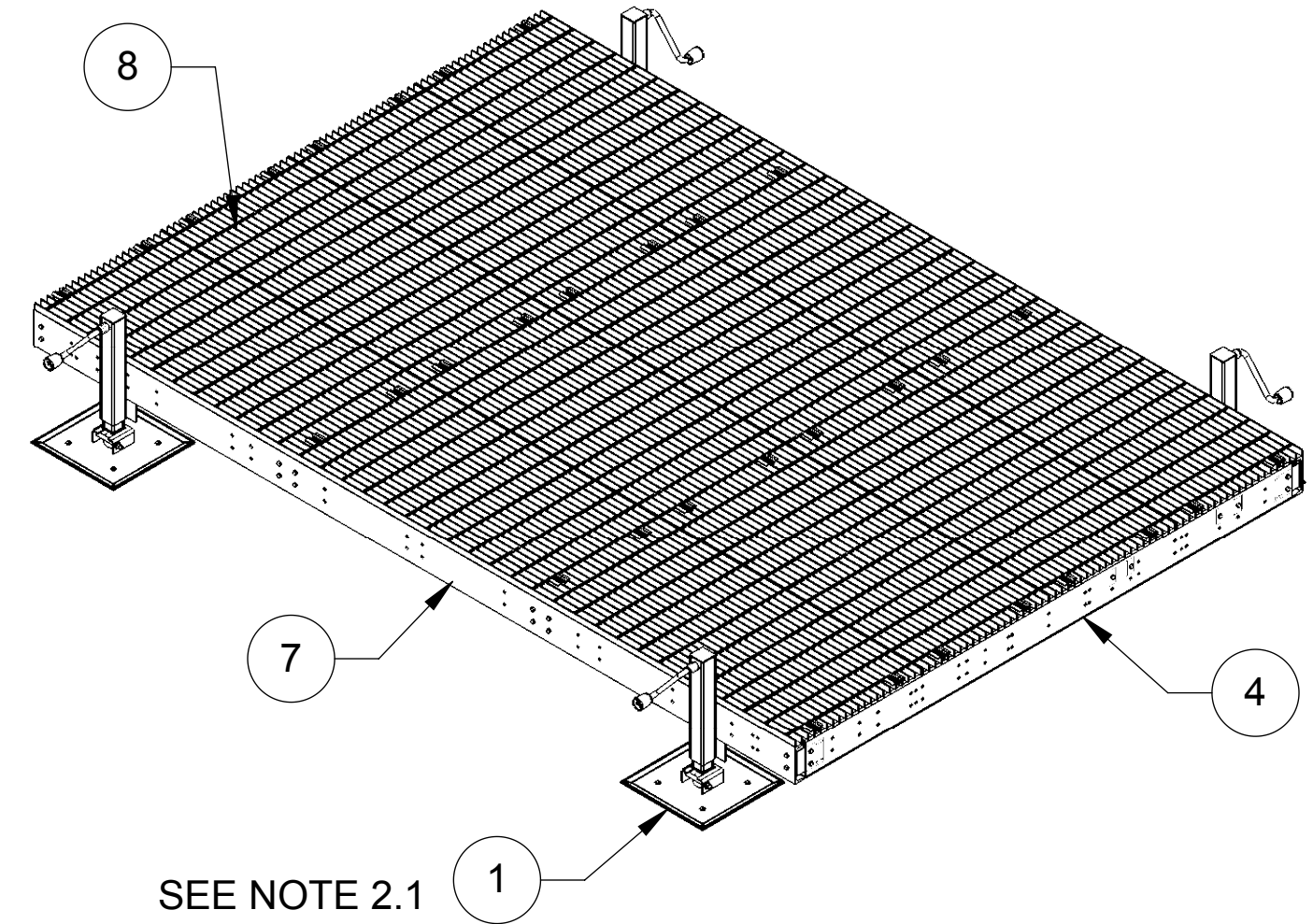
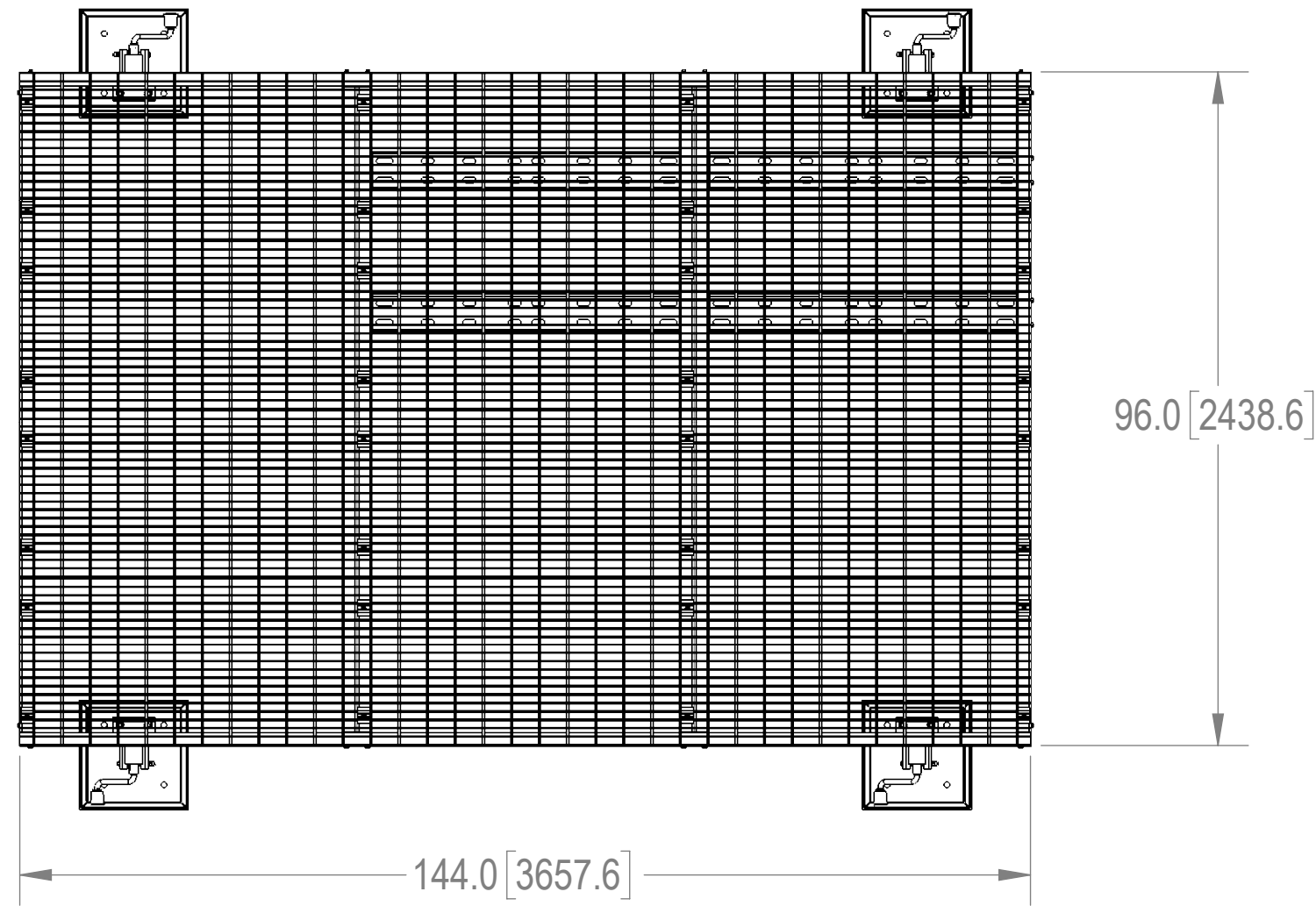
2

1

NOTES:

- 1.0 GENERAL
 - 1.1 ALL METRIC DIMENSIONS ARE IN BRACKETS
- 2.0 DESIGN NOTES
 - 2.1 ALL EQ-O-AL FEET TO BE MOUNTED TO MTC4038B02 CHANNELS ONLY.
- 3.0 MANUFACTURING/SPECIAL REQUIRMENTS
- 4.0 TEST
- 5.0 PACKAGING

REVISIONS				
REV.	ECN	DESCRIPTION	BY	DATE
A	8000030686	INITIAL RELEASE	MRC	07/09/18
B	8000032435	ADDED VIEWS FOR ASSY CLARITY	MRC	11/7/18



ITEM	PART NO.	DESCRIPTION	QTY.	WEIGHT	NOTE NO.
1	EQ-P-AL	ADJ. LEG FOR EQ. PLATFORM	4	56 LBS	
2	GB-03125	3/8" X 1-1/4" GALV BOLT KIT	52	0.06 LBS	
3	MTC390324	BAR GRATING CLIP	32	0.17 LBS	
4	MTC398904	CHANNEL, FORMED 6" X 8" PLATFORM	6	28.78 LBS	
5	MTC398905	BRACKET, CHANNEL ADAPTER	12	0.84 LBS	
6	MTC4037B12	CHANNEL, 11 GA, 4" X 5.2" X 47.5"	4	21.16 LBS	
7	MTC4038B02	CHANNEL, FRONT/BACK 8X12 PLTFRM	2	97.05 LBS	
8	MTC7902712.03	24" X 144" BAR GRATING	4	172.46 LBS	
9	TS1220	12-24 X 2" SELF DRILLING SCREW	32	0.03 LBS	

COMMSCOPE, INC. OF NORTH CAROLINA

TOLERANCES		SAP MATERIAL MASTER	
0 PLACE X ± .25	2 PLACE .XX ± 0.06	MTC4038AL	
1 PLACE X ± 0.12	ANGLES ± 2°		
FINISH GALV A123		MATERIAL A1011/A1018, A500	
UNLESS OTHERWISE SPECIFIED DIMENSIONS ARE IN INCHES INTERPRET PER ANSI Y 14.5M-1994		TITLE	
CE	MRC	DATE	06/27/18
RW	MC1107	DATE	11/20/2018
RV		DATE	11/20/2018
AD	BCAMPBELLCON	DATE	11/26/2018
RE	RD1048	DATE	11/26/2018
ECN 008000032435		SCALE	DOCUMENT NO.
		1:24	MTC4038AL
SIZE	WORK AREA 24	MODEL	
C		VERSION	STATUS
		01	RE
		DRAWING	
		VERSION	STATUS
		02	RE
		REVISION	REVISION
			B
		SHEET	
		1 OF 5	

4

3

2

1

4

3

2

1

NOTES:

D

D

C

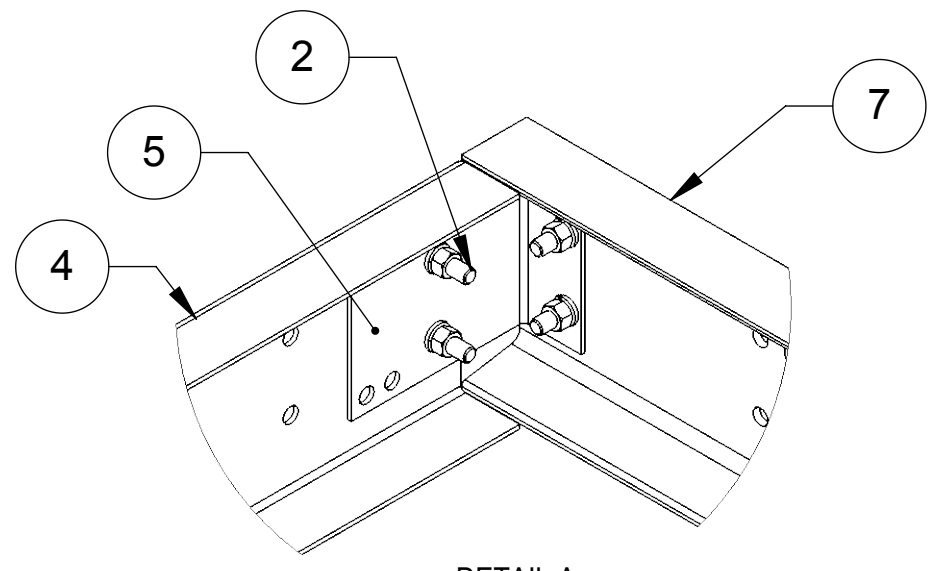
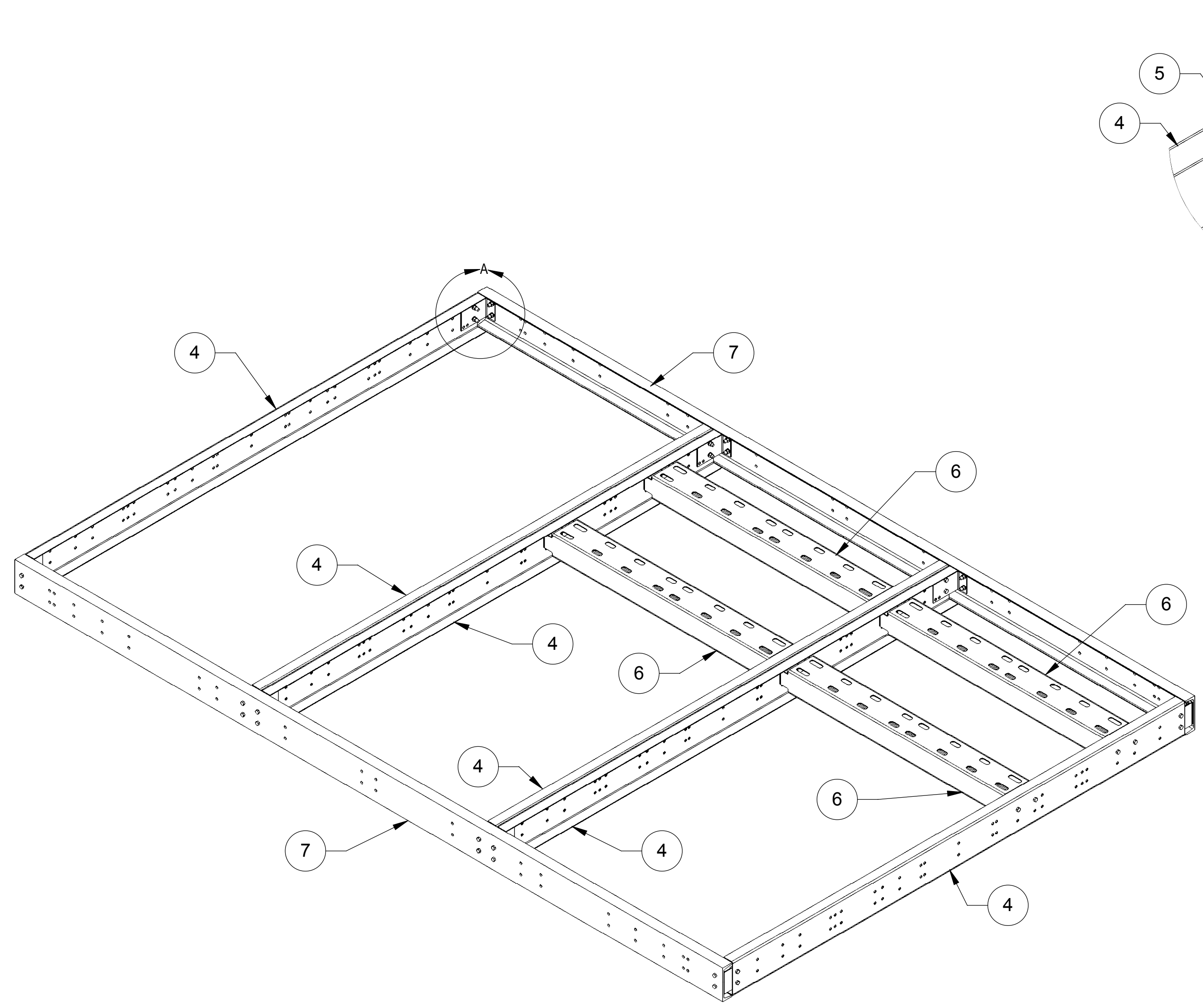
C

B

B

A

A



COMMSCOPE, INC. OF NORTH CAROLINA				
TITLE 8X12 C6 EQUIP PLAT WITH (4) AL FEET				
SIZE C	SCALE 1:12	DOCUMENT NO. MTC4038AL		
		DRAWING		SHEET 2 OF 5
		VERSION 02	STATUS RE	

© 2018 CommScope, Inc. Confidential

4

3

2

1

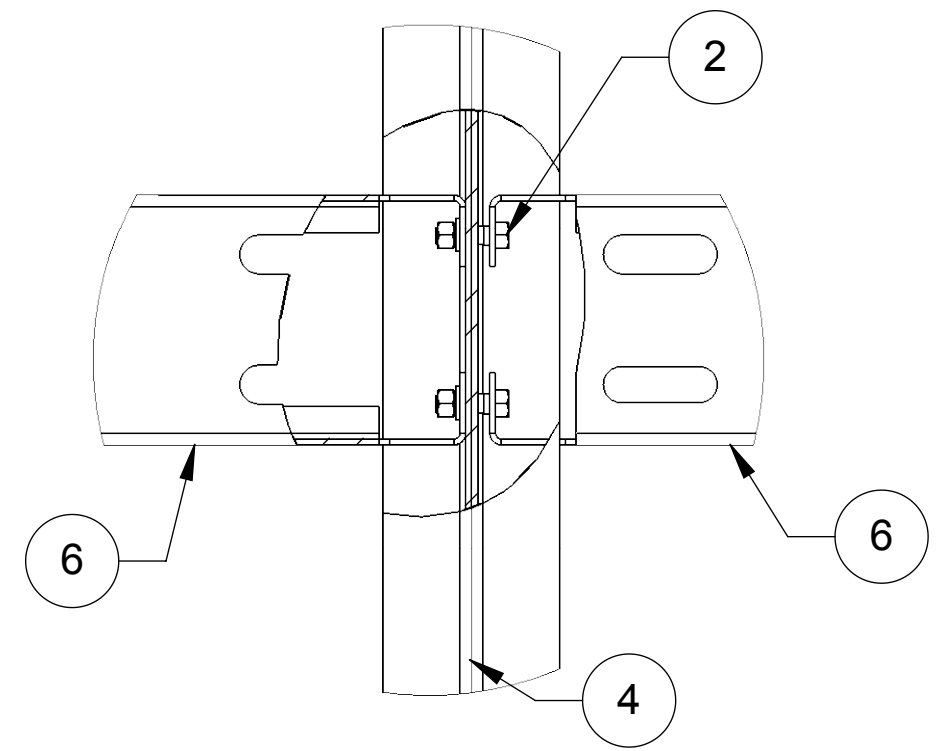
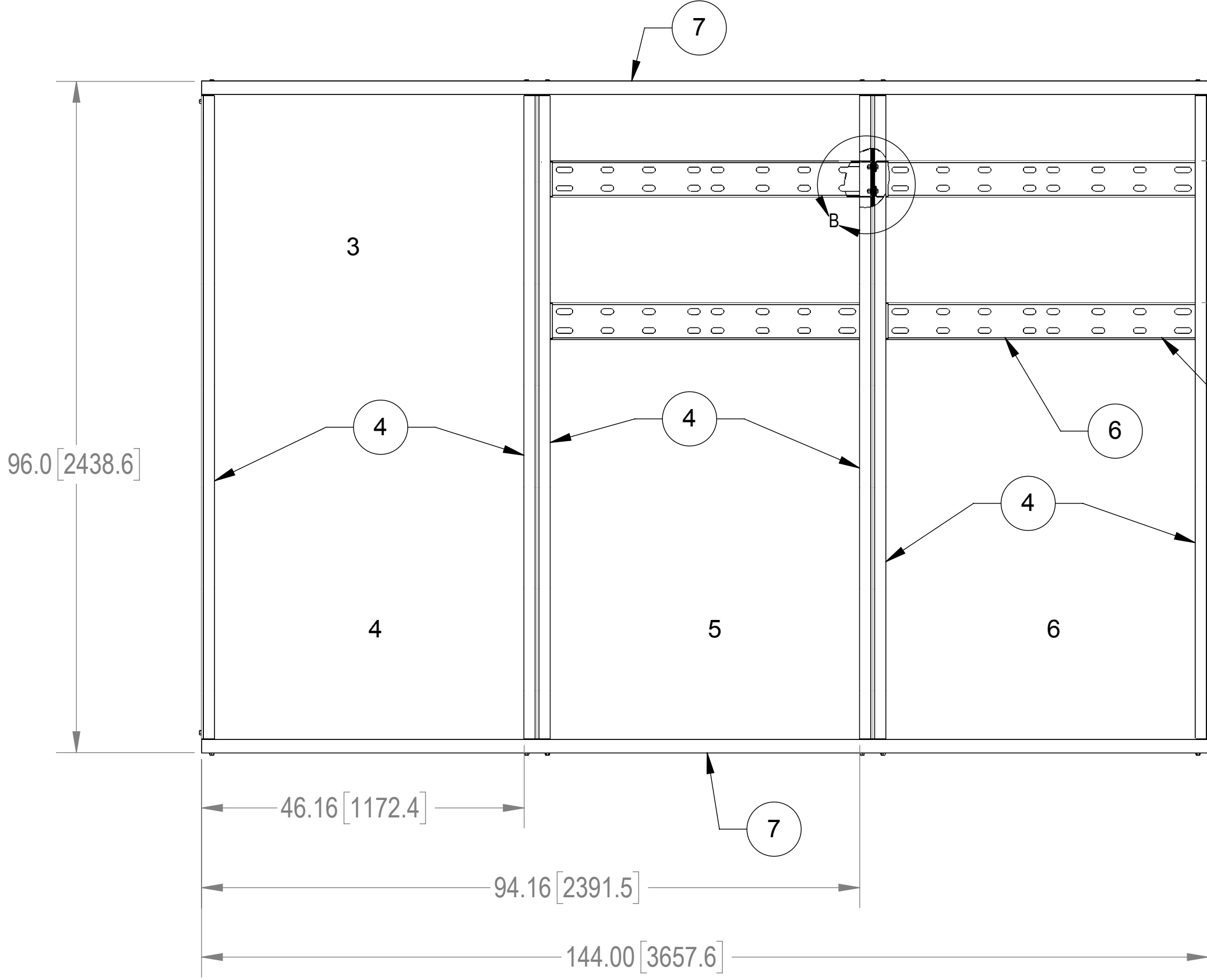
4

3

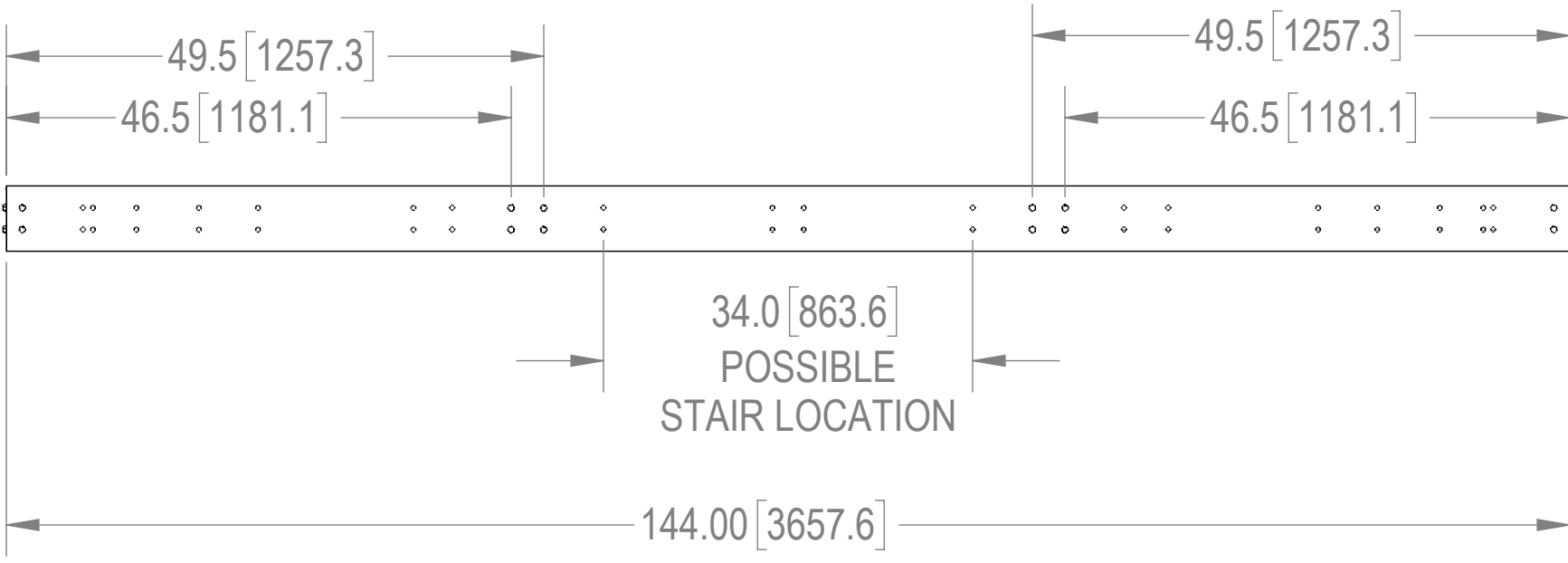
2

1

NOTES:
1.0 ALL METRIC DIMENSIONS ARE IN BRACKETS.



ADDITIONAL CHANNEL SUPPORTS
PURCHASED SEPARATELY FOR
POSITION 3,4,3,5&6



COMMSCOPE, INC. OF NORTH CAROLINA				
TITLE 8X12 C6 EQUIP PLAT WITH (4) AL FEET				
SIZE C	SCALE 1:16	DOCUMENT NO. MTC4038AL		
		DRAWING		SHEET
		VERSION	STATUS	REVISION
		02	RE	B
				3 OF 5

© 2018 CommScope, Inc. Confidential

4

3

2

1

4

3

2

1

NOTES:

D

D

C

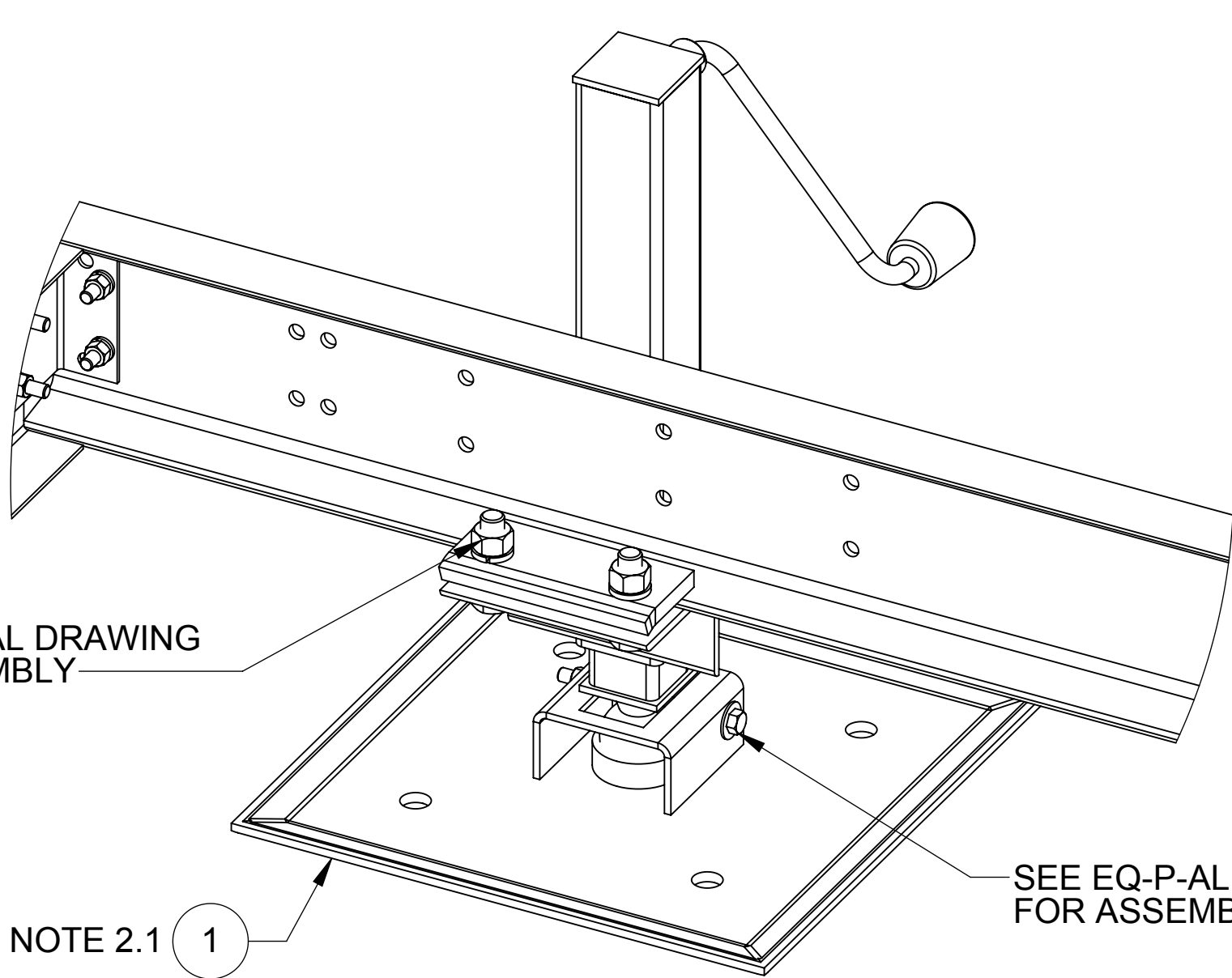
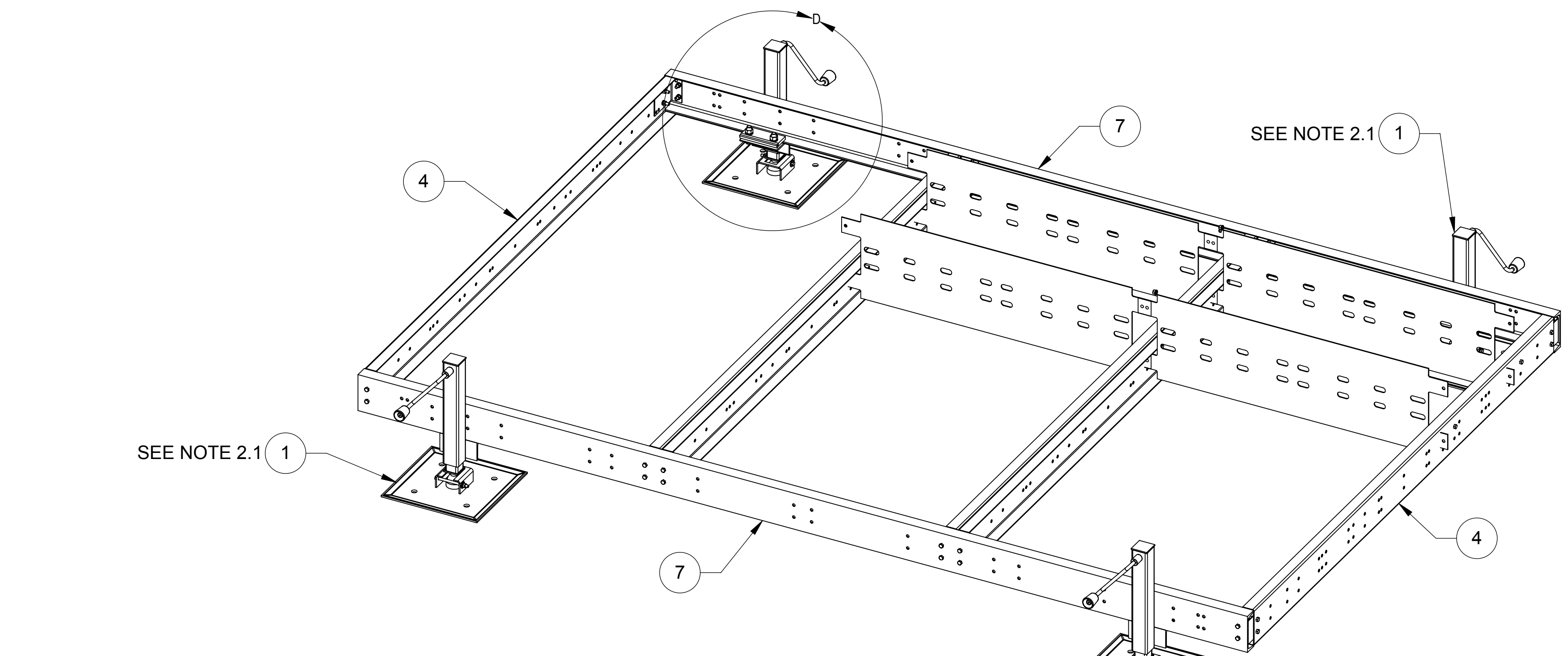
C

B

B

A

A



DETAIL D
SCALE 1 : 4

COMMSCOPE, INC. OF NORTH CAROLINA				
TITLE 8X12 C6 EQUIP PLAT WITH (4) AL FEET				
SIZE C	SCALE 1:12	DOCUMENT NO. MTC4038AL		
		DRAWING		SHEET
		VERSION 02	STATUS RE	REVISION B

© 2018 CommScope, Inc. Confidential

4

3

2

1

4

3

2

1

NOTES:

1.0 ALL METRIC DIMENSIONS ARE IN BRACKETS.

D

D

C

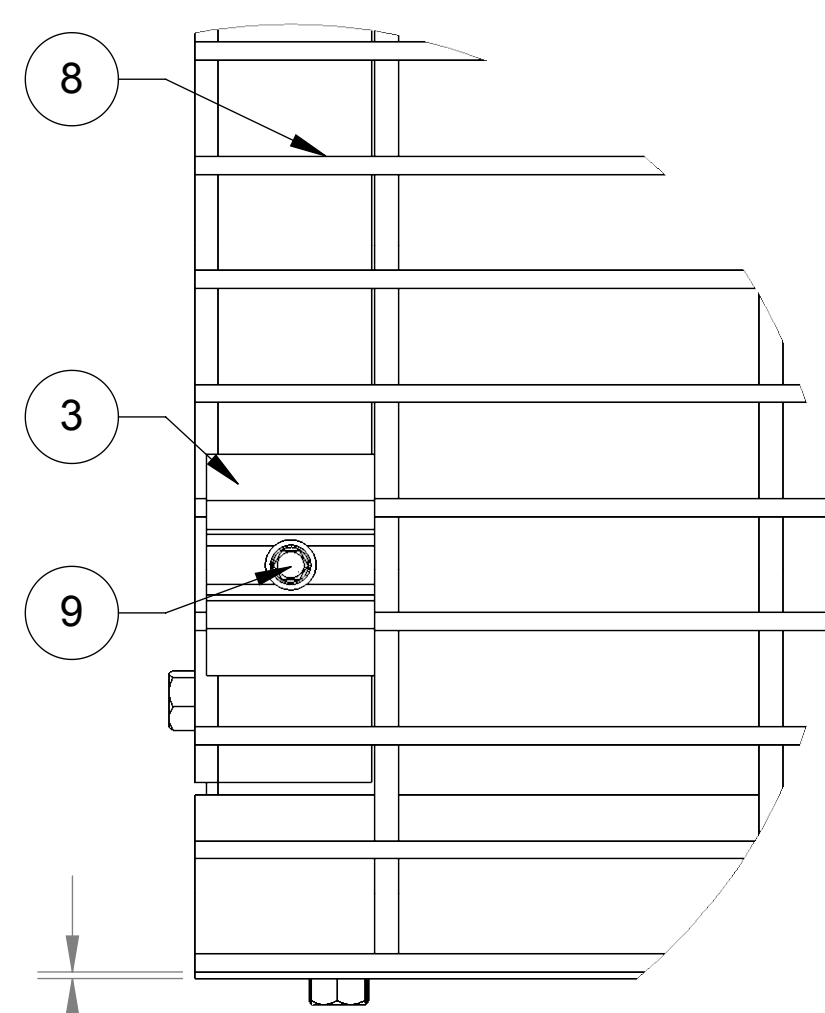
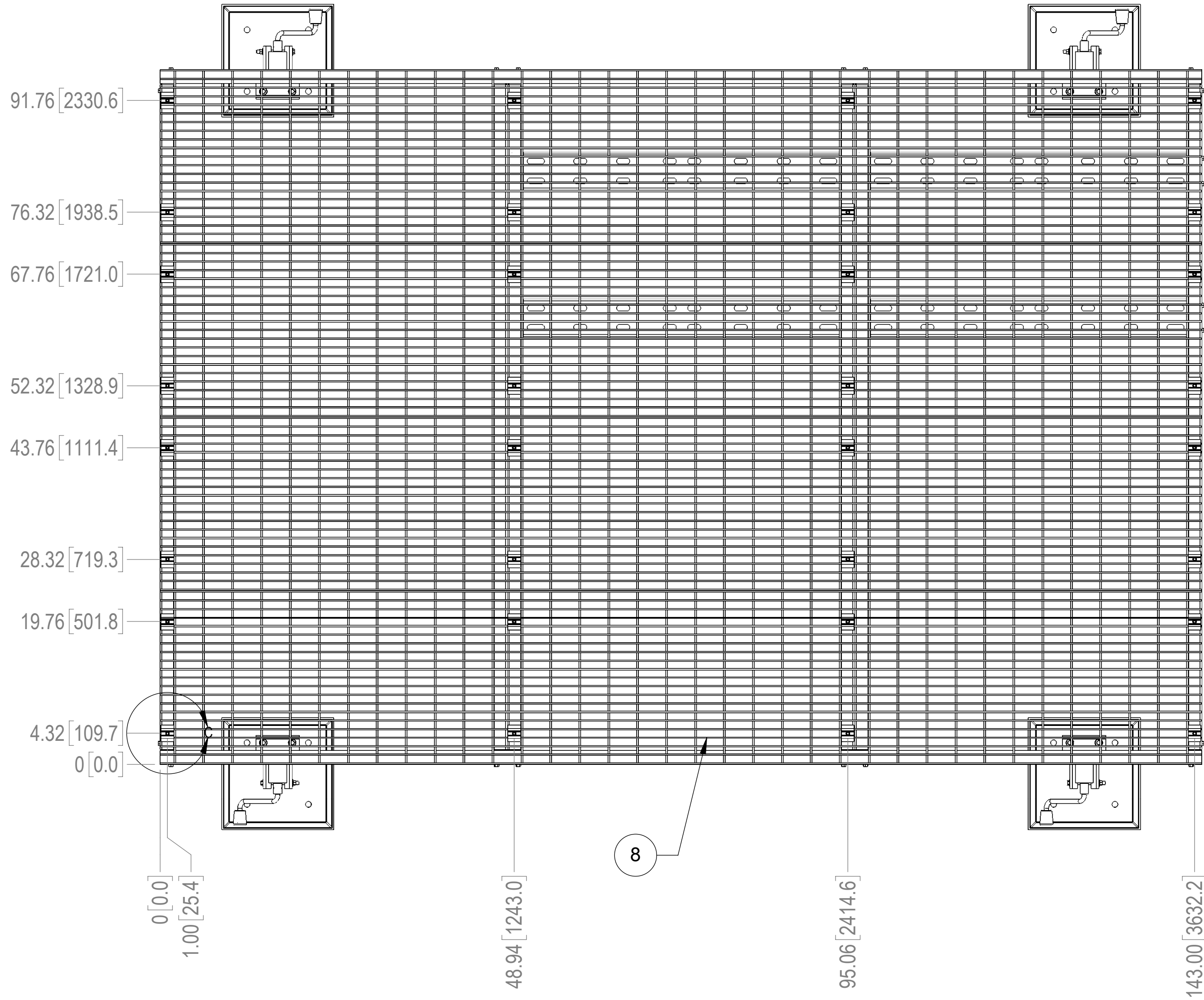
C

B

B

A

A



DETAIL C
SCALE 1:2

.07 [1.7]

0 [0.0]
1.00 [25.4]

48.94 [1243.0]

8

95.06 [2414.6]

143.00 [3632.2]

4.32 [109.7]
0 [0.0]

19.76 [501.8]

28.32 [719.3]

43.76 [1111.4]

52.32 [1328.9]

67.76 [1721.0]

76.32 [1938.5]

91.76 [2330.6]

COMMSCOPE, INC. OF NORTH CAROLINA				
TITLE 8X12 C6 EQUIP PLAT WITH (4) AL FEET				
SIZE C	SCALE 1:12	DOCUMENT NO. MTC4038AL		
		DRAWING		SHEET
		VERSION	STATUS	REVISION
		02	RE	B
				SHEET 5 OF 5

© 2018 CommScope, Inc. Confidential

4

3

2

1