

4

3

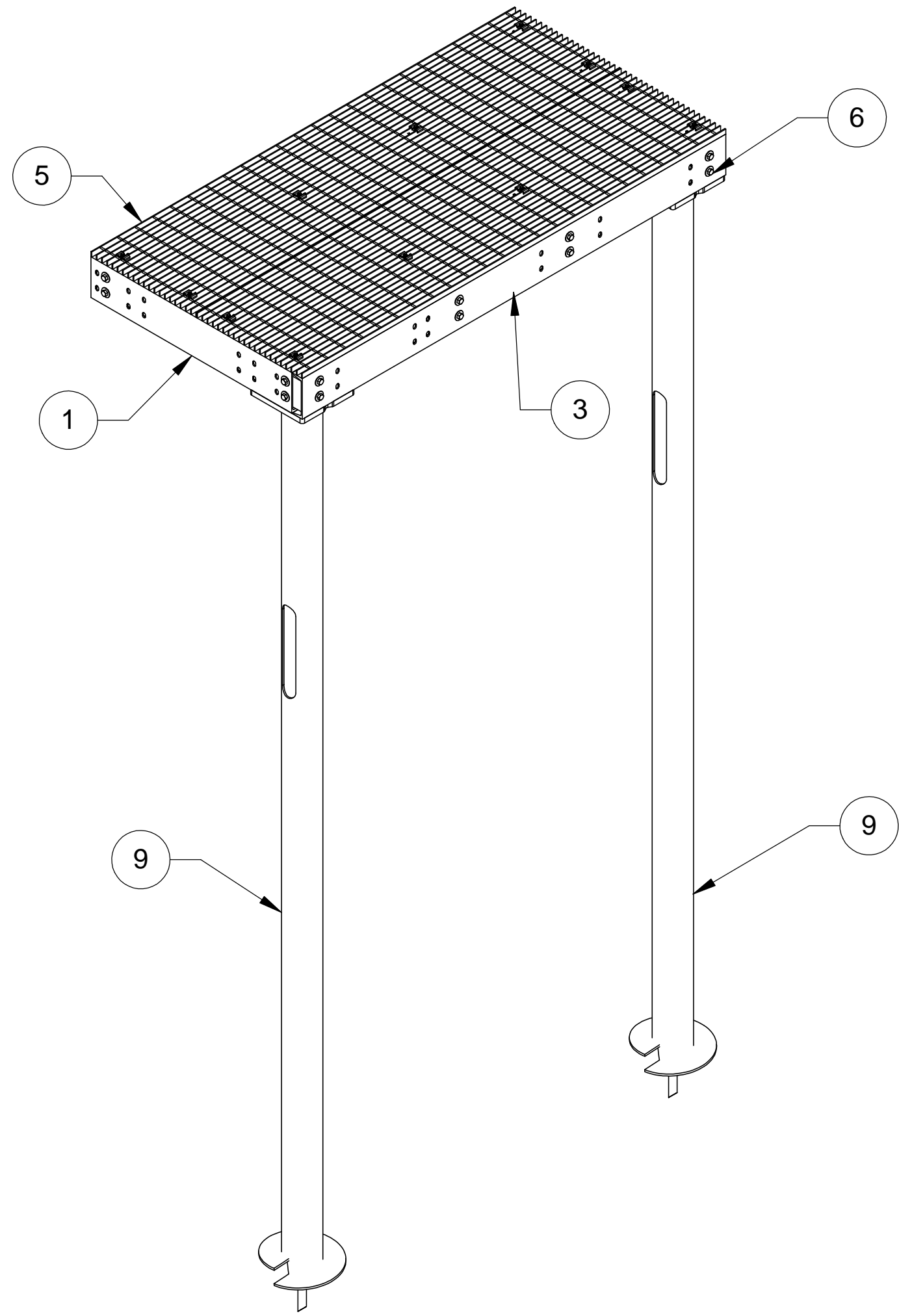
2

1

NOTES:

1.0 ALL METRIC DIMENSIONS ARE IN BRACKETS.

REVISIONS				
REV.	ECN	DESCRIPTION	BY	DATE
A	8000028653	INITIAL RELEASE	RJC	03/05/18



ITEM	PART NO.	DESCRIPTION	QTY.	WEIGHT	NOTE NO.
1	MTC3738E410	CHANNEL, EXTENSION	4	42.69 LBS	
2	MTC790203	CHANNEL ADAPTER ANGLE	6	7.07 LBS	
3	MTC79020808.05	8' SIDE CHANNEL	1	90.60 LBS	
4	MTC3738106	BRACKET, CORNER - WELDMENT	2	8.70 LBS	
5	MTC79020808.03	24" X 96" BAR GRATING	2	114.17 LBS	
6	GB-05205	5/8" X 2" GALV BOLT KIT	32	0.26 LBS	
7	GW-05	5/8" GALV FLAT WASHER	64	0.06 LBS	
8	GCM03	GRATING CLIP	12	0.44 LBS	
9	ST-HB1512	LIGHTING FOUNDATION 15', 6.63" OD; 12" SQ	2	312.26 LBS	
10	MTC397901	PINCH PLATE	2	0.90 LBS	
11	MTC397902	PINCH PLATE, LONG	2	2.84 LBS	
12	GW-08	1" Galv Flat Washer	12	0.09 LBS	
13	GB-0828A	1"-8 X 3-1/2" GALV BOLT KIT (A325)	6	1.10 LBS	

DENSITY	0.28	lbs/in ³
MASS	3779.39	lbs
VOLUME	13403.28	in ³
SURFACE AREA		in ²
HEIGHT		
LENGTH		
WIDTH		

COMMScope, INC. OF NORTH CAROLINA

TOLERANCES		SAP MATERIAL MASTER	
0 PLACE X ± .25	2 PLACE .XX ± .06	MTC3982G1512	
1 PLACE .X ± .12	ANGLES ± 2°		
FINISH		MATERIAL	
GALV A123		A1011/A1018, A500, A529, A572	
UNLESS OTHERWISE SPECIFIED DIMENSIONS ARE IN MILLIMETERS INTERPRET PER ISO STANDARDS HANDBOOK TECHNICAL DRAWINGS VOLUMES 1 & 2, THIRD EDITION (2002)	NAME	DATE	TITLE
	CE RJC	02/28/18	4X8 PLATFORM EXT KIT, W/2 15FT HELICAL
	RW		
	RV		
	AD		
RE TP	02/28/18	SCALE	DOCUMENT NO.
ECN 8000028653	1:20	MTC3982G1512	
SIZE	WORK AREA	MODEL	
C		VERSION	STATUS
		REVISION	REVISION
		VERSION	STATUS
		DRAWING	SHEET
		A	1 OF 4

4

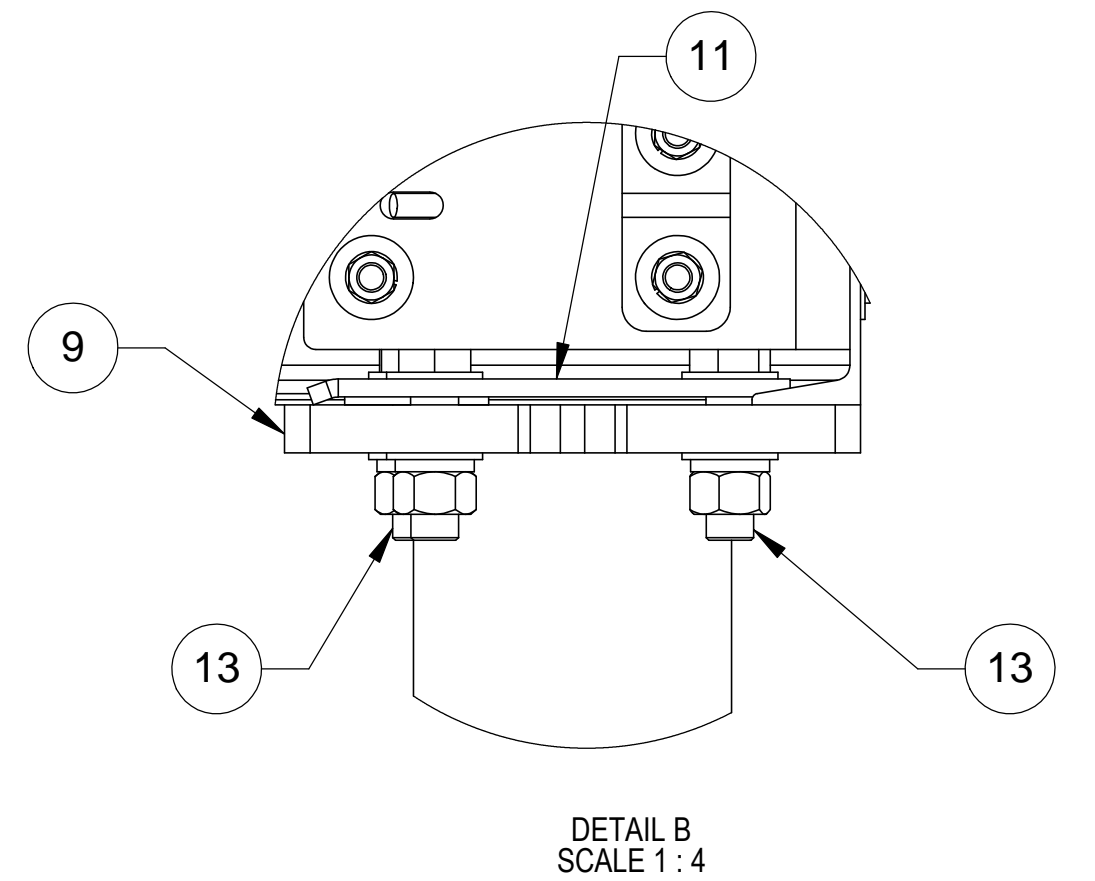
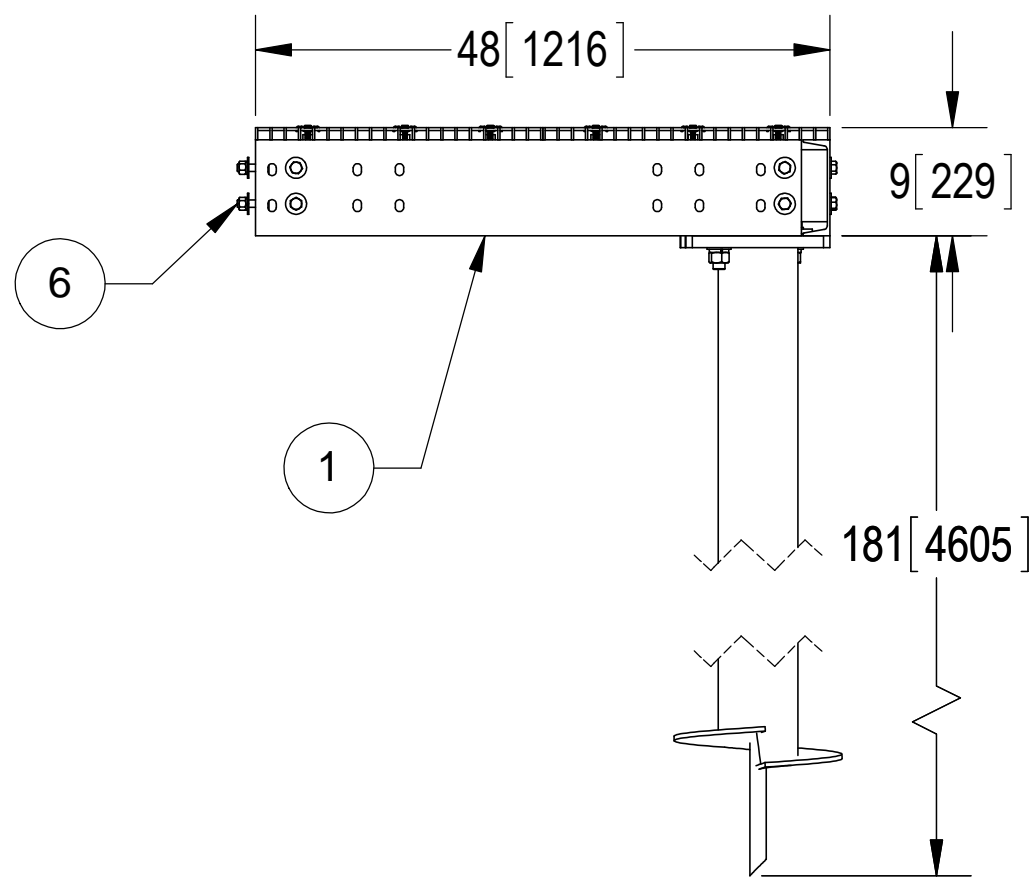
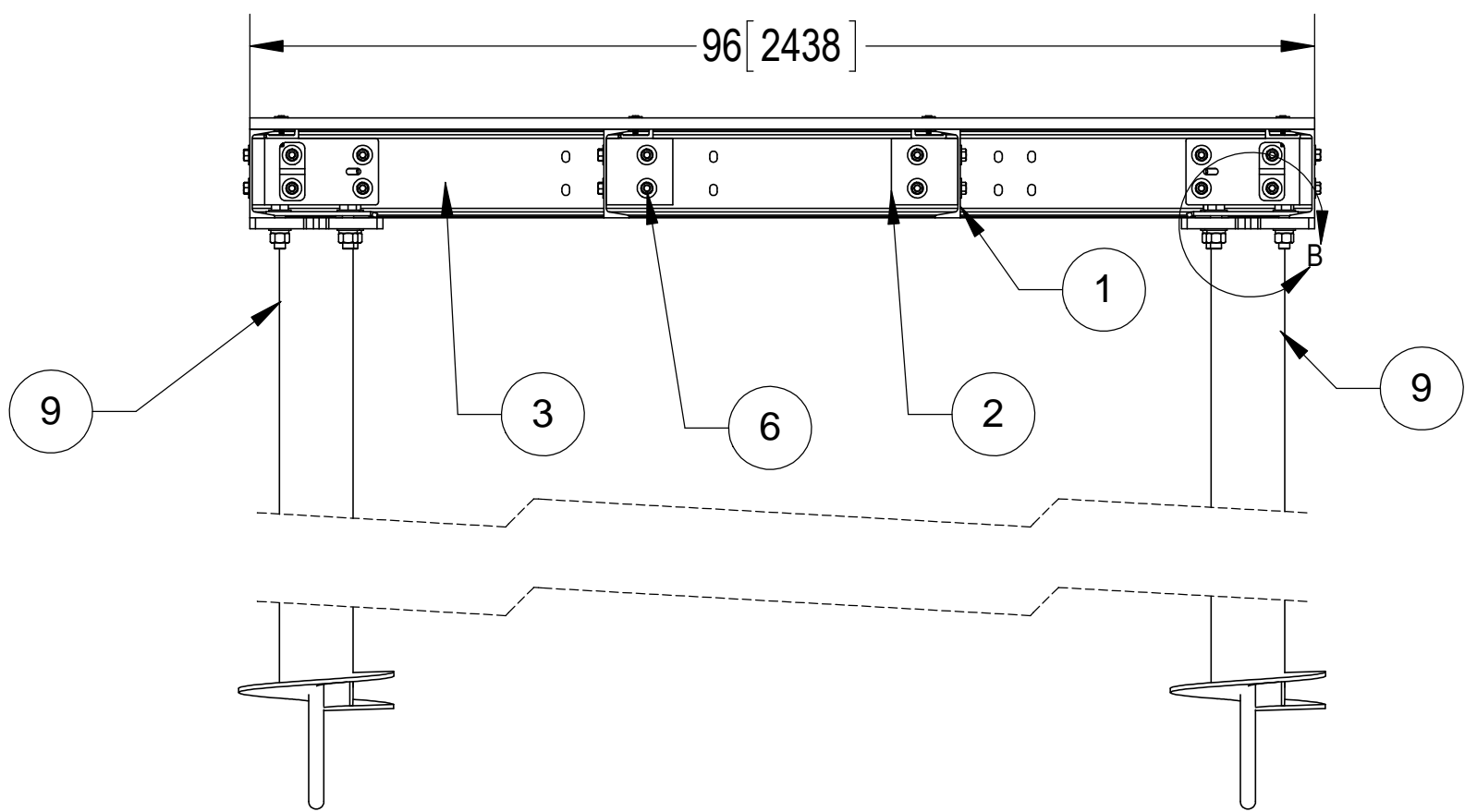
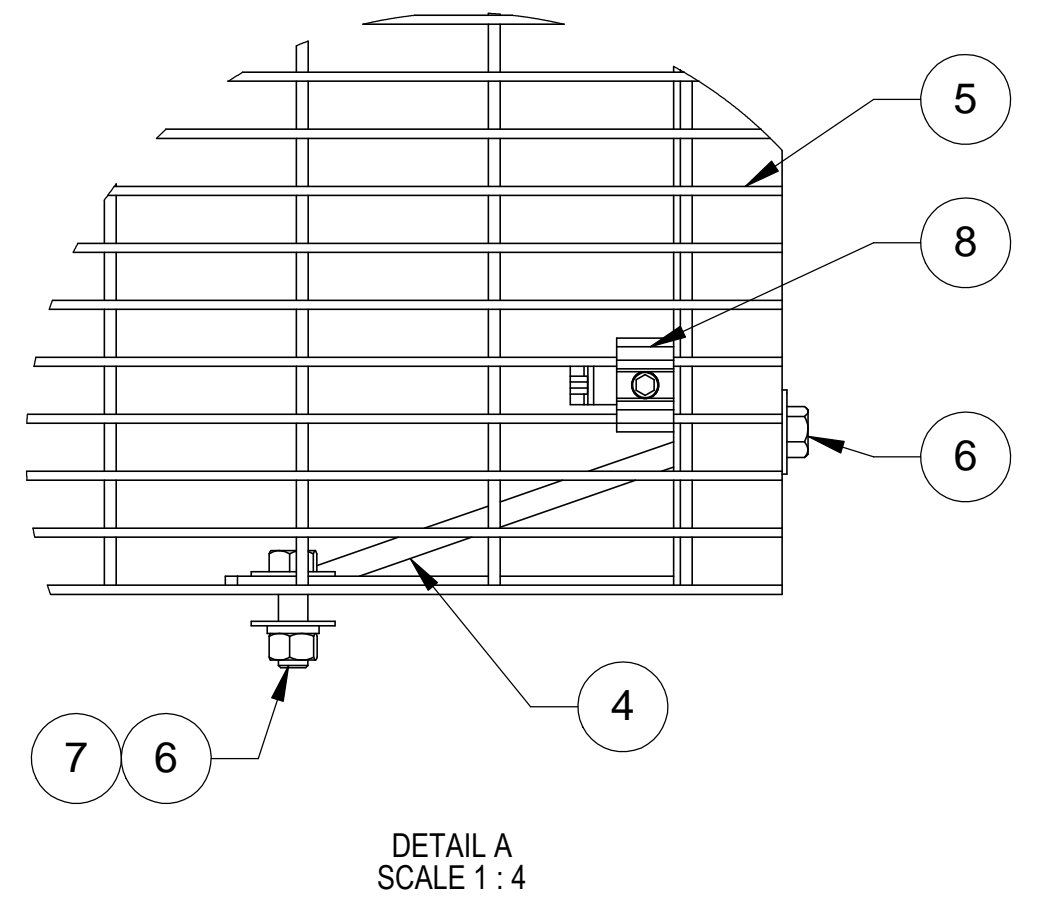
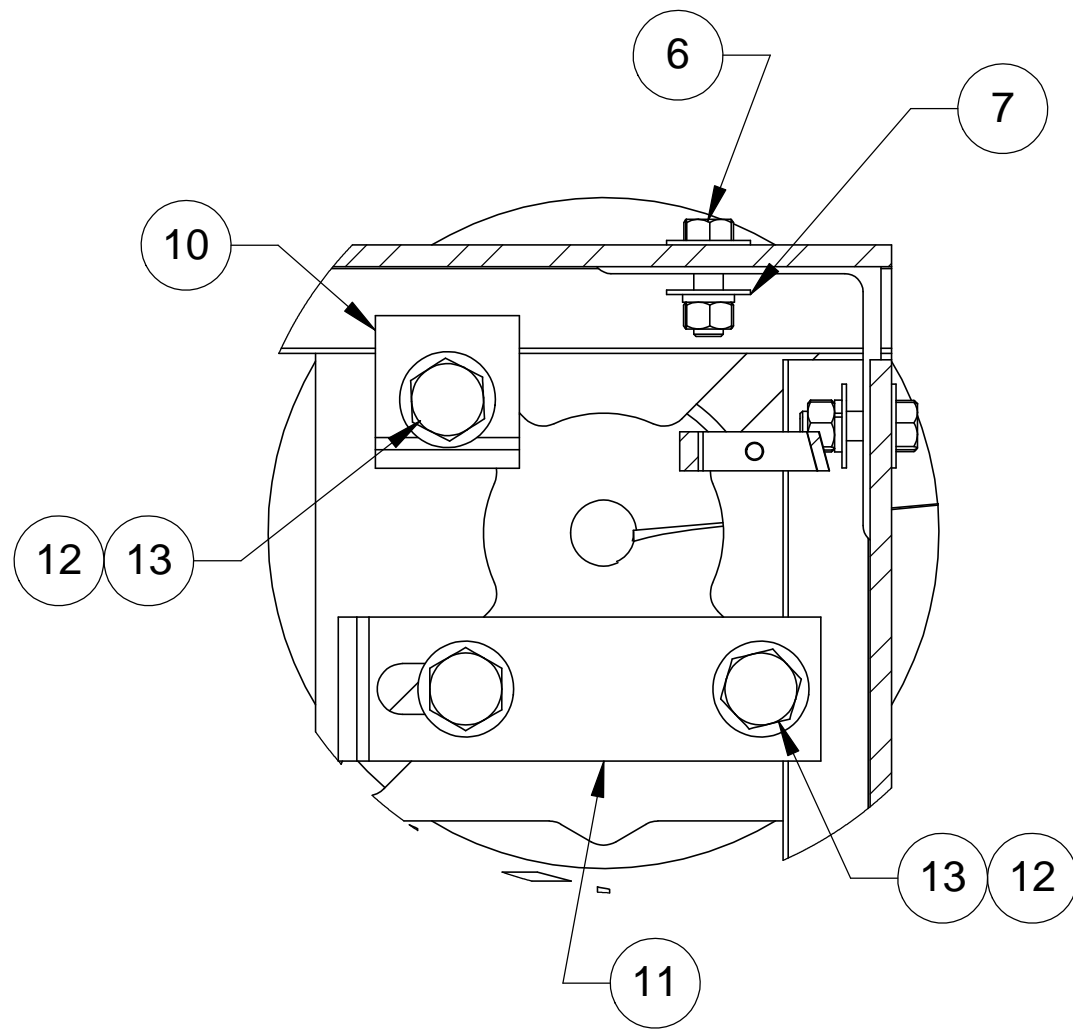
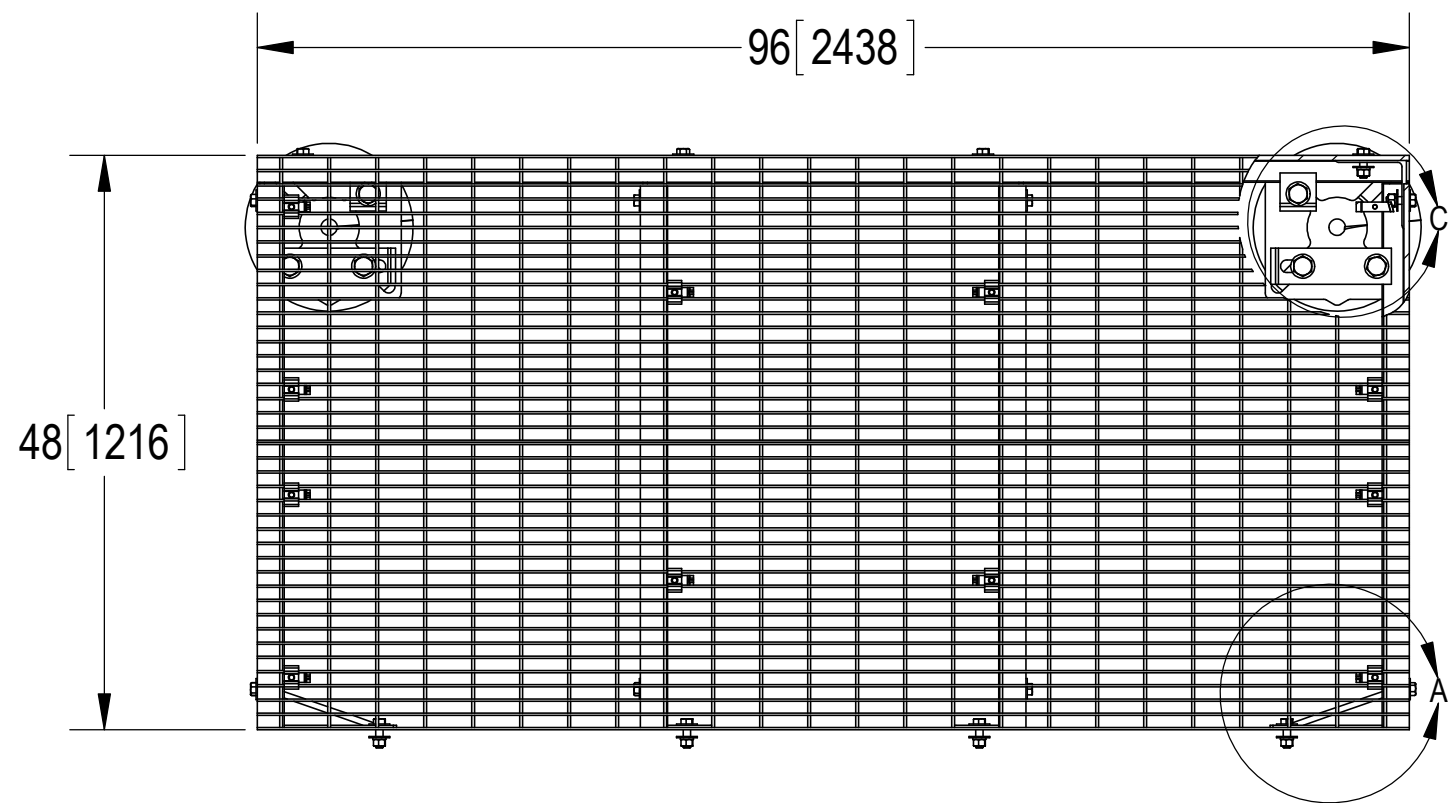
3

2

1

NOTES:

1.0 ALL METRIC DIMENSIONS ARE IN BRACKETS.



COMMSCOPE, INC. OF NORTH CAROLINA				
TITLE				
4X8 PLATFORM EXT KIT, W/2 15FT HELICAL				
SIZE	SCALE	DOCUMENT NO.		
C	1:16	MTC3982G1512		
		DRAWING		SHEET
		VERSION	STATUS	REVISION
				A
				2 OF 4

© 2015 CommScope, Inc. Confidential

4

3

2

1

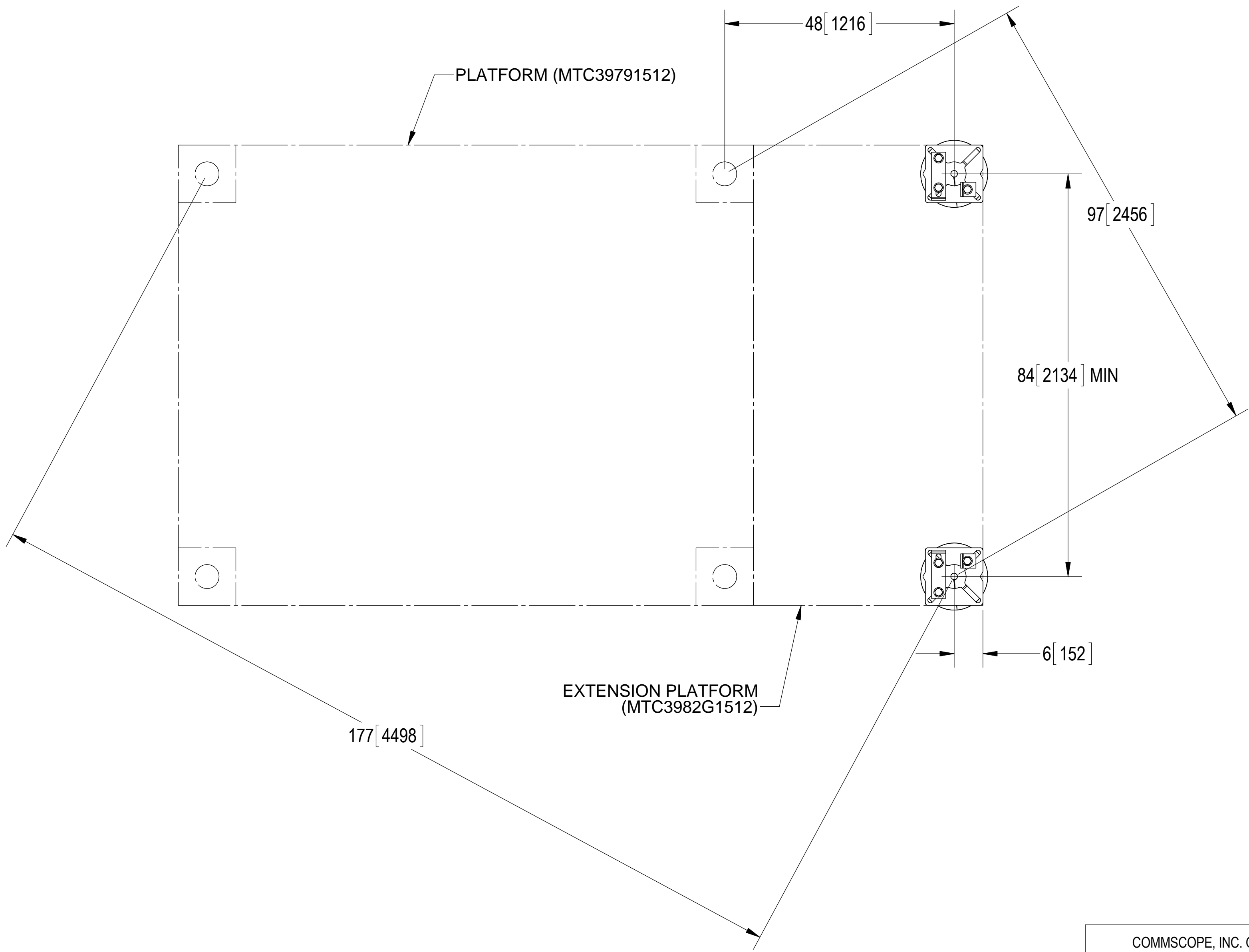
4

3

2

1

NOTES:
1.0 ALL METRIC DIMENSIONS ARE IN BRACKETS.



**TOP VIEW OF HELICAL LOCATIONS
MOUNTED IN THE CORNERS OF THE PLATFORM**

COMMSCOPE, INC. OF NORTH CAROLINA			
TITLE			
4X8 PLATFORM EXT KIT, W/2 15FT HELICAL			
SIZE	SCALE	DOCUMENT NO.	
C	1:16	MTC3982G1512	
DRAWING			SHEET
VERSION	STATUS	REVISION	3 OF 4
		A	

© 2015 CommScope, Inc. Confidential

4

3

2

1

D

D

C

C

B

B

A

A

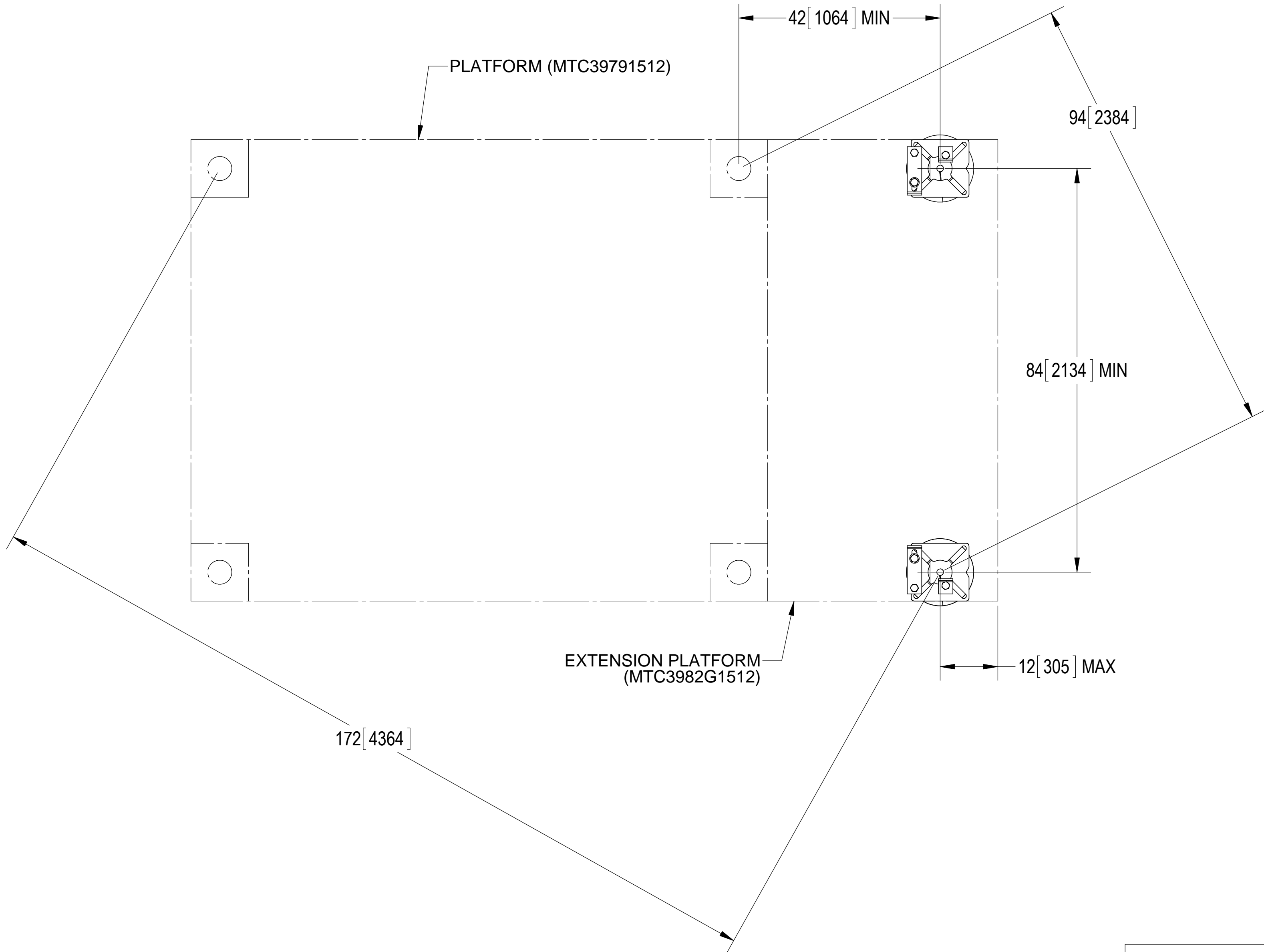
4

3


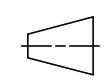
2

1

NOTES:
1.0 ALL METRIC DIMENSIONS ARE IN BRACKETS.



TOP VIEW OF HELICAL LOCATIONS MOUNTED IN FROM CORNERS OF THE PLATFORM

COMMSCOPE, INC. OF NORTH CAROLINA				
TITLE				
4X8 PLATFORM EXT KIT, W/2 15FT HELICAL				
SIZE	SCALE	DOCUMENT NO.		
C	1:16	MTC3982G1512		
 		DRAWING		SHEET
		VERSION	STATUS	
				A
				4 OF 4

4

3

2

1