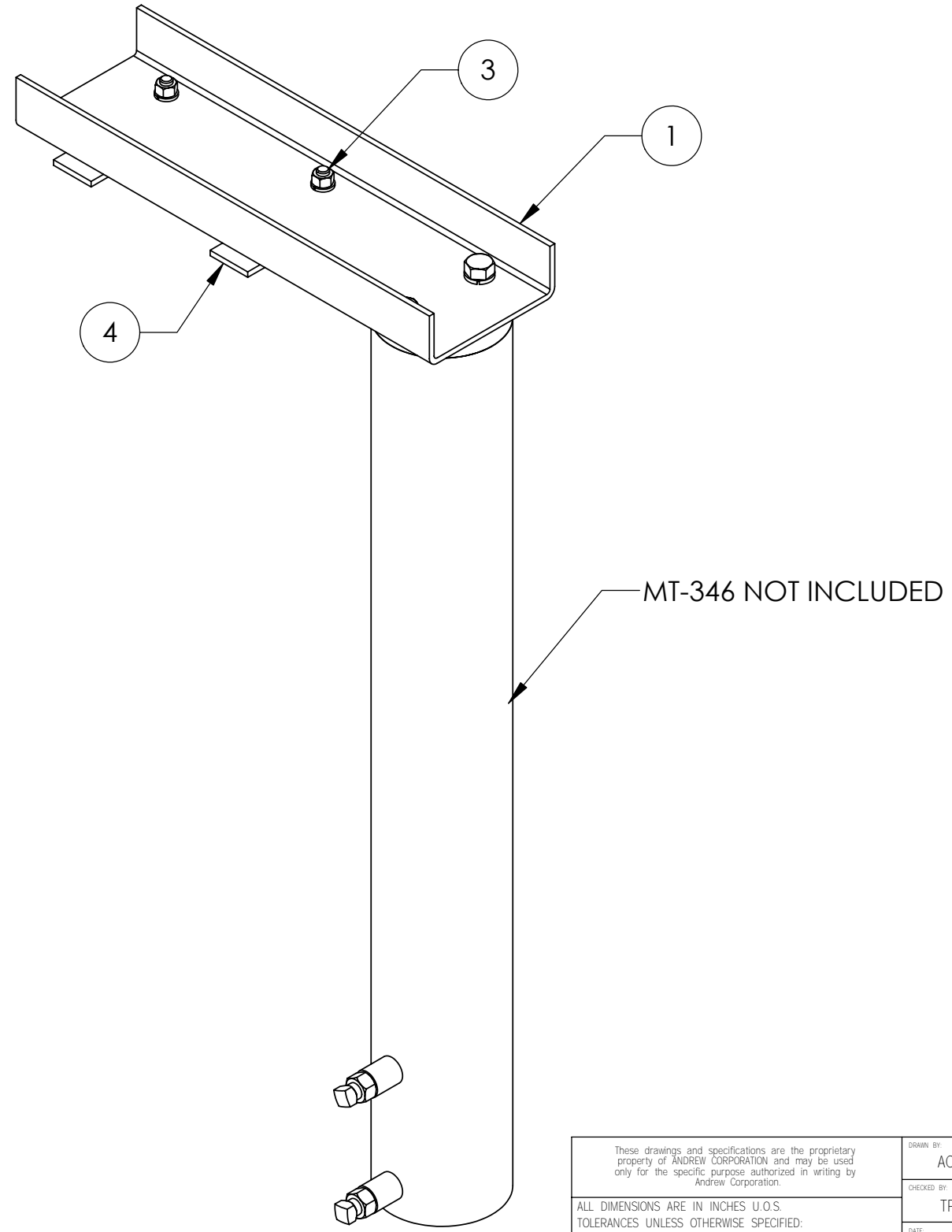



ITEM	PART NO.	DESCRIPTION	QTY.	WEIGHT
1	MT347.01	SINGLE SUPPORT CHANNEL	1	6.93 LBS
2	MT347H	HARDWARE KIT (ITEMS 3-4)	1	
3	GB-03145	3/8" X 1-1/2" GALV BOLT KIT	4	0.07 LBS
4	MT-387	SQUARE WASHER, 1 1/2" X 1 1/2" W/ 7/16" HOLE	4	0.11 LBS

REVISIONS				
REV.	ZONE	DESCRIPTION	BY	DATE
A		INITIAL RELEASE	MA	04/27/01
B		CORRECTED PART NUMBER	MA	06/01/01



<small>These drawings and specifications are the proprietary property of ANDREW CORPORATION and may be used only for the specific purpose authorized in writing by Andrew Corporation.</small> ALL DIMENSIONS ARE IN INCHES U.O.S. TOLERANCES UNLESS OTHERWISE SPECIFIED: .X = ± .06      ANGLES      ±2° .XX = ± .03      FRACTIONS      ±1/32 .XXX = ± .010 REMOVE BURRS AND BREAK EDGES .005 DO NOT SCALE THIS PRINT	DRAWN BY: ACG CHECKED BY: TP DATE: 04/20/06 REVISION: B	SHEET: 1 of 1 SCALE: NTS MATERIAL: A36 FINISH: GALV A123 WEIGHT: 7.75 LBS	PART NUMBER: MT-347 DESCRIPTION: SINGLE SUPPORT CHANNEL KIT DRAWING TYPE: ASSEMBLY DRAWING  ORLAND PARK, IL. 60462 U.S.A.
--	--	---	---

NOTES:  
 1. ALL METRIC DIMENSIONS ARE IN BRACKETS.