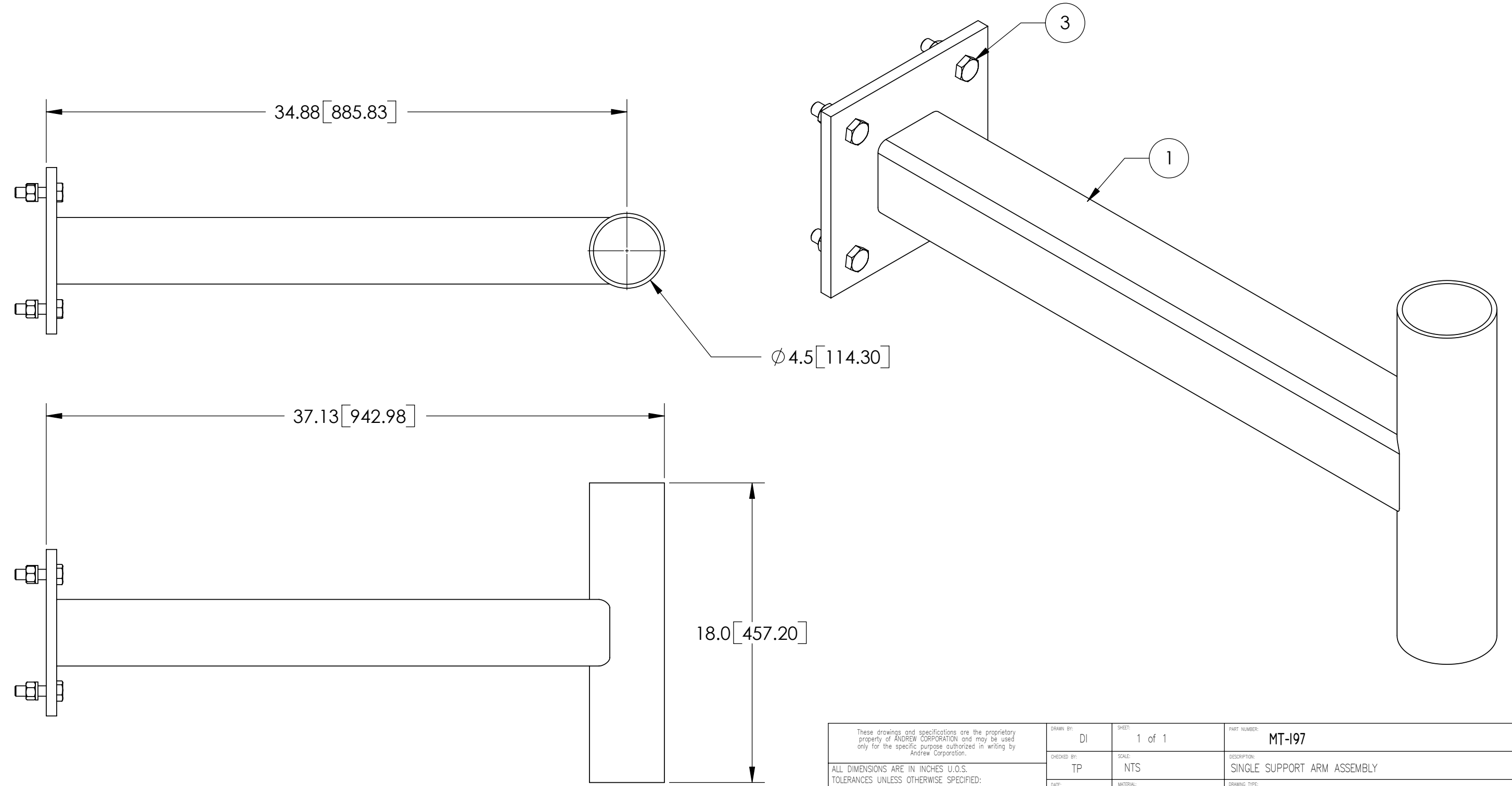



ITEM	PART NO.	DESCRIPTION	QTY.	WEIGHT
1	MT197.01	SINGLE SUPPORT ARM	1	65.98 LBS
2	MT197H	HARDWARE KIT (ITEM 3)	1	
3	GB-0524A	5/8" X 2-1/2" GALV. BOLT KIT (A325)	4	0.34 LBS

REVISIONS				
REV.	ZONE	DESCRIPTION	BY	DATE
A		INITIAL RELEASE	DI	1/17/05
B		UPDATE TOLERANCES	MSM	02/21/08



<small>These drawings and specifications are the proprietary property of ANDREW CORPORATION and may be used only for the specific purpose authorized in writing by Andrew Corporation.</small> ALL DIMENSIONS ARE IN INCHES U.O.S. TOLERANCES UNLESS OTHERWISE SPECIFIED: .X = ± .12 ANGLES ±2' .XX = ± .06 FRACTIONS ±1/32 .XXX = ± .03 REMOVE BURRS AND BREAK EDGES .005 DO NOT SCALE THIS PRINT	DRAWN BY:	DI	SHEET:	1 of 1	PART NUMBER:	MT-197
	CHECKED BY:	TP	SCALE:	NTS	DESCRIPTION:	SINGLE SUPPORT ARM ASSEMBLY
	DATE:	1/17/05	MATERIAL:	A36, A53, A500	DRAWING TYPE:	ASSEMBLY DRAWING
	REVISION:	B	FINISH:	GALV A123	 ORLAND PARK, IL. 60462 U.S.A.	
		WEIGHT:	67.69 LBS			