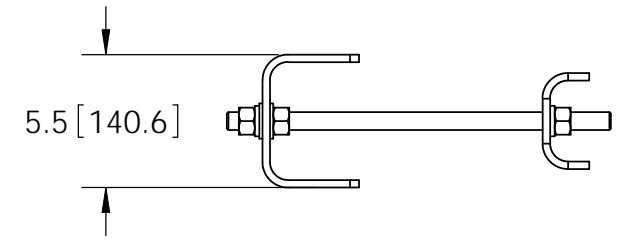
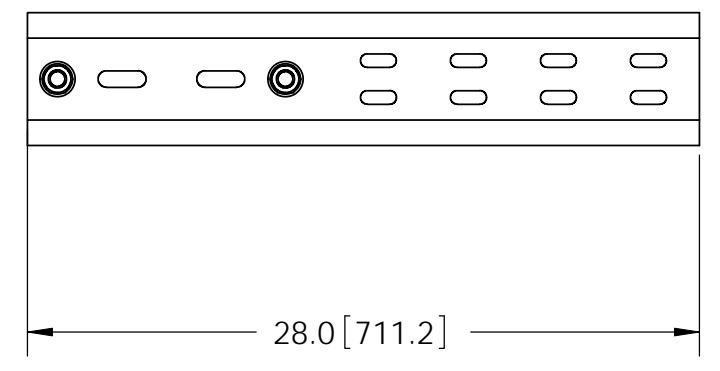
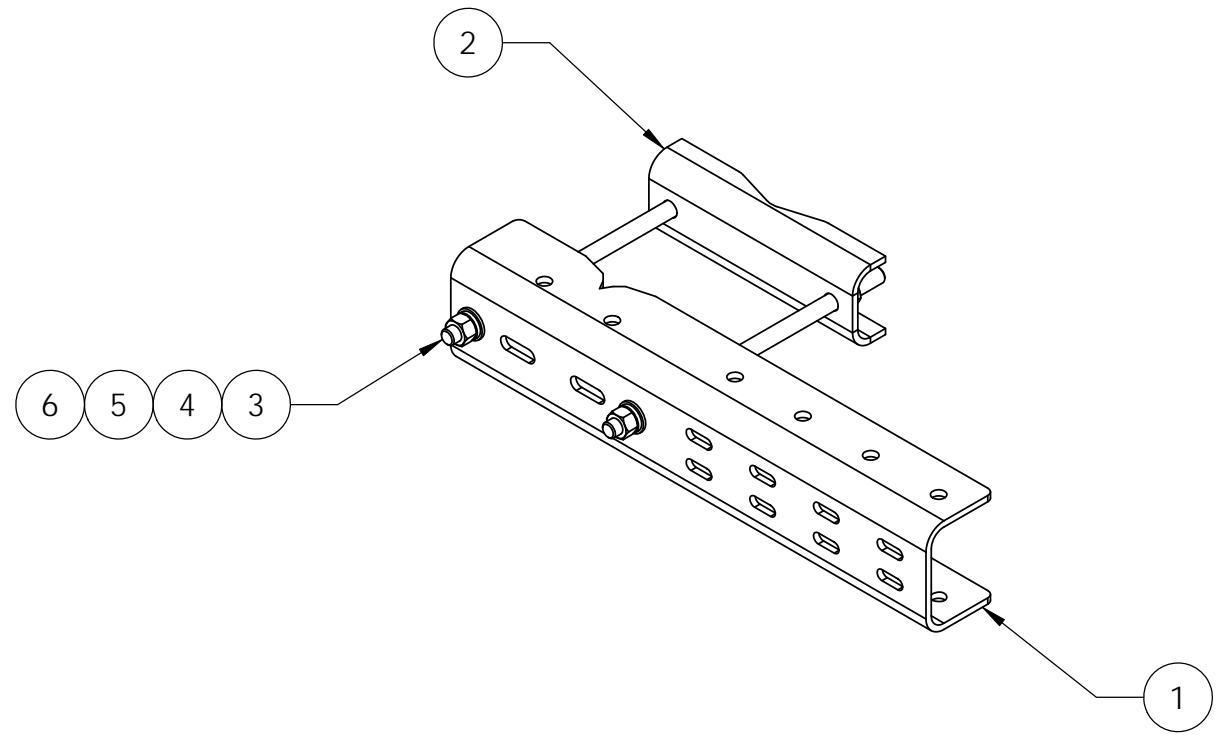
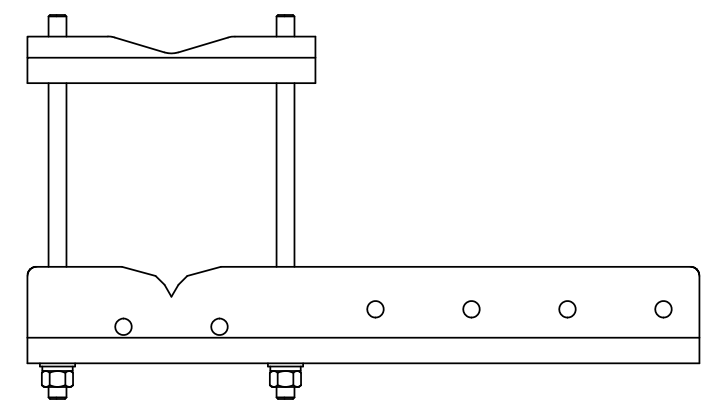



ITEM	PART NO.	DESCRIPTION	QTY.	WEIGHT
1	MDVSS01	Microwave Dish Vertical Strut Support Bracket	1	28.48 LBS
2	SMU2080.06	CLAMP PLATE	1	6.43 LBS
3	MT38416	3/4" X 16" GALV THREADED ROD	2	0.37 LBS
4	GWF-06	3/4" GALV FLAT WASHER	4	0.04 LBS
5	GWL-06	3/4" GALV LOCK WASHER	4	0.00 LBS
6	GN-06	3/4" GALV HEX NUT	6	0.01 LBS

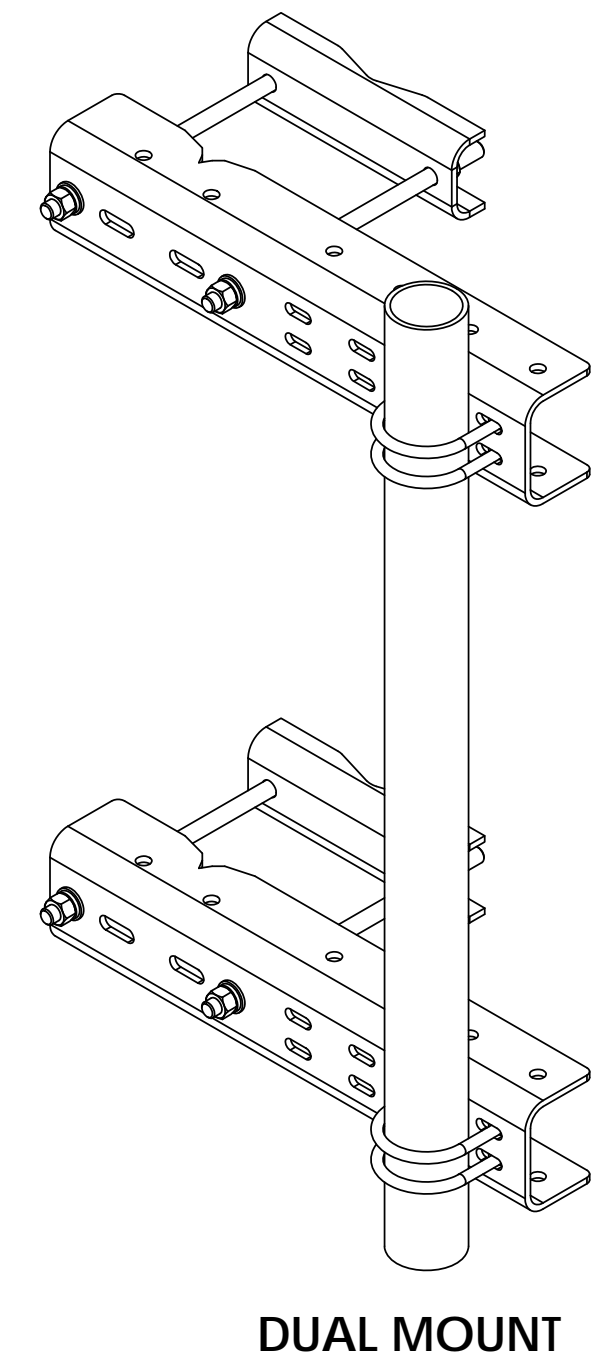
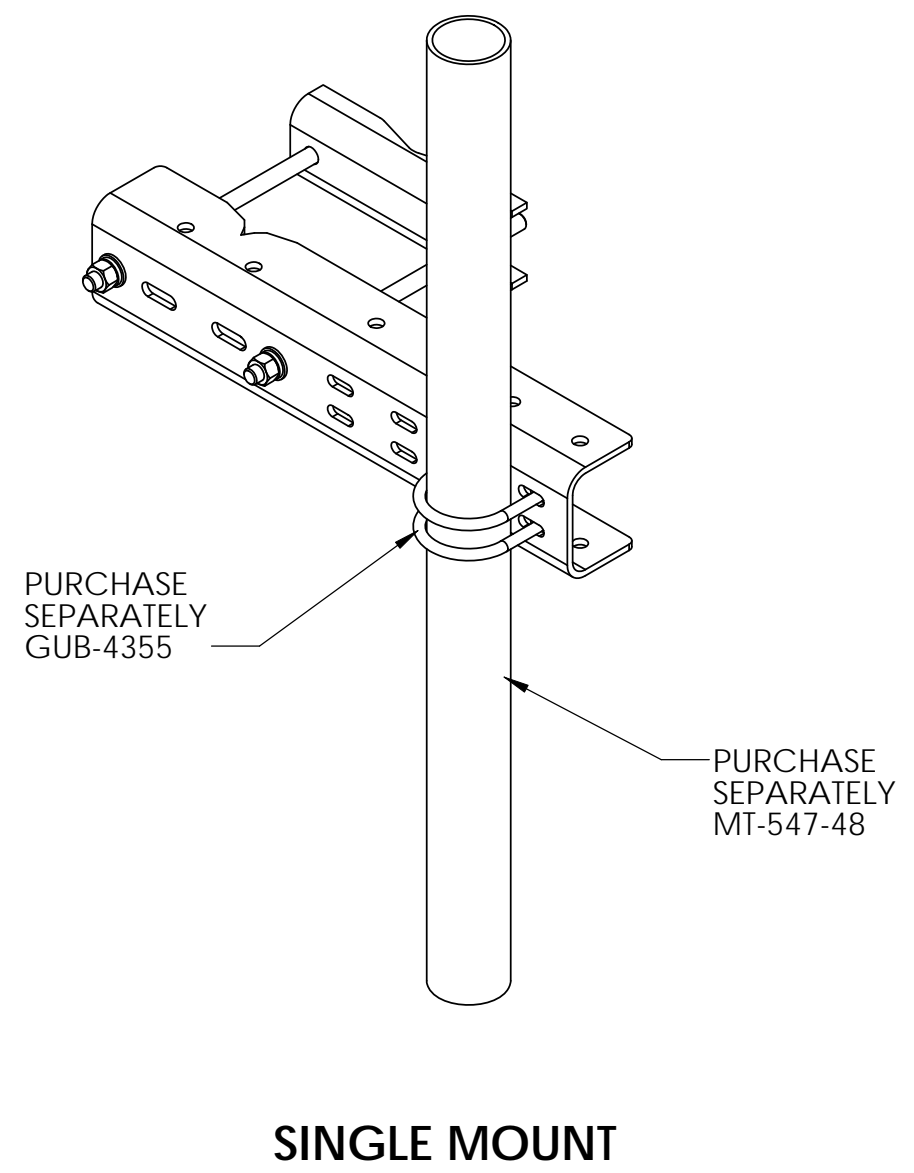
REVISIONS				
REV.	ZONE	DESCRIPTION	BY	DATE
A		INITIAL RELEASE	MSM	04/27/11




NOTES:
 1. ALL METRIC DIMENSIONS ARE IN BRACKETS.

<small>These drawings and specifications are the proprietary property of ANDREW CORPORATION and may be used only for the specific purpose authorized in writing by Andrew Corporation.</small> <small>ALL DIMENSIONS ARE IN INCHES U.O.S.</small> <small>TOLERANCES UNLESS OTHERWISE SPECIFIED:</small> .X = ± .12 ANGLES ±2° .XX = ± .06 FRACTIONS ±1/32 .XXX = ± .03 <small>REMOVE BURRS AND BREAK EDGES .005</small>	<small>DRAWN BY:</small> MSM	<small>SHEET:</small> 1 of 2	<small>PART NUMBER:</small> MD-VSS-B
	<small>CHECKED BY:</small> TP	<small>SCALE:</small> NTS	<small>DESCRIPTION:</small> Microwave Dish Vertical Strut Support
	<small>DATE:</small> 04/27/11	<small>MATERIAL:</small> A36	<small>DRAWING TYPE:</small> ASSEMBLY DRAWING
	<small>REVISION:</small> A	<small>FINISH:</small> GALV A123	 WESTCHESTER, IL. 60154 U.S.A.
<small>DO NOT SCALE THIS PRINT</small>		<small>WEIGHT:</small> 40.07 LBS	

MOUNTING OPTIONS



These drawings and specifications are the proprietary property of ANDREW CORPORATION and may be used only for the specific purpose authorized in writing by Andrew Corporation. ALL DIMENSIONS ARE IN INCHES U.O.S. TOLERANCES UNLESS OTHERWISE SPECIFIED: .X = ± .12 ANGLES ±2° .XX = ± .06 FRACTIONS ±1/32 .XXX = ± .03 REMOVE BURRS AND BREAK EDGES .005 DO NOT SCALE THIS PRINT	DRAWN BY: MSM	SHEET: 2 of 2	PART NUMBER: MD-VSS-B
	CHECKED BY: TP	SCALE: NTS	DESCRIPTION: Microwave Dish Vertical Strut Support
	DATE: 04/27/11	MATERIAL: A36	DRAWING TYPE: ASSEMBLY DRAWING
	REVISION: A	FINISH: GALV A123	 WESTCHESTER, IL. 60154 U.S.A.
	WEIGHT: 40.07 LBS		