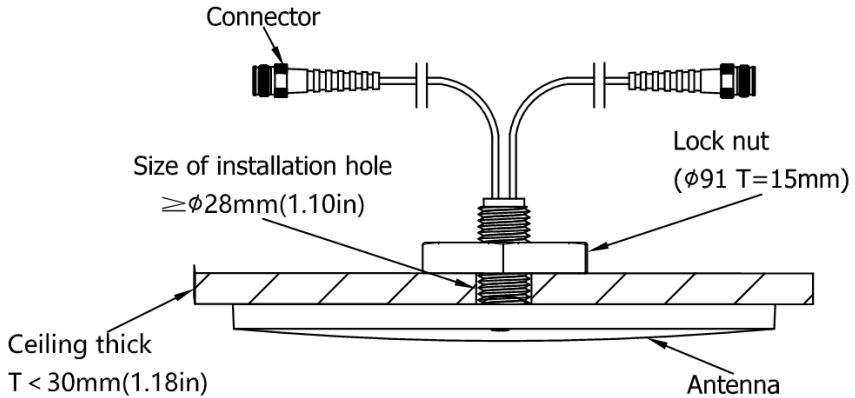


**INSTALLATION INSTRUCTION FOR
CMAX-OMF6-43-UWI53**

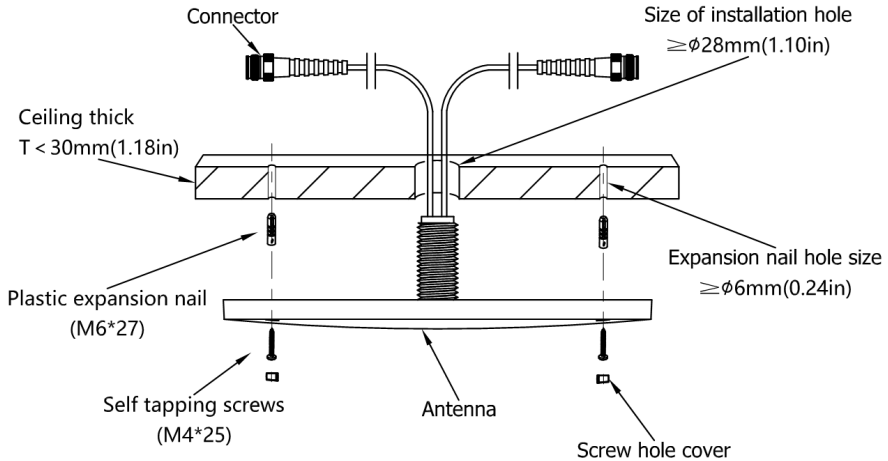
Method 1



Installation Steps

- 1) Cut a hole in the ceiling tile with the diameter shown above.
- 2) Remove the retaining nut from the back of the antenna.
- 3) Feed these two pigtails of this antenna through the hole in the ceiling tile.
- 4) Re-install the retaining nut so that it is close-fitting to the ceiling tile.

Method 2



Installation Steps

- 1) Position and drill three screw holes of specified size.
- 2) Put plastic expansion pins in the M6 holes first.
- 3) Feed these two pigtails of this antenna through the hole in the ceiling tile.
- 4) Use M4*25 self-tapping screws to lock the antenna to the ceiling according to the corresponding hole position.
- 5) Then cover the screw hole cover.

© Copyright 2019 CommScope, Inc.

All rights reserved.

All information contained in this manual has been revised thoroughly. Yet CommScope accepts no liability for any omissions or faults.

CommScope reserves the right to change all hardware and software characteristics without notice.

Names of products mentioned herein are used for identification purposes only and may be trademarks and / or registered trademarks of their respective companies.

No parts of this publication may be reproduced, stored in a retrieval system, transmitted in any form or by any means, electrical, mechanical photocopying, recording or otherwise, without prior written permission of the publisher.

CommScope, 07-June-2019