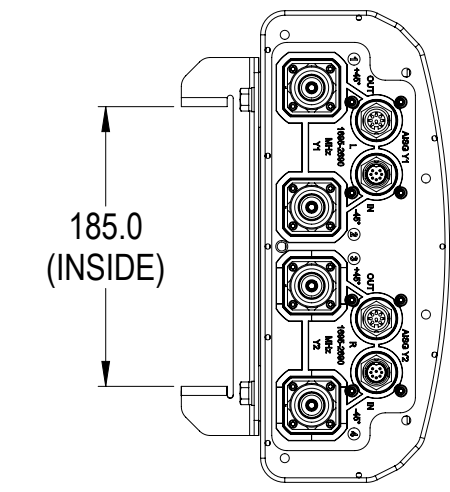
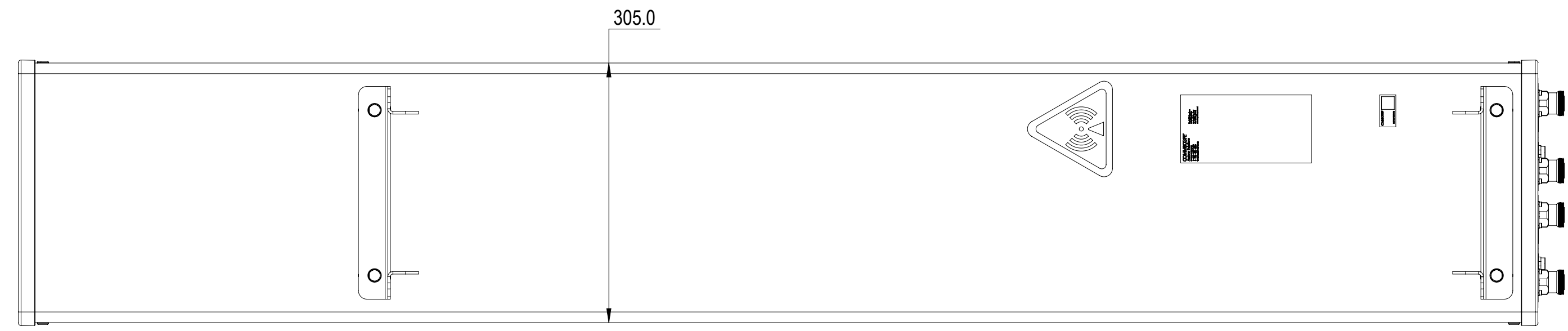
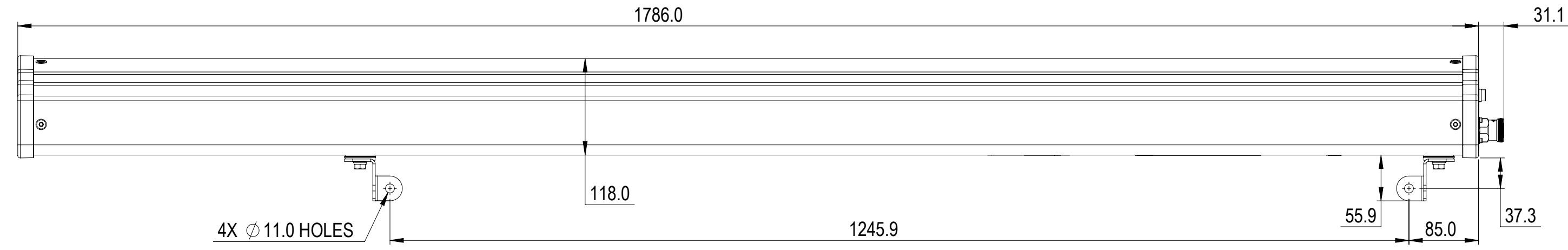


NOTES:

REVISIONS			
REV.	DESCRIPTION	DATE	APPROVED
A	ECR 8000010578: RELEASE TO PRODUCTION PER EAO 603109.	09DEC15 L.Z	LMS / L.TIAN



VV-65B-R2

COMMSCOPE, INC. OF NORTH CAROLINA										
TOLERANCES					SAP MATERIAL MASTER					
0 PLACE X ±		2 PLACE .XX ±								
1 PLACE .X ±		ANGLES ±								
FINISH					MATERIAL					
PRODUCT DRAWING										
NAME		DATE		TITLE						
CE	LZ	09DEC15								
RW	LZ1032	12/10/2015								
RV	ML1035	12/10/2015								
AD	LT1008	12/11/2015								
RE	LONEWSOM	12/11/2015								
ECN 8000010578-O				SCALE		DOCUMENT NO.				
				1:5		VV-65B-R2-L				
SIZE		WORK AREA		MODEL		DRAWING				
A2		23		VERSION		STATUS		REVISION		SHEET
				00		RE		A		1 OF 1

DENSITY	g/mm ³
MASS	grams
VOLUME	mm ³
SURFACE AREA	mm ²
HEIGHT	
LENGTH	
WIDTH	

© 2015 CommScope, Inc. Confidential