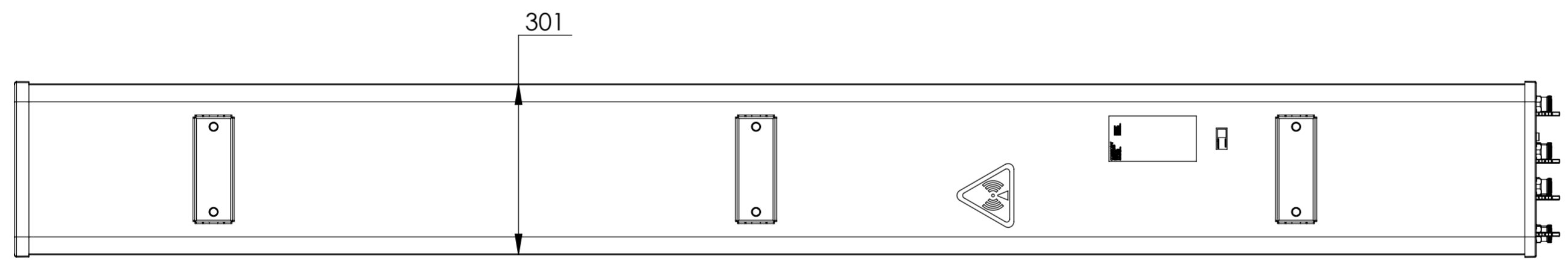
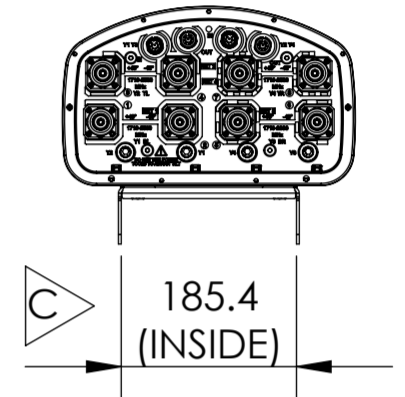
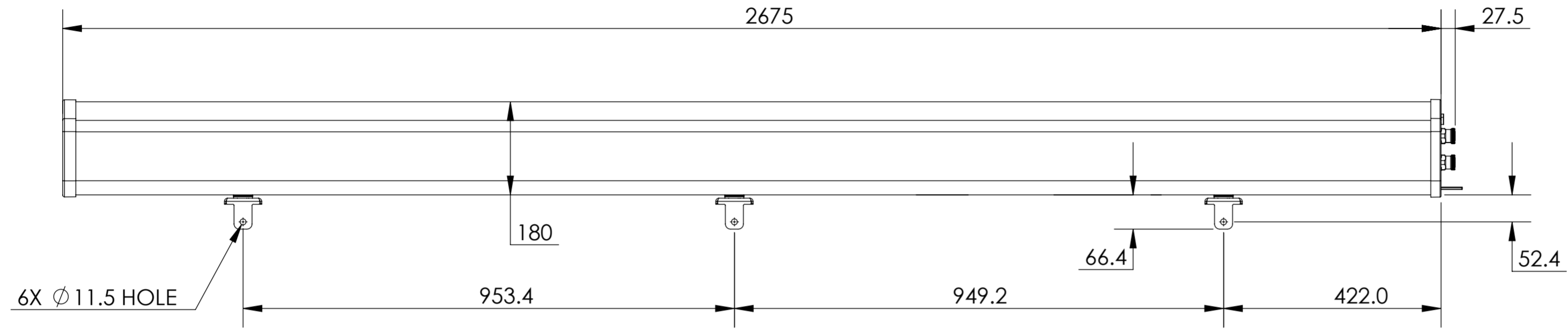


NOTES:

REVISIONS			
REV.	DESCRIPTION	DATE	APPROVED
A	ECR 8000022832: RELEASE TO PRODUCTION PER EAO 603761.	31MAY17 LS	NJ/KKS
B	ECR 8000029876: UPDATE DRAWING WITH LATEST MODEL.	29MAY18 RY	VP/VS
C	ECR 8000038187: MODEL & VIEW UPDATED.	19NOV19 AT	VP/KKS



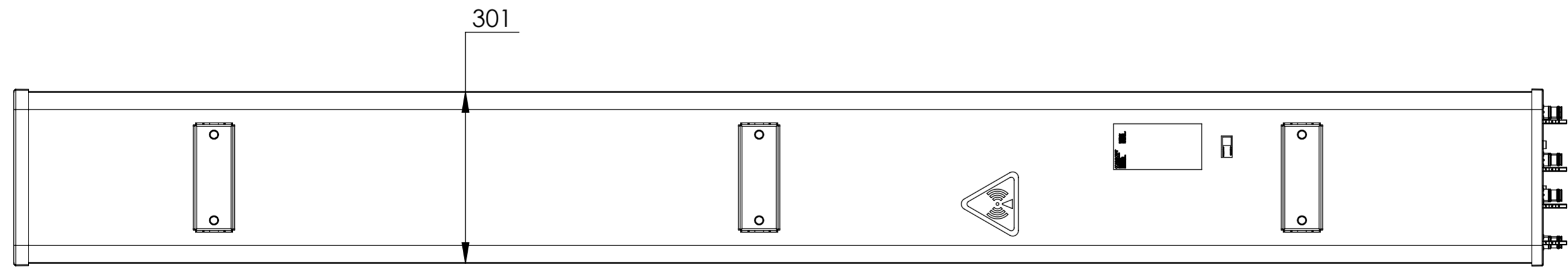
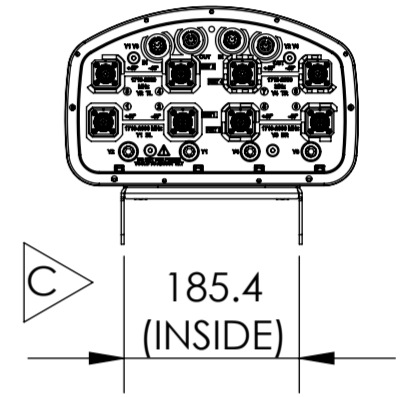
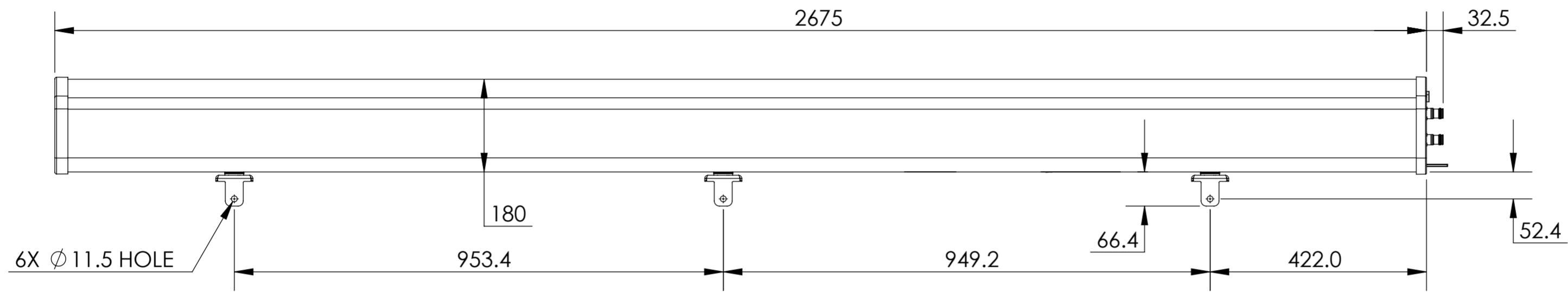
C V4-65D-R4

COMMSCOPE, INC. OF NORTH CAROLINA									
TOLERANCES					SAP MATERIAL MASTER				
0 PLACE X ±		2 PLACE .XX ±							
1 PLACE .X ±		ANGLES ±							
FINISH					MATERIAL				
<small>UNLESS OTHERWISE SPECIFIED DIMENSIONS ARE IN MILLIMETERS INTERPRET PER ISO STANDARDS HANDBOOK TECHNICAL DRAWINGS VOLUMES 1 & 2, THIRD EDITION (2002)</small>	NAME		DATE		TITLE				
	CE	SL1039	31MAY17		PRODUCT DRAWING				
	RW	AT1078	11/22/2019						
	RV	VP1040	11/30/2019						
	AD	KK1054	12/02/2019						
RE	AC1095	12/02/2019							
ECN 8000038187-O					SCALE		DOCUMENT NO.		
					1:8		V4-65D-R4-L		
SIZE		WORK AREA		MODEL		DRAWING			SHEET
A2		23		VERSION		STATUS		REVISION	REVISION
				04		RE		E	02
								RE	C
HEIGHT		LENGTH		WIDTH					

DENSITY	g/mm ³
MASS	grams
VOLUME	mm ³
SURFACE AREA	mm ²

© 2017 CommScope, Inc.

SHEET
1 OF 2



C V4-65D-R4-V2

COMMSCOPE, INC. OF NORTH CAROLINA				
TITLE PRODUCT DRAWING				
SIZE A2	SCALE 1:8	DOCUMENT NO. V4-65D-R4-L		
DRAWING				SHEET
VERSION 02	STATUS RE	REVISION C	2 OF 2	