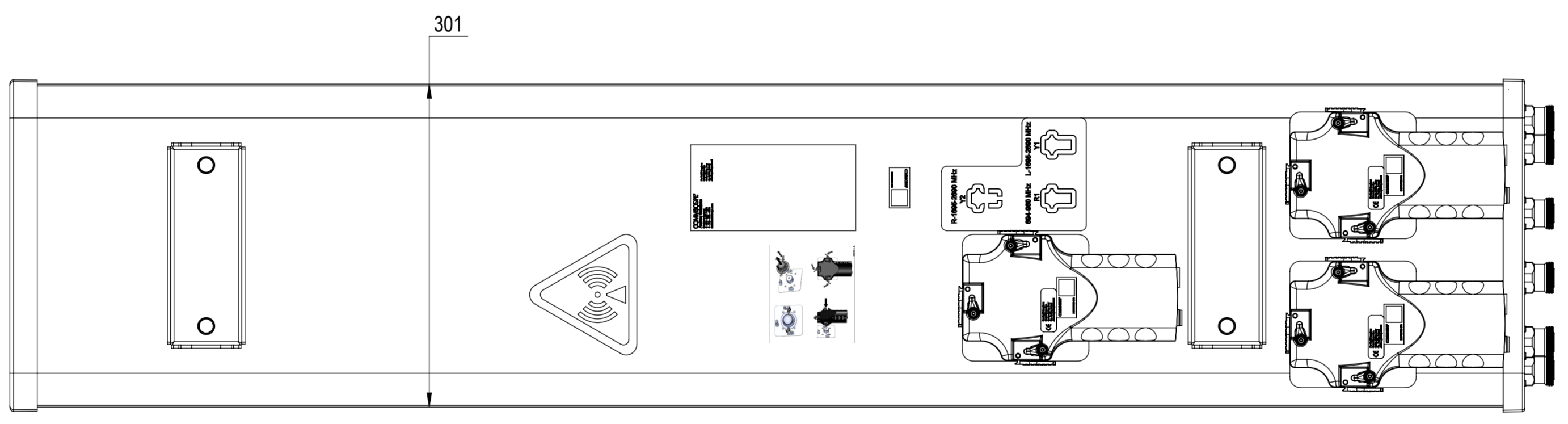
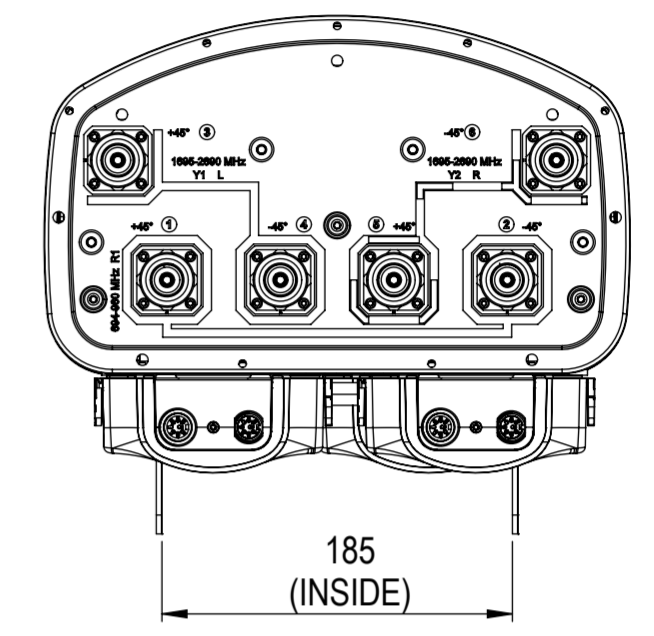
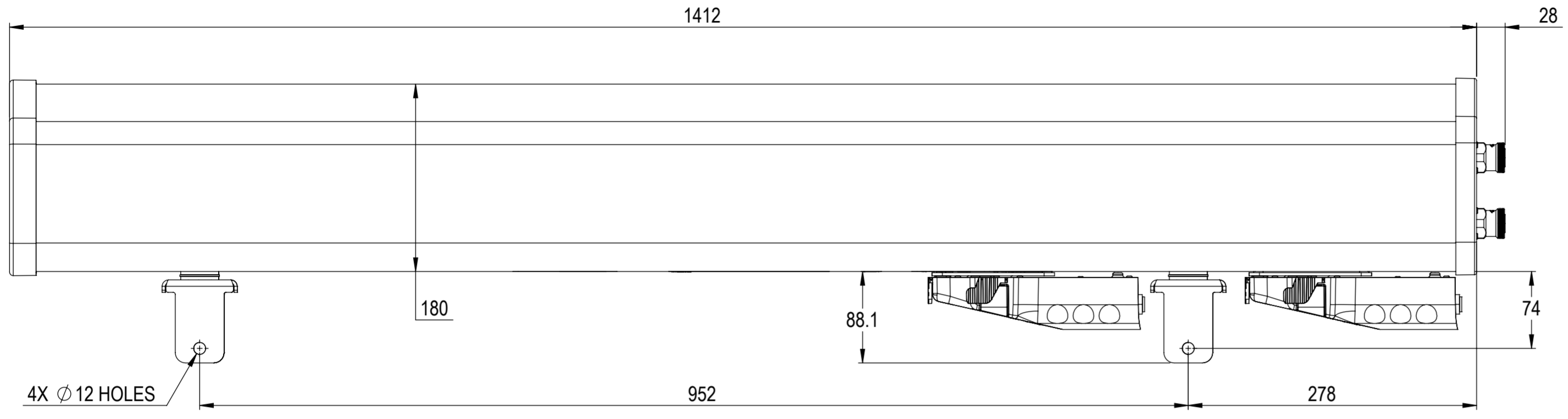


NOTES:

REVISIONS			
REV.	DESCRIPTION	DATE	APPROVED
A	ECR 8000013145: REL TO PRODUCTION PER EAO 603396.	12JUN16 MPP	MIN.SHEN/YZLI



RVV65A-R3-J

**COMMSCOPE, INC. OF NORTH CAROLINA**

TOLERANCES		SAP MATERIAL MASTER	
0 PLACE	X ±	2 PLACE	.XX ±
1 PLACE	.X ±	ANGLES	±
FINISH		MATERIAL	
<small>UNLESS OTHERWISE SPECIFIED DIMENSIONS ARE IN MILLIMETERS INTERPRET PER ISO STANDARDS HANDBOOK TECHNICAL DRAWINGS VOLUMES 1 &amp; 2, THIRD EDITION (2002)</small>		NAME	DATE
		CE	PM1000 06/12/2016
		RW	PM1000 06/21/2016
		RV	MS1061 06/22/2016
		AD	YL1022 06/22/2016
RE	LONEWSOM 06/23/2016	TITLE	
ECN 8000013145-O		<b>PRODUCT DRAWING</b>	
SIZE	WORK AREA 23	SCALE	DOCUMENT NO.
<b>A2</b>		<b>1:4</b>	<b>RVV65A-R3-J-L</b>
HEIGHT		MODEL	
LENGTH		VERSION	STATUS
WIDTH		RE	RE
		REVISION	REVISION
		A	A
		DRAWING	
		VERSION	STATUS
		00	RE
		REVISION	REVISION
		A	A
		SHEET	
		1 OF 1	