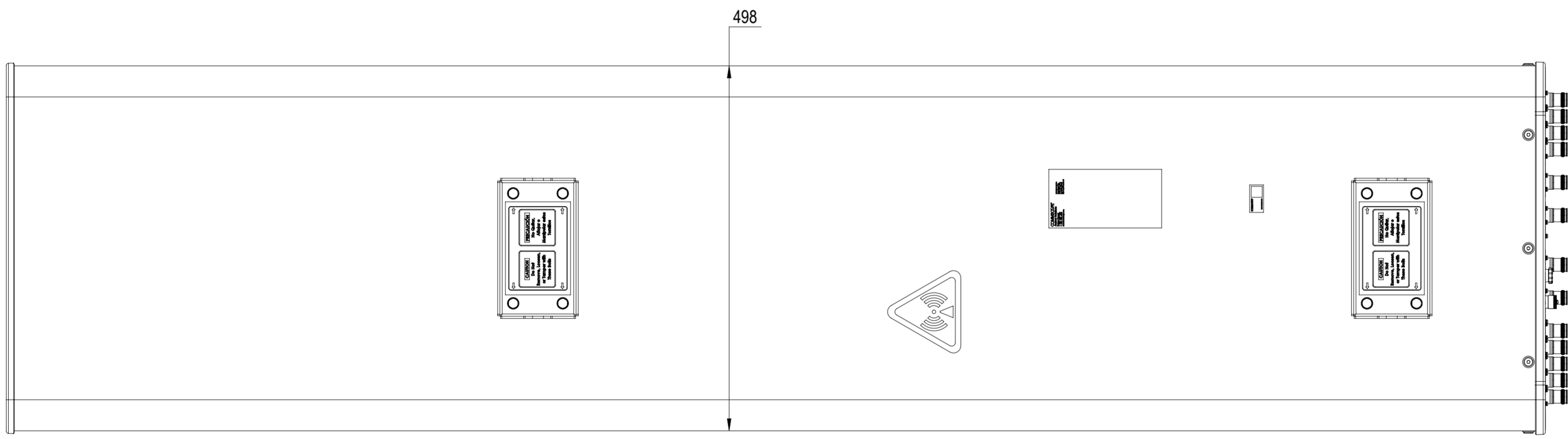
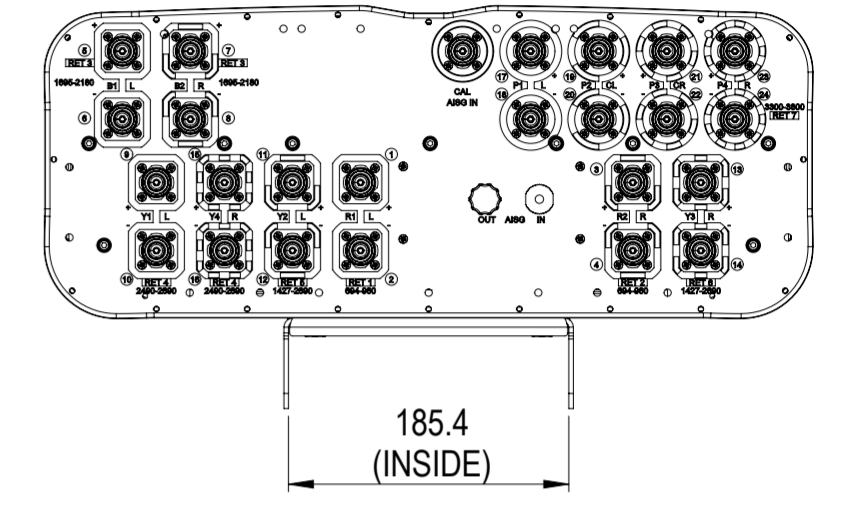
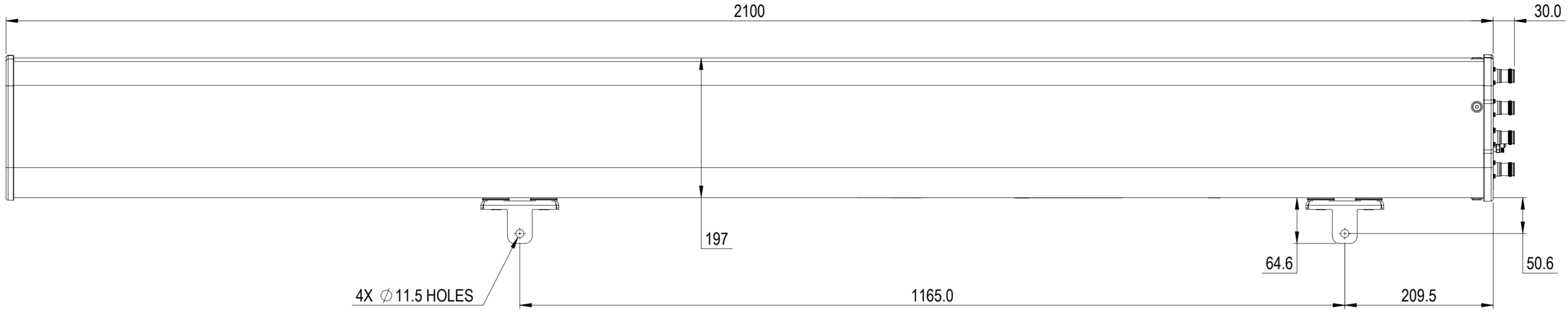


REVISIONS			
REV.	DESCRIPTION	DATE	APPROVED
A	ECR 8000032900: RELEASE TO PRODUCTION PER EAO 605963.	23MAR19 HWN	KDI / LFS



RRZZHHTTS4-65B-R7

COMMSCOPE, INC. OF NORTH CAROLINA

TOLERANCES		SAP MATERIAL MASTER	
0 PLACE	X ±	2 PLACE	.XX ±
1 PLACE	.X ±	ANGLES	±
FINISH		MATERIAL	
<small>UNLESS OTHERWISE SPECIFIED DIMENSIONS ARE IN MILLIMETERS INTERPRET PER ISO STANDARDS HANDBOOK TECHNICAL DRAWINGS VOLUMES 1 & 2, THIRD EDITION (2002)</small>		NAME	DATE
		CE HWN	2019-01-18
		RW WH1034	04/17/2019
		RV KDI	04/18/2019
		AD YHUAN	04/18/2019
RE BYUAN	04/22/2019	TITLE	
ECN 8000032900-O		PRODUCT DRAWING	
SCALE	1:5	DOCUMENT NO.	
		RRZZHHTTS4-65B-R7-L	
SIZE	WORK AREA	23	MODEL
A2			VERSION
		00	STATUS
		RE	REVISION
		A	VERSION
		00	STATUS
		RE	REVISION
		A	DRAWING
		00	VERSION
		RE	STATUS
		A	REVISION
		SHEET	
		1 OF 1	

DENSITY	g/mm ³
MASS	grams
VOLUME	mm ³
SURFACE AREA	mm ²